

| | | | | | |
|----------------------|-----------------------|------------------------|-----------------------|-----------------------|----------------------|
| SZ8060.2.V 5.17 | SZ8060.2.VB 5.18 | SZ8060.2.VZ 5.19 | SZ8060.2.PD 5.20 | SZ8063.1.V 5.27 | SZ8063.1.VB 5.29 |
| SZ8063.1.VZ 5.31 | SZ8063.1.PD 5.33 | SZ8065.2.V 5.39 | SZ8065.2.VB 5.41 | SZ8065.2.VZ 5.43 | SZ8066.2.V 5.50 |
| SZ8066.2.VB 5.52 | SZ7066.2.V 5.59 | SZ7066.2.VB 5.61 | SZ8080.2.V 5.68 | SZ8080.2.VB 5.70 | SZ7080.2.V 5.77 |
| SZ7080.2.VB 5.79 | SZ8085 5.86 | SZ8085-1 5.86 | SZ7046 5.87 | SZ7046 5.87 | SZ7045 5.88 |
| SZ8085.4 5.89 | SZ8085.6 5.89 | K100-000-0300 5.90 | SZ7045.9 5.90 | SZ7045.10 5.90 | SZ8079 5.91 |
| SZ8078 5.91 | ST8845-01-01 5.92 | ST8845-02-01 5.93 | ST8845-32-01 5.94 | ST8845-80-01 5.95 | ST8845-8 5.96 |
| ST8845-9 5.97 | ST8845-444 5.98 | ST8845-DW 5.99 | SZ701008 5.100 | SZ701108 5.101 | SZ701208 5.101 |
| SZ702006 5.102 | SZ701306 5.102 | SZ701406 5.103 | SZ701606 5.103 | SZ701506 5.104 | SZ701706 5.104 |

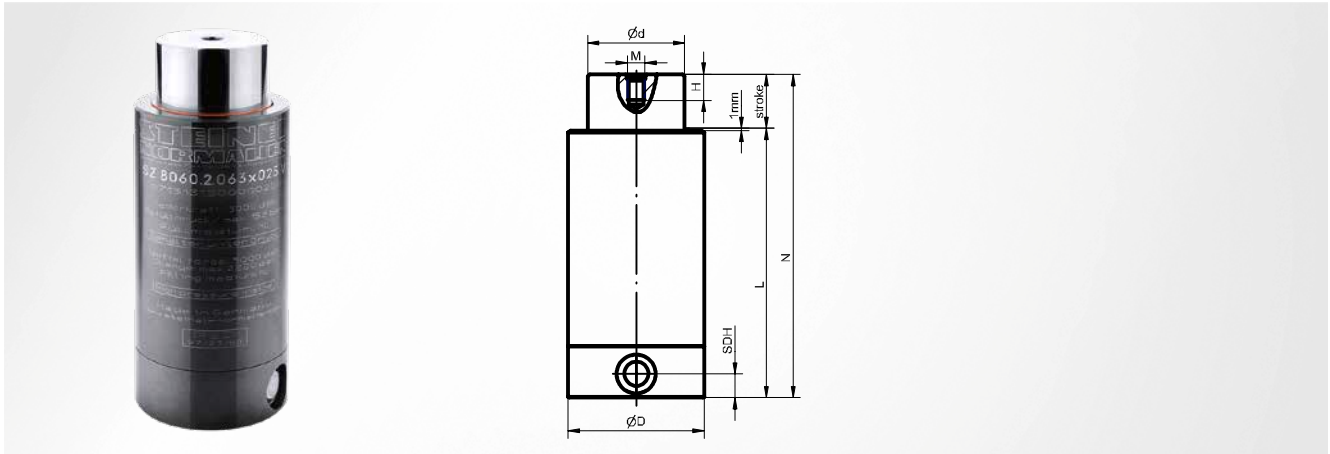


Gewinde-
formen

Modul-
systeme

Maschinen-
elemente

Zubehör



Base

Composite base

Burst protection

not integrated

Filling

carried out via composite system

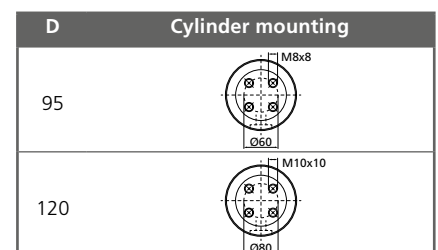
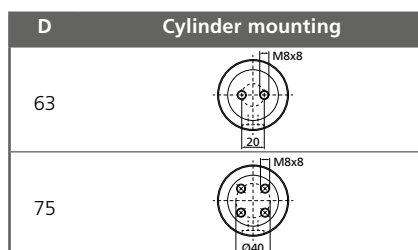
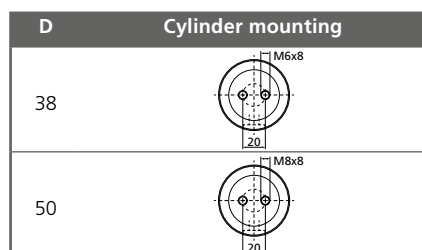
Delivery

will be supplied unfilled

Installation instruction

Spring is equipped to be connected on its side with G1/8 male stud couplings; filling is carried out via the connected control panel; SDH = the height of the lateral connection is 11 mm

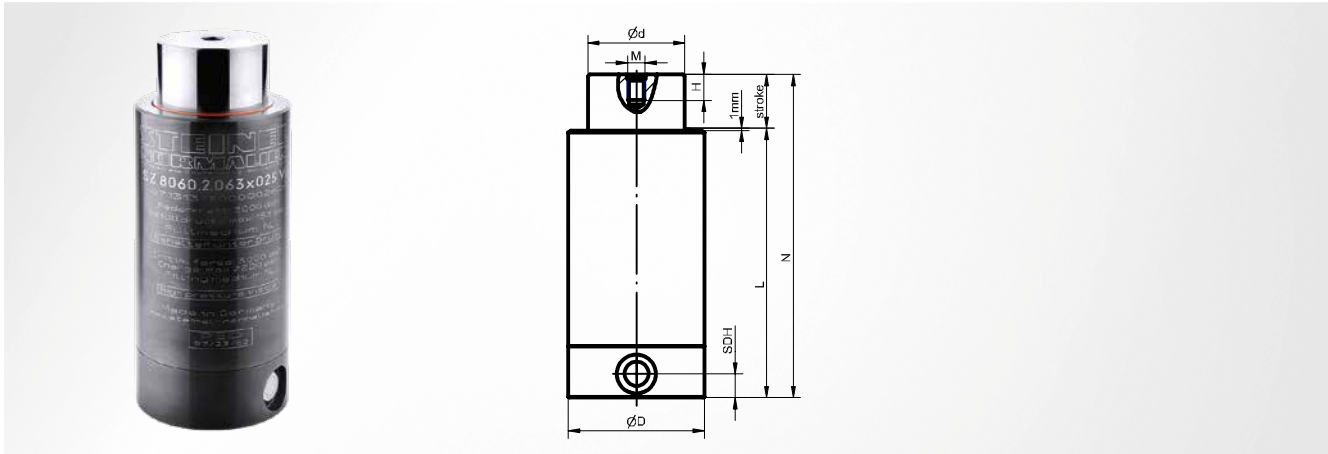
| D | d | Connecting thread | Position connecting thread | Filling pressure max. bar | daN | daN | M | H | N | Stroke | L | Item number |
|-----|----|-------------------|----------------------------|---------------------------|-------|-------|----|---|-----|--------|-----|----------------------|
| 38 | 22 | G1/8 | on the side | 162 | 1000 | 1710 | M6 | 6 | 95 | 10 | 85 | SZ8060.2 .038 x 010V |
| | | | | | | | | | | 15 | 95 | SZ8060.2 .038 x 015V |
| | | | | | | | | | | 25 | 115 | SZ8060.2 .038 x 025V |
| | | | | | | | | | | 50 | 165 | SZ8060.2 .038 x 050V |
| 50 | 35 | G1/8 | on the side | 159 | 2000 | 3400 | M8 | 8 | 100 | 10 | 90 | SZ8060.2 .050 x 010V |
| | | | | | | | | | | 15 | 100 | SZ8060.2 .050 x 015V |
| | | | | | | | | | | 25 | 120 | SZ8060.2 .050 x 025V |
| | | | | | | | | | | 50 | 170 | SZ8060.2 .050 x 050V |
| 63 | 45 | G1/8 | on the side | 153 | 3000 | 4800 | M8 | 8 | 105 | 10 | 95 | SZ8060.2 .063 x 010V |
| | | | | | | | | | | 15 | 105 | SZ8060.2 .063 x 015V |
| | | | | | | | | | | 25 | 125 | SZ8060.2 .063 x 025V |
| | | | | | | | | | | 50 | 175 | SZ8060.2 .063 x 050V |
| 75 | 55 | G1/8 | on the side | 142 | 4000 | 6400 | M8 | 8 | 105 | 10 | 95 | SZ8060.2 .075 x 010V |
| | | | | | | | | | | 15 | 105 | SZ8060.2 .075 x 015V |
| | | | | | | | | | | 25 | 125 | SZ8060.2 .075 x 025V |
| | | | | | | | | | | 50 | 175 | SZ8060.2 .075 x 050V |
| 95 | 65 | G1/8 | on the side | 158 | 7000 | 11200 | M8 | 8 | 110 | 10 | 100 | SZ8060.2 .095 x 010V |
| | | | | | | | | | | 15 | 110 | SZ8060.2 .095 x 015V |
| | | | | | | | | | | 25 | 130 | SZ8060.2 .095 x 025V |
| | | | | | | | | | | 50 | 180 | SZ8060.2 .095 x 050V |
| 120 | 85 | G1/8 | on the side | 141 | 10000 | 16000 | M8 | 8 | 120 | 10 | 110 | SZ8060.2 .120 x 010V |
| | | | | | | | | | | 15 | 120 | SZ8060.2 .120 x 015V |
| | | | | | | | | | | 25 | 140 | SZ8060.2 .120 x 025V |
| | | | | | | | | | | 50 | 190 | SZ8060.2 .120 x 050V |



SZ8060.2.VB Connecting nitrogen cylinder



with burst protection



Base

Composite base; with burst protection

Burst protection

integrated

Filling

carried out via composite system

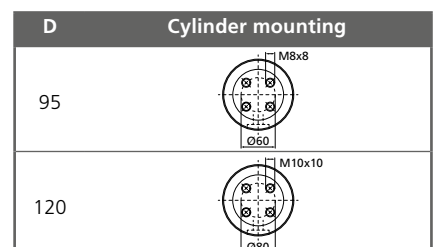
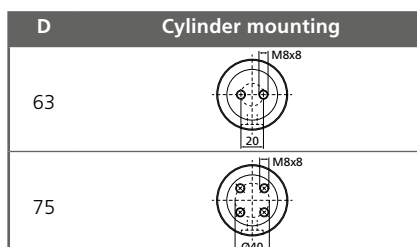
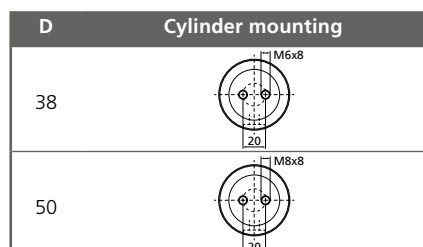
Delivery

will be supplied unfilled

Installation instruction

Spring is equipped to be connected on its side with G1/8 male stud couplings; filling is carried out via the connected control panel; SDH = the height of the lateral connection is 11 mm

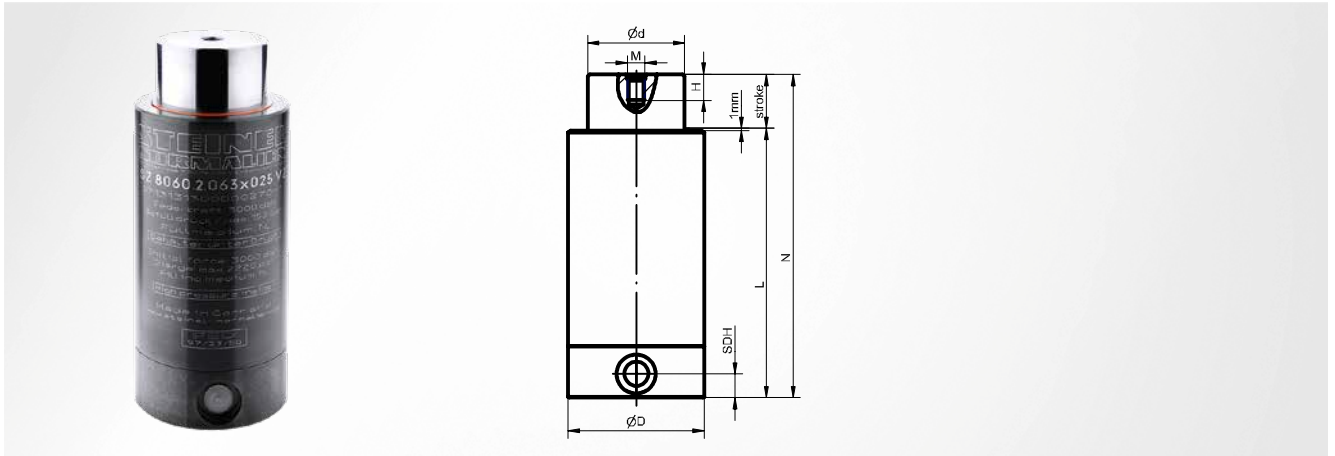
| D | d | Connecting thread | Position connecting thread | Filling pressure max. bar | daN | daN | M | H | N | Stroke | L | Item number |
|-----|----|-------------------|----------------------------|---------------------------|-------|-------|----|---|-----|--------|-----|-----------------------|
| 38 | 22 | G1/8 | on the side | 162 | 1000 | 1710 | M6 | 6 | 95 | 10 | 85 | SZ8060.2 .038 x 010VB |
| | | | | | | | | | | 15 | 95 | SZ8060.2 .038 x 015VB |
| | | | | | | | | | | 25 | 115 | SZ8060.2 .038 x 025VB |
| | | | | | | | | | | 50 | 165 | SZ8060.2 .038 x 050VB |
| 50 | 35 | G1/8 | on the side | 159 | 2000 | 3400 | M8 | 8 | 100 | 10 | 90 | SZ8060.2 .050 x 010VB |
| | | | | | | | | | | 15 | 100 | SZ8060.2 .050 x 015VB |
| | | | | | | | | | | 25 | 120 | SZ8060.2 .050 x 025VB |
| | | | | | | | | | | 50 | 170 | SZ8060.2 .050 x 050VB |
| 63 | 45 | G1/8 | on the side | 153 | 3000 | 4800 | M8 | 8 | 105 | 10 | 95 | SZ8060.2 .063 x 010VB |
| | | | | | | | | | | 15 | 105 | SZ8060.2 .063 x 015VB |
| | | | | | | | | | | 25 | 125 | SZ8060.2 .063 x 025VB |
| | | | | | | | | | | 50 | 175 | SZ8060.2 .063 x 050VB |
| 75 | 55 | G1/8 | on the side | 142 | 4000 | 6400 | M8 | 8 | 105 | 10 | 95 | SZ8060.2 .075 x 010VB |
| | | | | | | | | | | 15 | 105 | SZ8060.2 .075 x 015VB |
| | | | | | | | | | | 25 | 125 | SZ8060.2 .075 x 025VB |
| | | | | | | | | | | 50 | 175 | SZ8060.2 .075 x 050VB |
| 95 | 65 | G1/8 | on the side | 158 | 7000 | 11200 | M8 | 8 | 110 | 10 | 100 | SZ8060.2 .095 x 010VB |
| | | | | | | | | | | 15 | 110 | SZ8060.2 .095 x 015VB |
| | | | | | | | | | | 25 | 130 | SZ8060.2 .095 x 025VB |
| | | | | | | | | | | 50 | 180 | SZ8060.2 .095 x 050VB |
| 120 | 85 | G1/8 | on the side | 141 | 10000 | 16000 | M8 | 8 | 120 | 10 | 110 | SZ8060.2 .120 x 010VB |
| | | | | | | | | | | 15 | 120 | SZ8060.2 .120 x 015VB |
| | | | | | | | | | | 25 | 140 | SZ8060.2 .120 x 025VB |
| | | | | | | | | | | 50 | 190 | SZ8060.2 .120 x 050VB |



SZ8060.2.VZ Connecting nitrogen cylinder



2 connections, with burst protection



Base

Composite base; with burst protection; 2 connections

Delivery

will be supplied unfilled

Burst protection

integrated

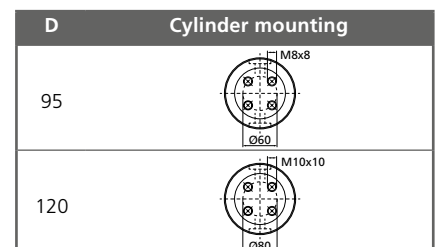
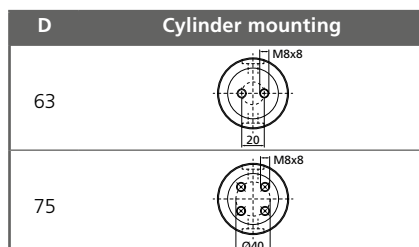
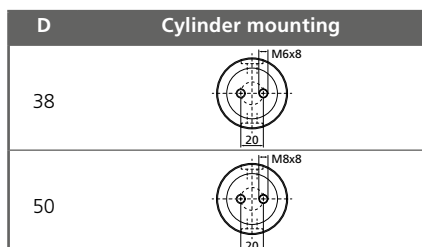
Installation instruction

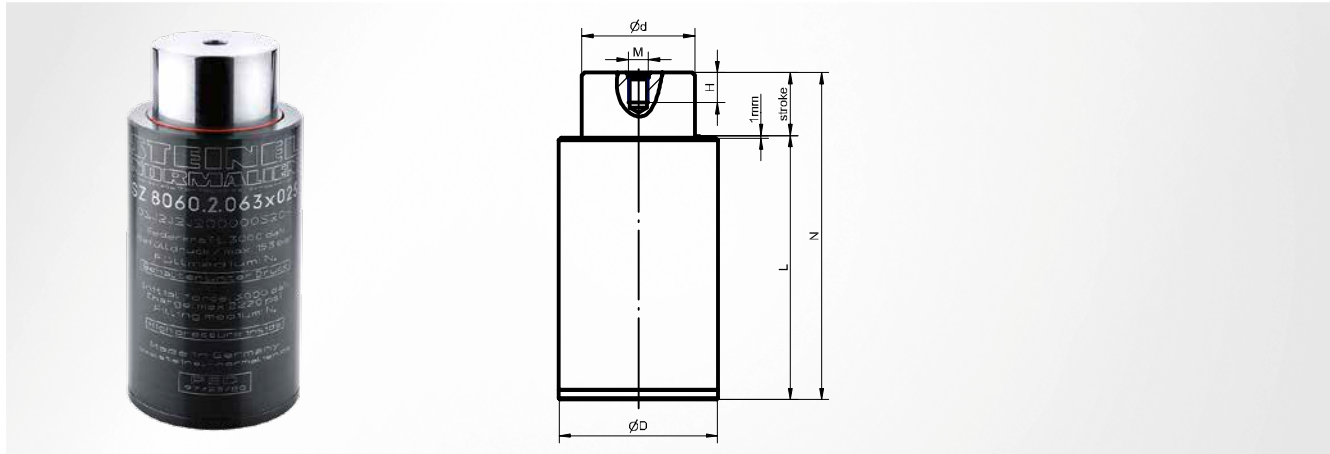
Spring is equipped to be connected on its side with G1/8 male stud couplings; filling is carried out via the connected control panel; SDH = the height of the lateral connection is 11 mm

Filling

carried out via composite system

| D | d | Connecting thread | Position connecting thread | Filling pressure max. bar | daN | daN | M | H | N | Stroke | L | Item number |
|-----|----|-------------------|----------------------------|---------------------------|-------|-------|----|---|-----|--------|-----|-----------------------|
| 38 | 22 | G1/8 | on the side | 162 | 1000 | 1710 | M6 | 6 | 95 | 10 | 85 | SZ8060.2 .038 x 010VZ |
| | | | | | | | | | | 15 | 95 | SZ8060.2 .038 x 015VZ |
| | | | | | | | | | | 25 | 115 | SZ8060.2 .038 x 025VZ |
| | | | | | | | | | | 50 | 165 | SZ8060.2 .038 x 050VZ |
| 50 | 35 | G1/8 | on the side | 159 | 2000 | 3400 | M8 | 8 | 100 | 10 | 90 | SZ8060.2 .050 x 010VZ |
| | | | | | | | | | | 15 | 100 | SZ8060.2 .050 x 015VZ |
| | | | | | | | | | | 25 | 120 | SZ8060.2 .050 x 025VZ |
| | | | | | | | | | | 50 | 170 | SZ8060.2 .050 x 050VZ |
| 63 | 45 | G1/8 | on the side | 153 | 3000 | 4800 | M8 | 8 | 105 | 10 | 95 | SZ8060.2 .063 x 010VZ |
| | | | | | | | | | | 15 | 105 | SZ8060.2 .063 x 015VZ |
| | | | | | | | | | | 25 | 125 | SZ8060.2 .063 x 025VZ |
| | | | | | | | | | | 50 | 175 | SZ8060.2 .063 x 050VZ |
| 75 | 55 | G1/8 | on the side | 142 | 4000 | 6400 | M8 | 8 | 105 | 10 | 105 | SZ8060.2 .075 x 010VZ |
| | | | | | | | | | | 15 | 105 | SZ8060.2 .075 x 015VZ |
| | | | | | | | | | | 25 | 125 | SZ8060.2 .075 x 025VZ |
| | | | | | | | | | | 50 | 175 | SZ8060.2 .075 x 050VZ |
| 95 | 65 | G1/8 | on the side | 158 | 7000 | 11200 | M8 | 8 | 110 | 10 | 100 | SZ8060.2 .095 x 010VZ |
| | | | | | | | | | | 15 | 110 | SZ8060.2 .095 x 015VZ |
| | | | | | | | | | | 25 | 130 | SZ8060.2 .095 x 025VZ |
| | | | | | | | | | | 50 | 180 | SZ8060.2 .095 x 050VZ |
| 120 | 85 | G1/8 | on the side | 141 | 10000 | 16000 | M8 | 8 | 120 | 10 | 110 | SZ8060.2 .120 x 010VZ |
| | | | | | | | | | | 15 | 120 | SZ8060.2 .120 x 015VZ |
| | | | | | | | | | | 25 | 140 | SZ8060.2 .120 x 025VZ |
| | | | | | | | | | | 50 | 190 | SZ8060.2 .120 x 050VZ |





Base

Composite plate floor

Burst protection

not integrated

Filling

carried out via composite system

Delivery

will be supplied unfilled

Installation instruction

Springs are screwed on through the composite panel by means of the base mounting threads; the plate must be flat and have a minimum surface roughness of Rz 6.3 in the area of the spring diameter; composite plate springs must be filled with oil to 1 % of the volume of the spring; filling is carried out via the connected control panel

| D | d | Filling pressure max. bar | daN | daN | M | H | N | Stroke | L | Item number |
|-----|----|---------------------------|-------|-------|----|---|-----|--------|-----|-----------------------|
| 32 | 18 | 155 | 700 | 1230 | M6 | 6 | 75 | 10 | 65 | SZ8060.2 .032 x 010PD |
| | | | | | | | 90 | 15 | 75 | SZ8060.2 .032 x 015PD |
| | | | | | | | 120 | 25 | 95 | SZ8060.2 .032 x 025PD |
| | | | | | | | 195 | 50 | 145 | SZ8060.2 .032 x 050PD |
| 38 | 22 | 162 | 1000 | 1710 | M6 | 6 | 75 | 10 | 65 | SZ8060.2 .038 x 010PD |
| | | | | | | | 90 | 15 | 75 | SZ8060.2 .038 x 015PD |
| | | | | | | | 120 | 25 | 95 | SZ8060.2 .038 x 025PD |
| | | | | | | | 195 | 50 | 145 | SZ8060.2 .038 x 050PD |
| 50 | 35 | 159 | 2000 | 3400 | M8 | 8 | 80 | 10 | 70 | SZ8060.2 .050 x 010PD |
| | | | | | | | 95 | 15 | 80 | SZ8060.2 .050 x 015PD |
| | | | | | | | 125 | 25 | 100 | SZ8060.2 .050 x 025PD |
| | | | | | | | 200 | 50 | 150 | SZ8060.2 .050 x 050PD |
| 63 | 45 | 153 | 3000 | 4800 | M8 | 8 | 85 | 10 | 75 | SZ8060.2 .063 x 010PD |
| | | | | | | | 100 | 15 | 85 | SZ8060.2 .063 x 015PD |
| | | | | | | | 130 | 25 | 105 | SZ8060.2 .063 x 025PD |
| | | | | | | | 205 | 50 | 155 | SZ8060.2 .063 x 050PD |
| 75 | 55 | 142 | 4000 | 6400 | M8 | 8 | 85 | 10 | 75 | SZ8060.2 .075 x 010PD |
| | | | | | | | 100 | 15 | 85 | SZ8060.2 .075 x 015PD |
| | | | | | | | 130 | 25 | 105 | SZ8060.2 .075 x 025PD |
| | | | | | | | 205 | 50 | 155 | SZ8060.2 .075 x 050PD |
| 95 | 65 | 158 | 7000 | 11200 | M8 | 8 | 90 | 10 | 80 | SZ8060.2 .095 x 010PD |
| | | | | | | | 105 | 15 | 90 | SZ8060.2 .095 x 015PD |
| | | | | | | | 135 | 25 | 110 | SZ8060.2 .095 x 025PD |
| | | | | | | | 210 | 50 | 160 | SZ8060.2 .095 x 050PD |
| 120 | 85 | 141 | 10000 | 16000 | M8 | 8 | 100 | 10 | 90 | SZ8060.2 .120 x 010PD |
| | | | | | | | 115 | 15 | 100 | SZ8060.2 .120 x 015PD |
| | | | | | | | 145 | 25 | 120 | SZ8060.2 .120 x 025PD |
| | | | | | | | 220 | 50 | 170 | SZ8060.2 .120 x 050PD |

| D | Cylinder mounting |
|----|-------------------|
| 32 | |
| 38 | |
| 50 | |

| D | Cylinder mounting |
|----|-------------------|
| 63 | |
| 75 | |
| 95 | |

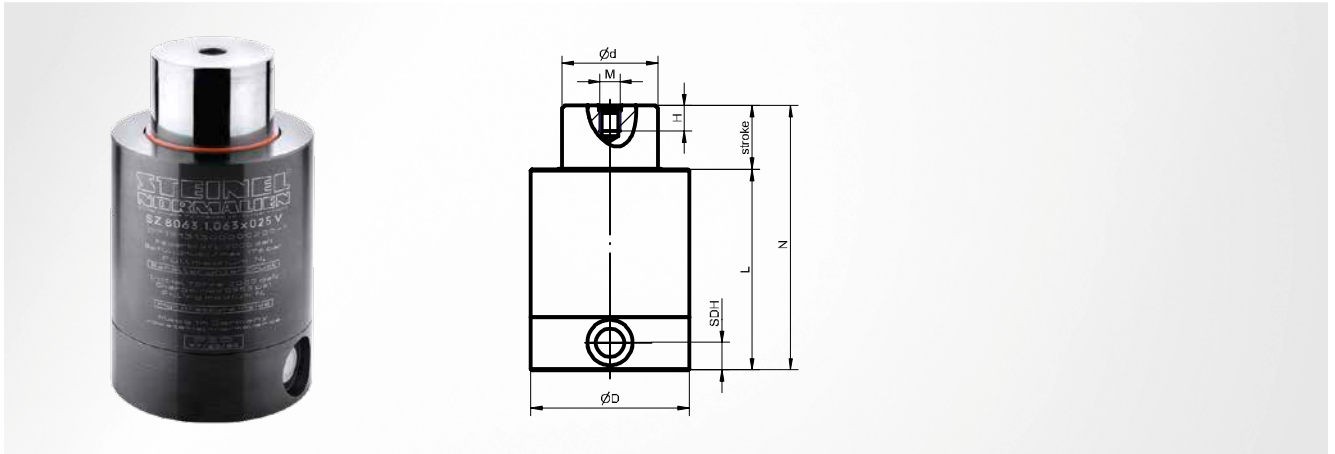
| D | Cylinder mounting |
|-----|-------------------|
| 120 | |

Tapping units

Module system

Machine elements

Accessories



Base

Composite base

Burst protection

not integrated

Filling

carried out via composite system



Delivery

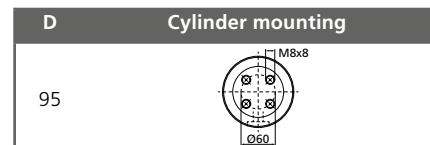
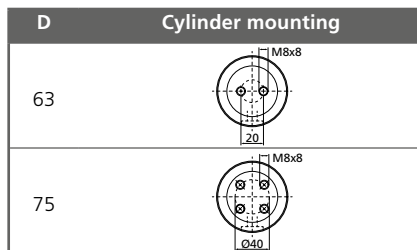
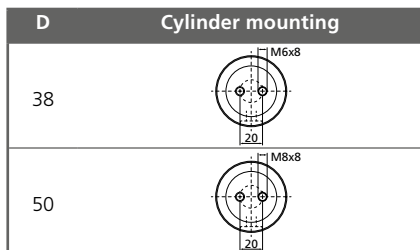
will be supplied unfilled

Installation instruction

Spring is equipped to be connected on its side with G1/8 male stud couplings; filling is carried out via the connected control panel; SDH = the height of the lateral connection is 11 mm

| D | d | Connecting thread | Position connecting thread | Filling pressure max. bar | M | H | | | N | Stroke | L | Item number |
|------|------|-------------------|----------------------------|---------------------------|----------------------|---|------|------|-----|--------|-----|----------------------|
| | | | | | | | daN | daN | | | | |
| 38 | 22 | G1/8 | on the side | 197 | | | 750 | 1050 | 60 | 5 | 55 | SZ8063.1 .038 x 005V |
| 38 | 22 | G1/8 | on the side | 197 | M6 | 6 | 750 | 1155 | 70 | 10 | 60 | SZ8063.1 .038 x 010V |
| | | | | | | | 750 | 1200 | 80 | 15 | 65 | SZ8063.1 .038 x 015V |
| | | | | | | | 750 | 1200 | 88 | 19 | 69 | SZ8063.1 .038 x 019V |
| | | | | | | | 750 | 1200 | 100 | 25 | 75 | SZ8063.1 .038 x 025V |
| | | | | | | | 750 | 1200 | 114 | 32 | 82 | SZ8063.1 .038 x 032V |
| | | | | | | | 750 | 1200 | 126 | 38 | 88 | SZ8063.1 .038 x 038V |
| | | | | | | | 750 | 1200 | 150 | 50 | 100 | SZ8063.1 .038 x 050V |
| | | | | | | | 750 | 1200 | 176 | 63 | 113 | SZ8063.1 .038 x 063V |
| | | | | | | | 750 | 1200 | 210 | 80 | 130 | SZ8063.1 .038 x 080V |
| | | | | | | | 750 | 1200 | 250 | 100 | 150 | SZ8063.1 .038 x 100V |
| 750 | 1200 | 300 | 125 | 175 | SZ8063.1 .038 x 125V | | | | | | | |
| 50 | 30 | G1/8 | on the side | 212 | | | 1500 | 2130 | 65 | 5 | 60 | SZ8063.1 .050 x 005V |
| 50 | 30 | G1/8 | on the side | 212 | M8 | 8 | 1500 | 2310 | 75 | 10 | 65 | SZ8063.1 .050 x 010V |
| | | | | | | | 1500 | 2400 | 85 | 15 | 70 | SZ8063.1 .050 x 015V |
| | | | | | | | 1500 | 2400 | 93 | 19 | 74 | SZ8063.1 .050 x 019V |
| | | | | | | | 1500 | 2400 | 105 | 25 | 80 | SZ8063.1 .050 x 025V |
| | | | | | | | 1500 | 2400 | 119 | 32 | 87 | SZ8063.1 .050 x 032V |
| | | | | | | | 1500 | 2400 | 131 | 38 | 93 | SZ8063.1 .050 x 038V |
| | | | | | | | 1500 | 2400 | 155 | 50 | 105 | SZ8063.1 .050 x 050V |
| | | | | | | | 1500 | 2400 | 181 | 63 | 118 | SZ8063.1 .050 x 063V |
| | | | | | | | 1500 | 2400 | 220 | 80 | 140 | SZ8063.1 .050 x 080V |
| | | | | | | | 1500 | 2400 | 255 | 100 | 155 | SZ8063.1 .050 x 100V |
| 1500 | 2400 | 305 | 125 | 180 | SZ8063.1 .050 x 125V | | | | | | | |
| 63 | 38 | G1/8 | on the side | 176 | | | 2000 | 2720 | 65 | 5 | 60 | SZ8063.1 .063 x 005V |
| 63 | 38 | G1/8 | on the side | 176 | M8 | 8 | 2000 | 3080 | 75 | 10 | 65 | SZ8063.1 .063 x 010V |
| | | | | | | | 2000 | 3200 | 85 | 15 | 70 | SZ8063.1 .063 x 015V |
| | | | | | | | 2000 | 3200 | 93 | 19 | 74 | SZ8063.1 .063 x 019V |
| | | | | | | | 2000 | 3200 | 105 | 25 | 80 | SZ8063.1 .063 x 025V |
| | | | | | | | 2000 | 3200 | 119 | 32 | 87 | SZ8063.1 .063 x 032V |
| | | | | | | | 2000 | 3200 | 131 | 38 | 93 | SZ8063.1 .063 x 038V |
| | | | | | | | 2000 | 3200 | 155 | 50 | 105 | SZ8063.1 .063 x 050V |
| | | | | | | | 2000 | 3200 | 181 | 63 | 118 | SZ8063.1 .063 x 063V |

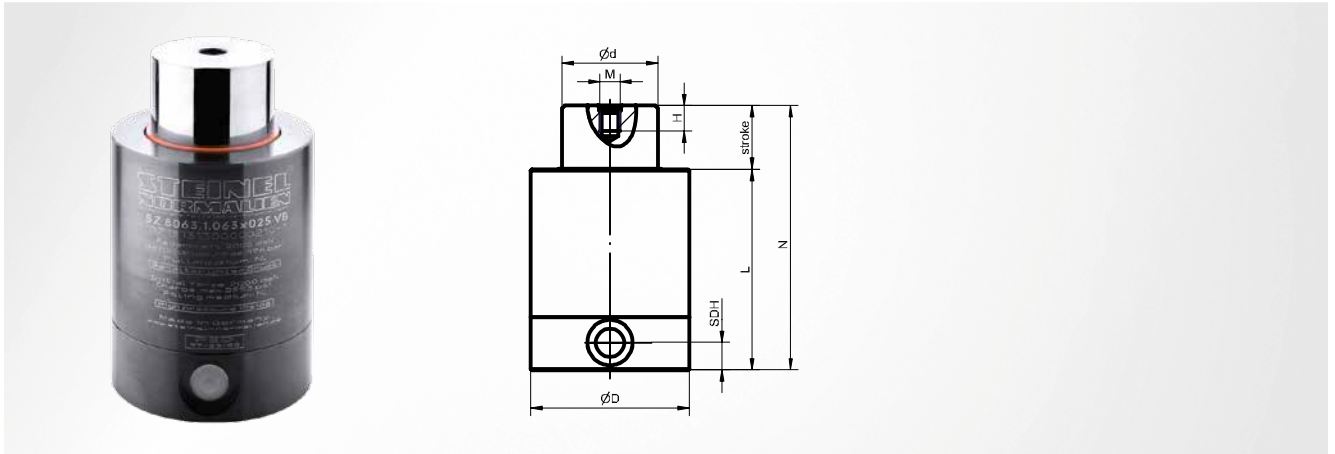
| D | d | Connecting thread | Position connecting thread | Filling pressure max. bar | M | H |  |  | N | Stroke | L | Item number |
|------|------|-------------------|----------------------------|---------------------------|----------------------|---|---|---|-----|--------|-----|----------------------|
| | | | | | | | daN | daN | | | | |
| 63 | 38 | G1/8 | on the side | 176 | M8 | 8 | 2000 | 3200 | 220 | 80 | 140 | SZ8063.1 .063 x 080V |
| | | | | | | | 2000 | 3200 | 255 | 100 | 155 | SZ8063.1 .063 x 100V |
| | | | | | | | 2000 | 3200 | 305 | 125 | 180 | SZ8063.1 .063 x 125V |
| 75 | 45 | G1/8 | on the side | 189 | M8 | 8 | 3000 | 4050 | 70 | 5 | 65 | SZ8063.1 .075 x 005V |
| 75 | 45 | G1/8 | on the side | 189 | | | 3000 | 4590 | 80 | 10 | 70 | SZ8063.1 .075 x 010V |
| | | | | | | | 3000 | 4800 | 90 | 15 | 75 | SZ8063.1 .075 x 015V |
| | | | | | | | 3000 | 4800 | 98 | 19 | 79 | SZ8063.1 .075 x 019V |
| | | | | | | | 3000 | 4800 | 110 | 25 | 85 | SZ8063.1 .075 x 025V |
| | | | | | | | 3000 | 4800 | 124 | 32 | 92 | SZ8063.1 .075 x 032V |
| | | | | | | | 3000 | 4800 | 136 | 38 | 98 | SZ8063.1 .075 x 038V |
| | | | | | | | 3000 | 4800 | 160 | 50 | 110 | SZ8063.1 .075 x 050V |
| | | | | | | | 3000 | 4800 | 186 | 63 | 123 | SZ8063.1 .075 x 063V |
| | | | | | | | 3000 | 4800 | 225 | 80 | 145 | SZ8063.1 .075 x 080V |
| | | | | | | | 3000 | 4800 | 265 | 100 | 165 | SZ8063.1 .075 x 100V |
| 3000 | 4800 | 315 | 125 | 190 | SZ8063.1 .075 x 125V | | | | | | | |
| 95 | 55 | G1/8 | on the side | 210 | M8 | 8 | 5000 | 7000 | 80 | 5 | 75 | SZ8063.1 .095 x 005V |
| 95 | 55 | G1/8 | on the side | 210 | | | 5000 | 7800 | 90 | 10 | 80 | SZ8063.1 .095 x 010V |
| | | | | | | | 5000 | 8000 | 100 | 15 | 85 | SZ8063.1 .095 x 015V |
| | | | | | | | 5000 | 8000 | 108 | 19 | 89 | SZ8063.1 .095 x 019V |
| | | | | | | | 5000 | 8000 | 120 | 25 | 95 | SZ8063.1 .095 x 025V |
| | | | | | | | 5000 | 8000 | 134 | 32 | 102 | SZ8063.1 .095 x 032V |
| | | | | | | | 5000 | 8000 | 145 | 38 | 107 | SZ8063.1 .095 x 038V |
| | | | | | | | 5000 | 8000 | 170 | 50 | 120 | SZ8063.1 .095 x 050V |
| | | | | | | | 5000 | 8000 | 196 | 63 | 133 | SZ8063.1 .095 x 063V |
| | | | | | | | 5000 | 8000 | 230 | 80 | 150 | SZ8063.1 .095 x 080V |
| | | | | | | | 5000 | 8000 | 270 | 100 | 170 | SZ8063.1 .095 x 100V |
| 5000 | 8000 | 320 | 125 | 195 | SZ8063.1 .095 x 125V | | | | | | | |



SZ8063.1.VB Connecting nitrogen cylinder



with burst protection



Base

Composite base; with burst protection

Burst protection

integrated

Filling

carried out via composite system

Delivery

will be supplied unfilled

Installation instruction



Spring is equipped to be connected on its side with G1/8 male stud couplings; filling is carried out via the connected control panel; SDH = the height of the lateral connection is 11 mm

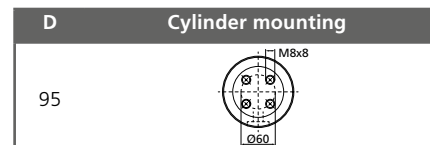
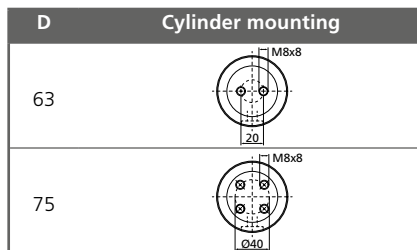
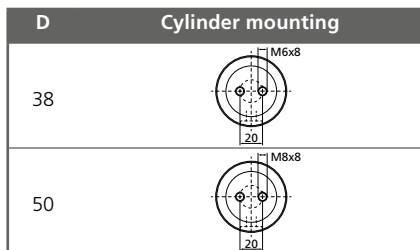
| D | d | Connecting thread | Position connecting thread | Filling pressure max. bar | M | H | daN | daN | N | Stroke | L | Item number |
|------|------|-------------------|----------------------------|---------------------------|-----------------------|---|------|------|-----|--------|-----|-----------------------|
| 38 | 22 | G1/8 | on the side | 197 | | | 750 | 1050 | 60 | 5 | 55 | SZ8063.1 .038 x 005VB |
| 38 | 22 | G1/8 | on the side | 197 | M6 | 6 | 750 | 1155 | 70 | 10 | 60 | SZ8063.1 .038 x 010VB |
| | | | | | | | 750 | 1200 | 80 | 15 | 65 | SZ8063.1 .038 x 015VB |
| | | | | | | | 750 | 1200 | 88 | 19 | 69 | SZ8063.1 .038 x 019VB |
| | | | | | | | 750 | 1200 | 100 | 25 | 75 | SZ8063.1 .038 x 025VB |
| | | | | | | | 750 | 1200 | 114 | 32 | 82 | SZ8063.1 .038 x 032VB |
| | | | | | | | 750 | 1200 | 126 | 38 | 88 | SZ8063.1 .038 x 038VB |
| | | | | | | | 750 | 1200 | 150 | 50 | 100 | SZ8063.1 .038 x 050VB |
| | | | | | | | 750 | 1200 | 176 | 63 | 113 | SZ8063.1 .038 x 063VB |
| | | | | | | | 750 | 1200 | 210 | 80 | 130 | SZ8063.1 .038 x 080VB |
| | | | | | | | 750 | 1200 | 250 | 100 | 150 | SZ8063.1 .038 x 100VB |
| 750 | 1200 | 300 | 125 | 175 | SZ8063.1 .038 x 125VB | | | | | | | |
| 50 | 30 | G1/8 | on the side | 212 | | | 1500 | 2130 | 65 | 5 | 60 | SZ8063.1 .050 x 005VB |
| 50 | 30 | G1/8 | on the side | 212 | M8 | 8 | 1500 | 2310 | 75 | 10 | 65 | SZ8063.1 .050 x 010VB |
| | | | | | | | 1500 | 2400 | 85 | 15 | 70 | SZ8063.1 .050 x 015VB |
| | | | | | | | 1500 | 2400 | 93 | 19 | 74 | SZ8063.1 .050 x 019VB |
| | | | | | | | 1500 | 2400 | 105 | 25 | 80 | SZ8063.1 .050 x 025VB |
| | | | | | | | 1500 | 2400 | 119 | 32 | 87 | SZ8063.1 .050 x 032VB |
| | | | | | | | 1500 | 2400 | 131 | 38 | 93 | SZ8063.1 .050 x 038VB |
| | | | | | | | 1500 | 2400 | 155 | 50 | 105 | SZ8063.1 .050 x 050VB |
| | | | | | | | 1500 | 2400 | 181 | 63 | 118 | SZ8063.1 .050 x 063VB |
| | | | | | | | 1500 | 2400 | 220 | 80 | 140 | SZ8063.1 .050 x 080VB |
| | | | | | | | 1500 | 2400 | 255 | 100 | 155 | SZ8063.1 .050 x 100VB |
| 1500 | 2400 | 305 | 125 | 180 | SZ8063.1 .050 x 125VB | | | | | | | |
| 63 | 38 | G1/8 | on the side | 176 | | | 2000 | 2720 | 65 | 5 | 60 | SZ8063.1 .063 x 005VB |
| 63 | 38 | G1/8 | on the side | 176 | M8 | 8 | 2000 | 3080 | 75 | 10 | 65 | SZ8063.1 .063 x 010VB |
| | | | | | | | 2000 | 3200 | 85 | 15 | 70 | SZ8063.1 .063 x 015VB |
| | | | | | | | 2000 | 3200 | 93 | 19 | 74 | SZ8063.1 .063 x 019VB |
| | | | | | | | 2000 | 3200 | 105 | 25 | 80 | SZ8063.1 .063 x 025VB |
| | | | | | | | 2000 | 3200 | 119 | 32 | 87 | SZ8063.1 .063 x 032VB |
| | | | | | | | 2000 | 3200 | 131 | 38 | 93 | SZ8063.1 .063 x 038VB |
| | | | | | | | 2000 | 3200 | 155 | 50 | 105 | SZ8063.1 .063 x 050VB |
| | | | | | | | 2000 | 3200 | 181 | 63 | 118 | SZ8063.1 .063 x 063VB |

SZ8063.1.VB Connecting nitrogen cylinder



with burst protection

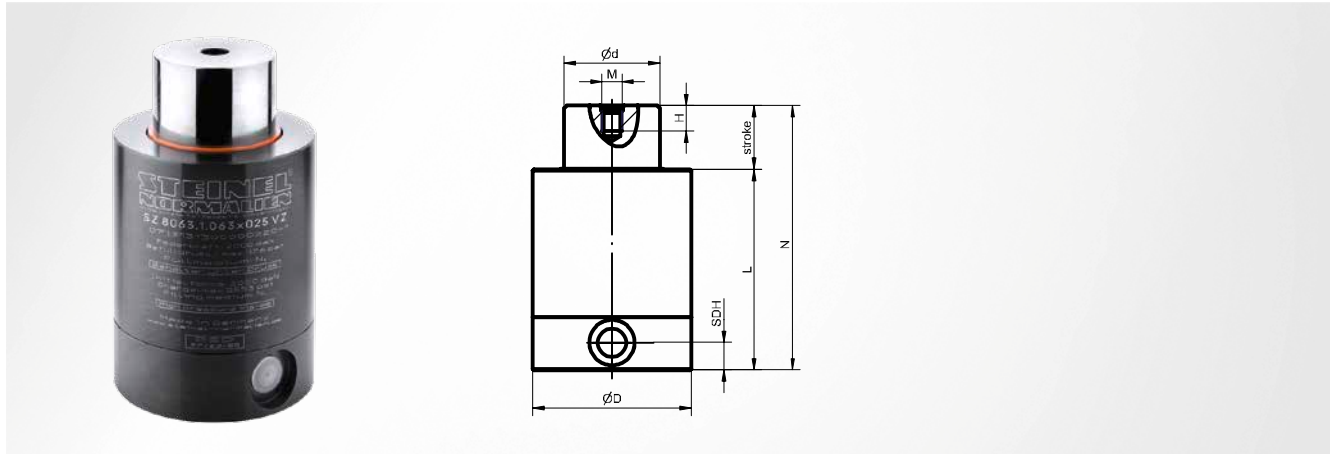
| D | d | Connecting thread | Position connecting thread | Filling pressure max. bar | M | H |  |  | N | Stroke | L | Item number |
|------|------|-------------------|----------------------------|---------------------------|-----------------------|---|---|---|-----|--------|-----|-----------------------|
| | | | | | | | daN | daN | | | | |
| 63 | 38 | G1/8 | on the side | 176 | M8 | 8 | 2000 | 3200 | 220 | 80 | 140 | SZ8063.1 .063 x 080VB |
| | | | | | | | 2000 | 3200 | 255 | 100 | 155 | SZ8063.1 .063 x 100VB |
| | | | | | | | 2000 | 3200 | 305 | 125 | 180 | SZ8063.1 .063 x 125VB |
| 75 | 45 | G1/8 | on the side | 189 | | | 3000 | 4050 | 70 | 5 | 65 | SZ8063.1 .075 x 005VB |
| 75 | 45 | G1/8 | on the side | 189 | M8 | 8 | 3000 | 4590 | 80 | 10 | 70 | SZ8063.1 .075 x 010VB |
| | | | | | | | 3000 | 4800 | 90 | 15 | 75 | SZ8063.1 .075 x 015VB |
| | | | | | | | 3000 | 4800 | 98 | 19 | 79 | SZ8063.1 .075 x 019VB |
| | | | | | | | 3000 | 4800 | 110 | 25 | 85 | SZ8063.1 .075 x 025VB |
| | | | | | | | 3000 | 4800 | 124 | 32 | 92 | SZ8063.1 .075 x 032VB |
| | | | | | | | 3000 | 4800 | 136 | 38 | 98 | SZ8063.1 .075 x 038VB |
| | | | | | | | 3000 | 4800 | 160 | 50 | 110 | SZ8063.1 .075 x 050VB |
| | | | | | | | 3000 | 4800 | 186 | 63 | 123 | SZ8063.1 .075 x 063VB |
| | | | | | | | 3000 | 4800 | 225 | 80 | 145 | SZ8063.1 .075 x 080VB |
| | | | | | | | 3000 | 4800 | 265 | 100 | 165 | SZ8063.1 .075 x 100VB |
| 3000 | 4800 | 315 | 125 | 190 | SZ8063.1 .075 x 125VB | | | | | | | |
| 95 | 55 | G1/8 | on the side | 210 | | | 5000 | 7000 | 80 | 5 | 75 | SZ8063.1 .095 x 005VB |
| 95 | 55 | G1/8 | on the side | 210 | M8 | 8 | 5000 | 7800 | 90 | 10 | 80 | SZ8063.1 .095 x 010VB |
| | | | | | | | 5000 | 8000 | 100 | 15 | 85 | SZ8063.1 .095 x 015VB |
| | | | | | | | 5000 | 8000 | 108 | 19 | 89 | SZ8063.1 .095 x 019VB |
| | | | | | | | 5000 | 8000 | 120 | 25 | 95 | SZ8063.1 .095 x 025VB |
| | | | | | | | 5000 | 8000 | 134 | 32 | 102 | SZ8063.1 .095 x 032VB |
| | | | | | | | 5000 | 8000 | 145 | 38 | 107 | SZ8063.1 .095 x 038VB |
| | | | | | | | 5000 | 8000 | 170 | 50 | 120 | SZ8063.1 .095 x 050VB |
| | | | | | | | 5000 | 8000 | 196 | 63 | 133 | SZ8063.1 .095 x 063VB |
| | | | | | | | 5000 | 8000 | 230 | 80 | 150 | SZ8063.1 .095 x 080VB |
| | | | | | | | 5000 | 8000 | 270 | 100 | 170 | SZ8063.1 .095 x 100VB |
| 5000 | 8000 | 320 | 125 | 195 | SZ8063.1 .095 x 125VB | | | | | | | |



SZ8063.1.VZ Connecting nitrogen cylinder



2 connections, with burst protection



Base

Composite base; with burst protection; 2 connections

Delivery

will be supplied unfilled

Burst protection

integrated

Installation instruction

Spring is equipped to be connected on its side with G1/8 male stud couplings; filling is carried out via the connected control panel; SDH = the height of the lateral connection is 11 mm

Filling



carried out via composite system

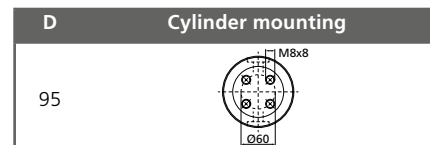
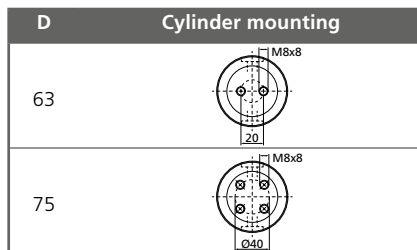
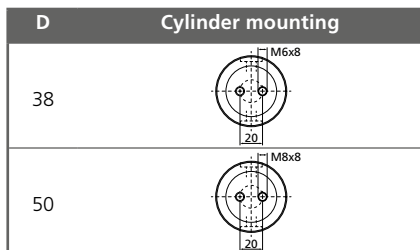
| D | d | Connecting thread | Position connecting thread | Filling pressure max. bar | M | H | | | N | Stroke | L | Item number | | | | | | | |
|------|------|-------------------|----------------------------|---------------------------|-----------------------|---|------|------|------|-------------|-----|-----------------------|---|------|------|----|----|----|-----------------------|
| | | | | | | | daN | daN | | | | | | | | | | | |
| 38 | 22 | G1/8 | on the side | 197 | | | 750 | 1050 | 60 | 5 | 55 | SZ8063.1 .038 x 005VZ | | | | | | | |
| 38 | 22 | G1/8 | on the side | 197 | M6 | 6 | 750 | 1155 | 70 | 10 | 60 | SZ8063.1 .038 x 010VZ | | | | | | | |
| | | | | | | | 750 | 1200 | 80 | 15 | 65 | SZ8063.1 .038 x 015VZ | | | | | | | |
| | | | | | | | 750 | 1200 | 88 | 19 | 69 | SZ8063.1 .038 x 019VZ | | | | | | | |
| | | | | | | | 750 | 1200 | 100 | 25 | 75 | SZ8063.1 .038 x 025VZ | | | | | | | |
| | | | | | | | 750 | 1200 | 114 | 32 | 82 | SZ8063.1 .038 x 032VZ | | | | | | | |
| | | | | | | | 750 | 1200 | 126 | 38 | 88 | SZ8063.1 .038 x 038VZ | | | | | | | |
| | | | | | | | 750 | 1200 | 150 | 50 | 100 | SZ8063.1 .038 x 050VZ | | | | | | | |
| | | | | | | | 750 | 1200 | 176 | 63 | 113 | SZ8063.1 .038 x 063VZ | | | | | | | |
| | | | | | | | 750 | 1200 | 210 | 80 | 130 | SZ8063.1 .038 x 080VZ | | | | | | | |
| | | | | | | | 750 | 1200 | 250 | 100 | 150 | SZ8063.1 .038 x 100VZ | | | | | | | |
| 750 | 1200 | 300 | 125 | 175 | SZ8063.1 .038 x 125VZ | | | | | | | | | | | | | | |
| 50 | 30 | G1/8 | on the side | 212 | | | 1500 | 2130 | 65 | 5 | 60 | SZ8063.1 .050 x 005VZ | | | | | | | |
| 50 | 30 | G1/8 | on the side | 212 | M8 | 8 | 1500 | 2310 | 75 | 10 | 65 | SZ8063.1 .050 x 010VZ | | | | | | | |
| | | | | | | | 1500 | 2400 | 85 | 15 | 70 | SZ8063.1 .050 x 015VZ | | | | | | | |
| | | | | | | | 1500 | 2400 | 93 | 19 | 74 | SZ8063.1 .050 x 019VZ | | | | | | | |
| | | | | | | | 1500 | 2400 | 105 | 25 | 80 | SZ8063.1 .050 x 025VZ | | | | | | | |
| | | | | | | | 1500 | 2400 | 119 | 32 | 87 | SZ8063.1 .050 x 032VZ | | | | | | | |
| | | | | | | | 1500 | 2400 | 131 | 38 | 93 | SZ8063.1 .050 x 038VZ | | | | | | | |
| | | | | | | | 1500 | 2400 | 155 | 50 | 105 | SZ8063.1 .050 x 050VZ | | | | | | | |
| | | | | | | | 1500 | 2400 | 181 | 63 | 118 | SZ8063.1 .050 x 063VZ | | | | | | | |
| | | | | | | | 1500 | 2400 | 220 | 80 | 140 | SZ8063.1 .050 x 080VZ | | | | | | | |
| | | | | | | | 1500 | 2400 | 255 | 100 | 155 | SZ8063.1 .050 x 100VZ | | | | | | | |
| | | | | | | | 1500 | 2400 | 305 | 125 | 180 | SZ8063.1 .050 x 125VZ | | | | | | | |
| | | | | | | | 63 | 38 | G1/8 | on the side | 176 | | | 2000 | 2720 | 65 | 5 | 60 | SZ8063.1 .063 x 005VZ |
| | | | | | | | 63 | 38 | G1/8 | on the side | 176 | M8 | 8 | 2000 | 3080 | 75 | 10 | 65 | SZ8063.1 .063 x 010VZ |
| 2000 | 3200 | 85 | 15 | 70 | SZ8063.1 .063 x 015VZ | | | | | | | | | | | | | | |
| 2000 | 3200 | 93 | 19 | 74 | SZ8063.1 .063 x 019VZ | | | | | | | | | | | | | | |
| 2000 | 3200 | 105 | 25 | 80 | SZ8063.1 .063 x 025VZ | | | | | | | | | | | | | | |
| 2000 | 3200 | 119 | 32 | 87 | SZ8063.1 .063 x 032VZ | | | | | | | | | | | | | | |
| 2000 | 3200 | 131 | 38 | 93 | SZ8063.1 .063 x 038VZ | | | | | | | | | | | | | | |
| 2000 | 3200 | 155 | 50 | 105 | SZ8063.1 .063 x 050VZ | | | | | | | | | | | | | | |
| 2000 | 3200 | 181 | 63 | 118 | SZ8063.1 .063 x 063VZ | | | | | | | | | | | | | | |

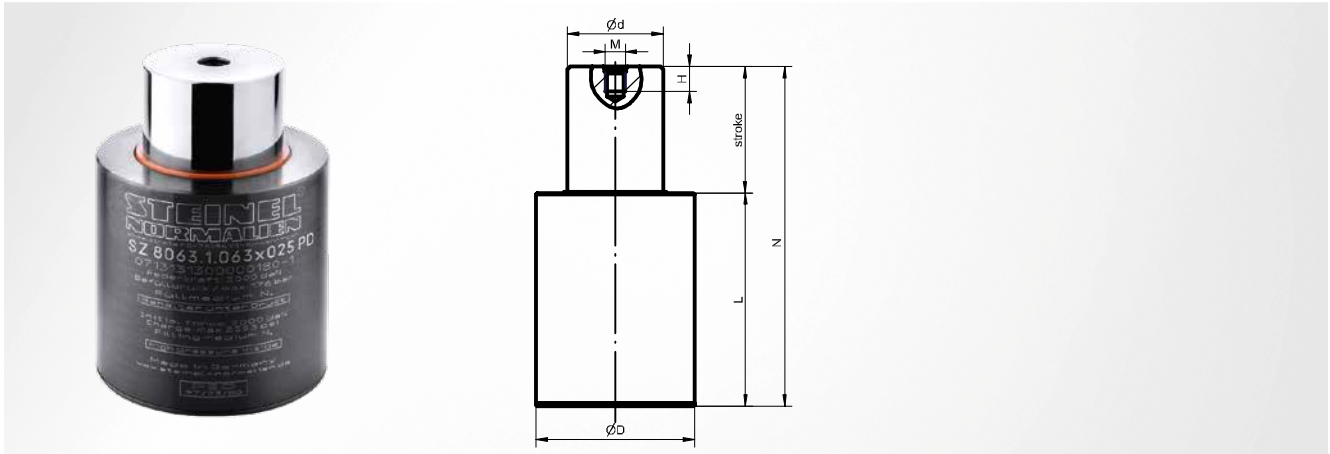
SZ8063.1.VZ Connecting nitrogen cylinder



2 connections, with burst protection

| D | d | Connecting thread | Position connecting thread | Filling pressure max. bar | M | H |  |  | N | Stroke | L | Item number |
|------|------|-------------------|----------------------------|---------------------------|-----------------------|---|---|---|-----|--------|-----|-----------------------|
| | | | | | | | daN | daN | | | | |
| 63 | 38 | G1/8 | on the side | 176 | M8 | 8 | 2000 | 3200 | 220 | 80 | 140 | SZ8063.1 .063 x 080VZ |
| | | | | | | | 2000 | 3200 | 255 | 100 | 155 | SZ8063.1 .063 x 100VZ |
| | | | | | | | 2000 | 3200 | 305 | 125 | 180 | SZ8063.1 .063 x 125VZ |
| 75 | 45 | G1/8 | on the side | 189 | | | 3000 | 4050 | 70 | 5 | 65 | SZ8063.1 .075 x 005VZ |
| 75 | 45 | G1/8 | on the side | 189 | M8 | 8 | 3000 | 4590 | 80 | 10 | 70 | SZ8063.1 .075 x 010VZ |
| | | | | | | | 3000 | 4800 | 90 | 15 | 75 | SZ8063.1 .075 x 015VZ |
| | | | | | | | 3000 | 4800 | 98 | 19 | 79 | SZ8063.1 .075 x 019VZ |
| | | | | | | | 3000 | 4800 | 110 | 25 | 85 | SZ8063.1 .075 x 025VZ |
| | | | | | | | 3000 | 4800 | 124 | 32 | 92 | SZ8063.1 .075 x 032VZ |
| | | | | | | | 3000 | 4800 | 136 | 38 | 98 | SZ8063.1 .075 x 038VZ |
| | | | | | | | 3000 | 4800 | 160 | 50 | 110 | SZ8063.1 .075 x 050VZ |
| | | | | | | | 3000 | 4800 | 186 | 63 | 123 | SZ8063.1 .075 x 063VZ |
| | | | | | | | 3000 | 4800 | 215 | 80 | 140 | SZ8063.1 .075 x 080VZ |
| | | | | | | | 3000 | 4800 | 265 | 100 | 165 | SZ8063.1 .075 x 100VZ |
| 3000 | 4800 | 315 | 125 | 190 | SZ8063.1 .075 x 125VZ | | | | | | | |
| 95 | 55 | G1/8 | on the side | 210 | | | 5000 | 7000 | 80 | 5 | 75 | SZ8063.1 .095 x 005VZ |
| 95 | 55 | G1/8 | on the side | 210 | M8 | 8 | 5000 | 7800 | 90 | 10 | 80 | SZ8063.1 .095 x 010VZ |
| | | | | | | | 5000 | 8000 | 100 | 15 | 85 | SZ8063.1 .095 x 015VZ |
| | | | | | | | 5000 | 8000 | 108 | 19 | 89 | SZ8063.1 .095 x 019VZ |
| | | | | | | | 5000 | 8000 | 120 | 25 | 95 | SZ8063.1 .095 x 025VZ |
| | | | | | | | 5000 | 8000 | 134 | 32 | 102 | SZ8063.1 .095 x 032VZ |
| | | | | | | | 5000 | 8000 | 145 | 38 | 107 | SZ8063.1 .095 x 038VZ |
| | | | | | | | 5000 | 8000 | 170 | 50 | 120 | SZ8063.1 .095 x 050VZ |
| | | | | | | | 5000 | 8000 | 196 | 63 | 133 | SZ8063.1 .095 x 063VZ |
| | | | | | | | 5000 | 8000 | 230 | 80 | 150 | SZ8063.1 .095 x 080VZ |
| | | | | | | | 5000 | 8000 | 270 | 100 | 170 | SZ8063.1 .095 x 100VZ |
| 5000 | 8000 | 320 | 125 | 195 | SZ8063.1 .095 x 125VZ | | | | | | | |





Base

Composite plate floor

Burst protection

not integrated

Filling

carried out via composite system

Delivery

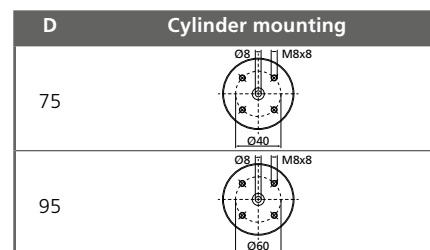
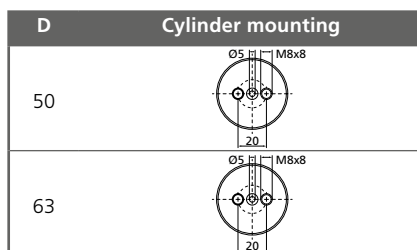
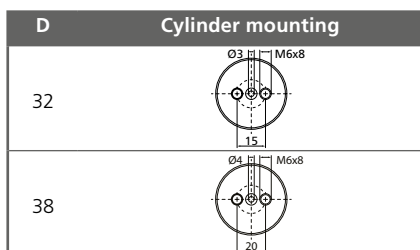
will be supplied unfilled

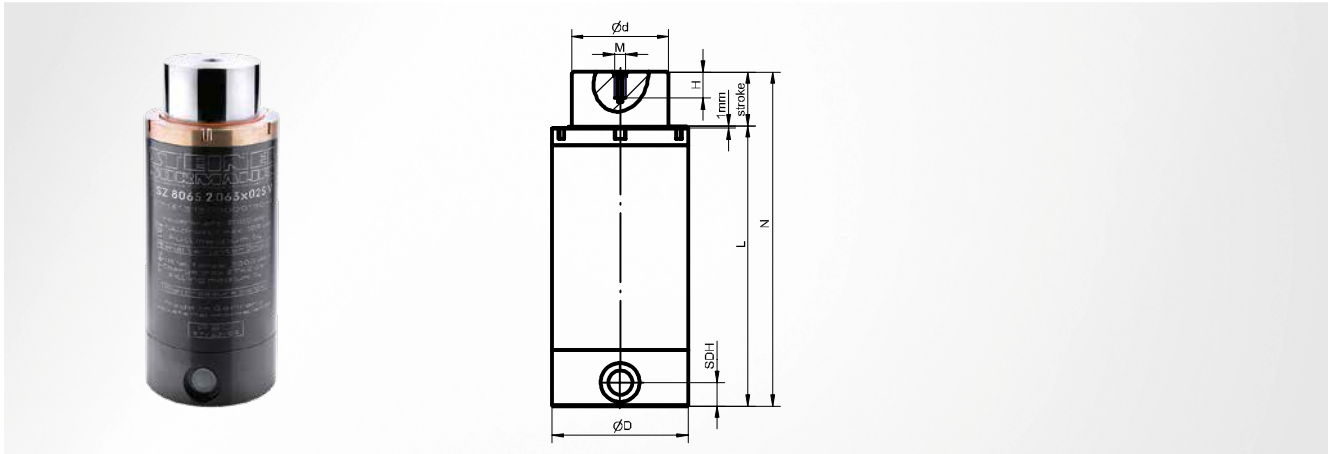
Installation instruction

Springs are screwed on through the composite panel by means of the base mounting threads; the plate must be flat and have a minimum surface roughness of Rz 6.3 in the area of the spring diameter; composite plate springs must be filled with oil to 1 % of the volume of the spring; filling is carried out via the connected control panel

| D | d | Filling pressure max. bar | M | H | | | N | Stroke | L | Item number |
|-----|------|---------------------------|-----|-----|-----------------------|------|-----|--------|-----|-----------------------|
| | | | | | daN | daN | | | | |
| 32 | 18 | 196 | | | 500 | 700 | 40 | 5 | 35 | SZ8063.1 .032 x 005PD |
| 32 | 18 | 196 | M6 | 6 | 500 | 760 | 50 | 10 | 40 | SZ8063.1 .032 x 010PD |
| | | | | | 500 | 800 | 56 | 13 | 43 | SZ8063.1 .032 x 013PD |
| | | | | | 500 | 800 | 60 | 15 | 45 | SZ8063.1 .032 x 015PD |
| | | | | | 500 | 800 | 68 | 19 | 49 | SZ8063.1 .032 x 019PD |
| | | | | | 500 | 800 | 80 | 25 | 55 | SZ8063.1 .032 x 025PD |
| | | | | | 500 | 800 | 94 | 32 | 62 | SZ8063.1 .032 x 032PD |
| | | | | | 500 | 800 | 106 | 38 | 68 | SZ8063.1 .032 x 038PD |
| | | | | | 500 | 800 | 130 | 50 | 80 | SZ8063.1 .032 x 050PD |
| | | | | | 500 | 800 | 156 | 63 | 93 | SZ8063.1 .032 x 063PD |
| | | | | | 500 | 800 | 190 | 80 | 110 | SZ8063.1 .032 x 080PD |
| | | | | | 500 | 800 | 230 | 100 | 130 | SZ8063.1 .032 x 100PD |
| 500 | 800 | 280 | 125 | 155 | SZ8063.1 .032 x 125PD | | | | | |
| 38 | 22 | 197 | | | 750 | 1050 | 40 | 5 | 35 | SZ8063.1 .038 x 005PD |
| 38 | 22 | 197 | M6 | 6 | 750 | 1155 | 50 | 10 | 40 | SZ8063.1 .038 x 010PD |
| | | | | | 750 | 1200 | 56 | 13 | 43 | SZ8063.1 .038 x 013PD |
| | | | | | 750 | 1200 | 60 | 15 | 45 | SZ8063.1 .038 x 015PD |
| | | | | | 750 | 1200 | 68 | 19 | 49 | SZ8063.1 .038 x 019PD |
| | | | | | 750 | 1200 | 80 | 25 | 55 | SZ8063.1 .038 x 025PD |
| | | | | | 750 | 1200 | 94 | 32 | 62 | SZ8063.1 .038 x 032PD |
| | | | | | 750 | 1200 | 106 | 38 | 68 | SZ8063.1 .038 x 038PD |
| | | | | | 750 | 1200 | 130 | 50 | 80 | SZ8063.1 .038 x 050PD |
| | | | | | 750 | 1200 | 156 | 63 | 93 | SZ8063.1 .038 x 063PD |
| | | | | | 750 | 1200 | 190 | 80 | 110 | SZ8063.1 .038 x 080PD |
| | | | | | 750 | 1200 | 230 | 100 | 130 | SZ8063.1 .038 x 100PD |
| 750 | 1200 | 280 | 125 | 155 | SZ8063.1 .038 x 125PD | | | | | |
| 50 | 30 | 212 | | | 1500 | 2130 | 45 | 5 | 40 | SZ8063.1 .050 x 005PD |
| 50 | 30 | 212 | M8 | 8 | 1500 | 2310 | 55 | 10 | 45 | SZ8063.1 .050 x 010PD |
| | | | | | 1500 | 2400 | 65 | 15 | 50 | SZ8063.1 .050 x 015PD |
| | | | | | 1500 | 2400 | 73 | 19 | 54 | SZ8063.1 .050 x 019PD |
| | | | | | 1500 | 2400 | 85 | 25 | 60 | SZ8063.1 .050 x 025PD |

| D | d | Filling pressure max. bar | M | H | daN | daN | N | Stroke | L | Item number | | | | | |
|------|------|---------------------------|-----|-----|------|------|-----|--------|-----|-----------------------|------|----|----|----|-----------------------|
| 50 | 30 | 212 | M8 | 8 | 1500 | 2400 | 99 | 32 | 67 | SZ8063.1 .050 x 032PD | | | | | |
| | | | | | 1500 | 2400 | 111 | 38 | 73 | SZ8063.1 .050 x 038PD | | | | | |
| | | | | | 1500 | 2400 | 135 | 50 | 85 | SZ8063.1 .050 x 050PD | | | | | |
| | | | | | 1500 | 2400 | 161 | 63 | 98 | SZ8063.1 .050 x 063PD | | | | | |
| | | | | | 1500 | 2400 | 200 | 80 | 120 | SZ8063.1 .050 x 080PD | | | | | |
| | | | | | 1500 | 2400 | 235 | 100 | 135 | SZ8063.1 .050 x 100PD | | | | | |
| | | | | | 1500 | 2400 | 285 | 125 | 160 | SZ8063.1 .050 x 125PD | | | | | |
| 63 | 38 | 176 | | | 2000 | 2720 | 45 | 5 | 40 | SZ8063.1 .063 x 005PD | | | | | |
| 63 | 38 | 176 | M8 | 8 | 2000 | 3080 | 55 | 10 | 45 | SZ8063.1 .063 x 010PD | | | | | |
| | | | | | 2000 | 3200 | 65 | 15 | 50 | SZ8063.1 .063 x 015PD | | | | | |
| | | | | | 2000 | 3200 | 73 | 19 | 54 | SZ8063.1 .063 x 019PD | | | | | |
| | | | | | 2000 | 3200 | 85 | 25 | 60 | SZ8063.1 .063 x 025PD | | | | | |
| | | | | | 2000 | 3200 | 99 | 32 | 67 | SZ8063.1 .063 x 032PD | | | | | |
| | | | | | 2000 | 3200 | 111 | 38 | 73 | SZ8063.1 .063 x 038PD | | | | | |
| | | | | | 2000 | 3200 | 135 | 50 | 85 | SZ8063.1 .063 x 050PD | | | | | |
| | | | | | 2000 | 3200 | 161 | 63 | 98 | SZ8063.1 .063 x 063PD | | | | | |
| | | | | | 2000 | 3200 | 200 | 80 | 120 | SZ8063.1 .063 x 080PD | | | | | |
| | | | | | 2000 | 3200 | 235 | 100 | 135 | SZ8063.1 .063 x 100PD | | | | | |
| | | | | | 2000 | 3200 | 285 | 125 | 160 | SZ8063.1 .063 x 125PD | | | | | |
| 75 | 45 | 189 | | | 3000 | 4050 | 50 | 5 | 45 | SZ8063.1 .075 x 005PD | | | | | |
| 75 | 45 | 189 | M8 | 8 | 3000 | 4590 | 60 | 10 | 50 | SZ8063.1 .075 x 010PD | | | | | |
| | | | | | 3000 | 4800 | 70 | 15 | 55 | SZ8063.1 .075 x 015PD | | | | | |
| | | | | | 3000 | 4800 | 78 | 19 | 59 | SZ8063.1 .075 x 019PD | | | | | |
| | | | | | 3000 | 4800 | 90 | 25 | 65 | SZ8063.1 .075 x 025PD | | | | | |
| | | | | | 3000 | 4800 | 104 | 32 | 72 | SZ8063.1 .075 x 032PD | | | | | |
| | | | | | 3000 | 4800 | 116 | 38 | 78 | SZ8063.1 .075 x 038PD | | | | | |
| | | | | | 3000 | 4800 | 140 | 50 | 90 | SZ8063.1 .075 x 050PD | | | | | |
| | | | | | 3000 | 4800 | 166 | 63 | 103 | SZ8063.1 .075 x 063PD | | | | | |
| | | | | | 3000 | 4800 | 205 | 80 | 125 | SZ8063.1 .075 x 080PD | | | | | |
| | | | | | 3000 | 4800 | 245 | 100 | 145 | SZ8063.1 .075 x 100PD | | | | | |
| | | | | | 3000 | 4800 | 295 | 125 | 170 | SZ8063.1 .075 x 125PD | | | | | |
| | | | | | 95 | 55 | 210 | | | 5000 | 7000 | 60 | 5 | 55 | SZ8063.1 .095 x 005PD |
| | | | | | 95 | 55 | 210 | M8 | 8 | 5000 | 7800 | 70 | 10 | 60 | SZ8063.1 .095 x 010PD |
| 5000 | 8000 | 80 | 15 | 65 | | | | | | SZ8063.1 .095 x 015PD | | | | | |
| 5000 | 8000 | 88 | 19 | 69 | | | | | | SZ8063.1 .095 x 019PD | | | | | |
| 5000 | 8000 | 100 | 25 | 75 | | | | | | SZ8063.1 .095 x 025PD | | | | | |
| 5000 | 8000 | 114 | 32 | 82 | | | | | | SZ8063.1 .095 x 032PD | | | | | |
| 5000 | 8000 | 125 | 38 | 87 | | | | | | SZ8063.1 .095 x 038PD | | | | | |
| 5000 | 8000 | 150 | 50 | 100 | | | | | | SZ8063.1 .095 x 050PD | | | | | |
| 5000 | 8000 | 176 | 63 | 113 | | | | | | SZ8063.1 .095 x 063PD | | | | | |
| 5000 | 8000 | 210 | 80 | 130 | | | | | | SZ8063.1 .095 x 080PD | | | | | |
| 5000 | 8000 | 250 | 100 | 150 | | | | | | SZ8063.1 .095 x 100PD | | | | | |
| 5000 | 8000 | 300 | 125 | 175 | | | | | | SZ8063.1 .095 x 125PD | | | | | |





Base

Composite base

Burst protection

not integrated

Filling

carried out via composite system

Delivery

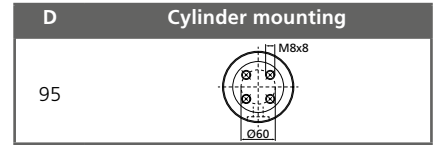
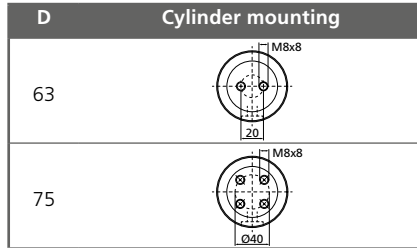
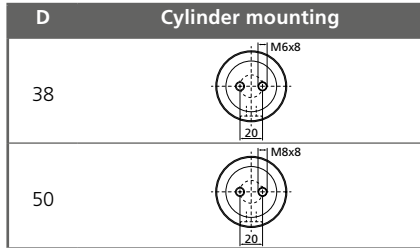
will be supplied unfilled

Installation instruction

Spring is equipped to be connected on its side with G1/8 male stud couplings; filling is carried out via the connected control panel; SDH = the height of the lateral connection is 11 mm

| D | d | Connecting thread | Position connecting thread | Filling pressure max. bar | daN | daN | M | H | N | Stroke | L | Item number |
|----|----|-------------------|----------------------------|---------------------------|------|-------|----|---|-----|--------|-----|----------------------|
| 38 | 25 | G1/8 | on the side | 205 | 1000 | 1600 | M6 | 6 | 95 | 10 | 85 | SZ8065.2 .038 x 010V |
| | | | | | | | | | | 15 | 90 | SZ8065.2 .038 x 015V |
| | | | | | | | | | | 25 | 100 | SZ8065.2 .038 x 025V |
| | | | | | | | | | | 38 | 117 | SZ8065.2 .038 x 038V |
| | | | | | | | | | | 50 | 130 | SZ8065.2 .038 x 050V |
| | | | | | | | | | | 63 | 162 | SZ8065.2 .038 x 063V |
| | | | | | | | | | | 80 | 180 | SZ8065.2 .038 x 080V |
| 50 | 35 | G1/8 | on the side | 209 | 2000 | 3200 | M8 | 8 | 125 | 10 | 115 | SZ8065.2 .050 x 010V |
| | | | | | | | | | | 15 | 120 | SZ8065.2 .050 x 015V |
| | | | | | | | | | | 25 | 130 | SZ8065.2 .050 x 025V |
| | | | | | | | | | | 38 | 147 | SZ8065.2 .050 x 038V |
| | | | | | | | | | | 50 | 160 | SZ8065.2 .050 x 050V |
| | | | | | | | | | | 63 | 177 | SZ8065.2 .050 x 063V |
| | | | | | | | | | | 80 | 195 | SZ8065.2 .050 x 080V |
| 63 | 45 | G1/8 | on the side | 189 | 3000 | 4800 | M8 | 8 | 125 | 10 | 115 | SZ8065.2 .063 x 010V |
| | | | | | | | | | | 15 | 120 | SZ8065.2 .063 x 015V |
| | | | | | | | | | | 25 | 130 | SZ8065.2 .063 x 025V |
| | | | | | | | | | | 38 | 147 | SZ8065.2 .063 x 038V |
| | | | | | | | | | | 50 | 160 | SZ8065.2 .063 x 050V |
| | | | | | | | | | | 63 | 177 | SZ8065.2 .063 x 063V |
| | | | | | | | | | | 80 | 195 | SZ8065.2 .063 x 080V |
| 75 | 56 | G1/8 | on the side | 203 | 5000 | 8000 | M8 | 8 | 135 | 10 | 125 | SZ8065.2 .075 x 010V |
| | | | | | | | | | | 15 | 130 | SZ8065.2 .075 x 015V |
| | | | | | | | | | | 25 | 140 | SZ8065.2 .075 x 025V |
| | | | | | | | | | | 38 | 157 | SZ8065.2 .075 x 038V |
| | | | | | | | | | | 50 | 170 | SZ8065.2 .075 x 050V |
| | | | | | | | | | | 63 | 197 | SZ8065.2 .075 x 063V |
| | | | | | | | | | | 80 | 215 | SZ8065.2 .075 x 080V |
| 95 | 75 | G1/8 | on the side | 182 | 8000 | 12800 | M8 | 8 | 145 | 10 | 135 | SZ8065.2 .095 x 010V |
| | | | | | | | | | | 15 | 140 | SZ8065.2 .095 x 015V |
| | | | | | | | | | | 25 | 150 | SZ8065.2 .095 x 025V |
| | | | | | | | | | | 38 | 167 | SZ8065.2 .095 x 038V |
| | | | | | | | | | | 50 | 185 | SZ8065.2 .095 x 050V |

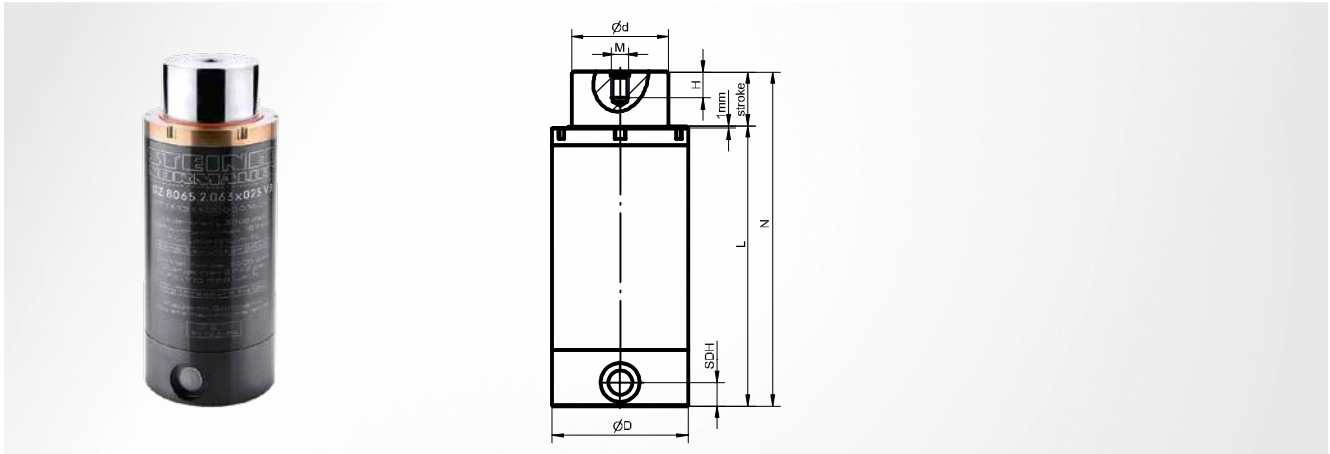
| D | d | Connecting thread | Position connecting thread | Filling pressure max. bar | daN | daN | M | H | N | Stroke | L | Item number |
|----|----|-------------------|----------------------------|---------------------------|------|-------|----|---|-----|--------|-----|----------------------|
| 95 | 75 | G1/8 | on the side | 182 | 8000 | 12800 | M8 | 8 | 275 | 63 | 212 | SZ8065.2 .095 x 063V |
| | | | | | | | | | 310 | 80 | 230 | SZ8065.2 .095 x 080V |



SZ8065.2.VB Connecting nitrogen cylinder



with burst protection



Base

Composite base; with burst protection

Delivery

will be supplied unfilled

Burst protection

integrated

Installation instruction

Spring is equipped to be connected on its side with G1/8 male stud couplings; filling is carried out via the connected control panel; SDH = the height of the lateral connection is 11 mm

Filling



carried out via composite system

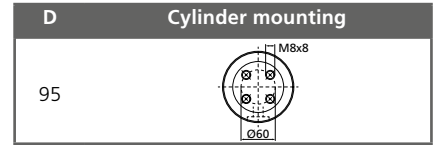
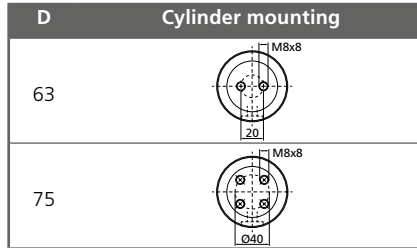
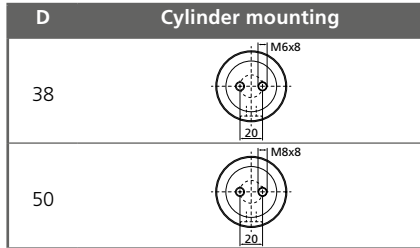
| D | d | Connecting thread | Position connecting thread | Filling pressure max. bar | daN | daN | M | H | N | Stroke | L | Item number |
|----|----|-------------------|----------------------------|---------------------------|------|-------|----|---|-----|--------|-----|-----------------------|
| 38 | 25 | G1/8 | on the side | 205 | 1000 | 1600 | M6 | 6 | 95 | 10 | 85 | SZ8065.2 .038 x 010VB |
| | | | | | | | | | 105 | 15 | 90 | SZ8065.2 .038 x 015VB |
| | | | | | | | | | 125 | 25 | 100 | SZ8065.2 .038 x 025VB |
| | | | | | | | | | 155 | 38 | 117 | SZ8065.2 .038 x 038VB |
| | | | | | | | | | 180 | 50 | 130 | SZ8065.2 .038 x 050VB |
| | | | | | | | | | 225 | 63 | 162 | SZ8065.2 .038 x 063VB |
| 50 | 35 | G1/8 | on the side | 209 | 2000 | 3200 | M8 | 8 | 125 | 10 | 115 | SZ8065.2 .050 x 010VB |
| | | | | | | | | | 135 | 15 | 120 | SZ8065.2 .050 x 015VB |
| | | | | | | | | | 155 | 25 | 130 | SZ8065.2 .050 x 025VB |
| | | | | | | | | | 185 | 38 | 147 | SZ8065.2 .050 x 038VB |
| | | | | | | | | | 210 | 50 | 160 | SZ8065.2 .050 x 050VB |
| | | | | | | | | | 240 | 63 | 177 | SZ8065.2 .050 x 063VB |
| 63 | 45 | G1/8 | on the side | 189 | 3000 | 4800 | M8 | 8 | 125 | 10 | 115 | SZ8065.2 .063 x 010VB |
| | | | | | | | | | 135 | 15 | 120 | SZ8065.2 .063 x 015VB |
| | | | | | | | | | 155 | 25 | 130 | SZ8065.2 .063 x 025VB |
| | | | | | | | | | 185 | 38 | 147 | SZ8065.2 .063 x 038VB |
| | | | | | | | | | 210 | 50 | 160 | SZ8065.2 .063 x 050VB |
| | | | | | | | | | 240 | 63 | 177 | SZ8065.2 .063 x 063VB |
| 75 | 56 | G1/8 | on the side | 203 | 5000 | 8000 | M8 | 8 | 135 | 10 | 125 | SZ8065.2 .075 x 010VB |
| | | | | | | | | | 145 | 15 | 130 | SZ8065.2 .075 x 015VB |
| | | | | | | | | | 165 | 25 | 140 | SZ8065.2 .075 x 025VB |
| | | | | | | | | | 195 | 38 | 157 | SZ8065.2 .075 x 038VB |
| | | | | | | | | | 220 | 50 | 170 | SZ8065.2 .075 x 050VB |
| | | | | | | | | | 260 | 63 | 197 | SZ8065.2 .075 x 063VB |
| 95 | 75 | G1/8 | on the side | 182 | 8000 | 12800 | M8 | 8 | 145 | 10 | 135 | SZ8065.2 .095 x 010VB |
| | | | | | | | | | 155 | 15 | 140 | SZ8065.2 .095 x 015VB |
| | | | | | | | | | 175 | 25 | 150 | SZ8065.2 .095 x 025VB |
| | | | | | | | | | 205 | 38 | 167 | SZ8065.2 .095 x 038VB |
| | | | | | | | | | 235 | 50 | 185 | SZ8065.2 .095 x 050VB |

SZ8065.2.VB Connecting nitrogen cylinder



with burst protection

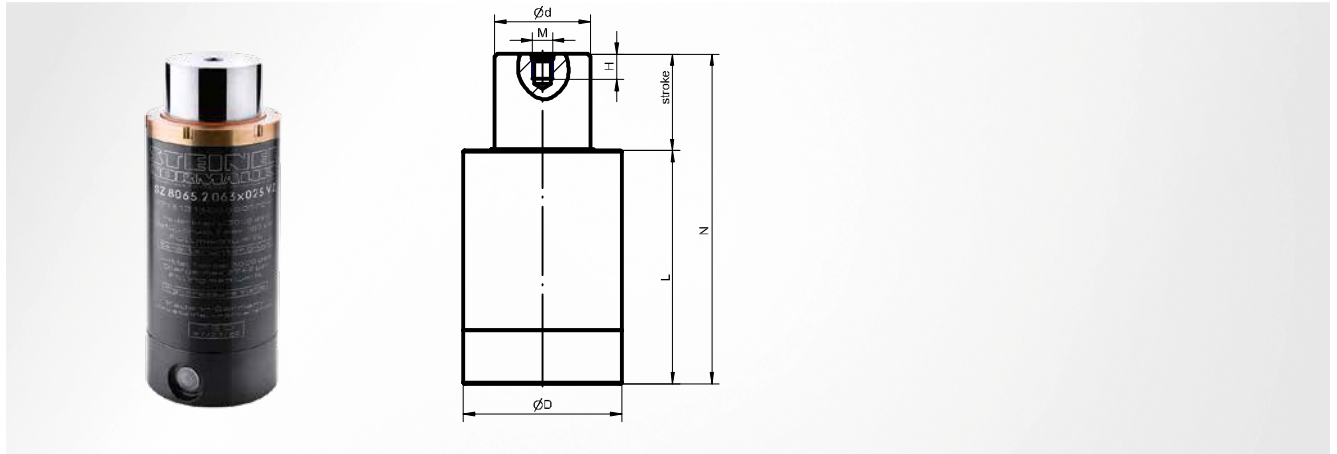
| D | d | Connecting thread | Position connecting thread | Filling pressure max. bar |  daN |  daN | M | H | N | Stroke | L | Item number |
|----|----|-------------------|----------------------------|---------------------------|---|---|----|---|-----|--------|-----|-----------------------|
| 95 | 75 | G1/8 | on the side | 182 | 8000 | 12800 | M8 | 8 | 275 | 63 | 212 | SZ8065.2 .095 x 063VB |
| | | | | | | | | | 310 | 80 | 230 | SZ8065.2 .095 x 080VB |



SZ8065.2.VZ Connecting nitrogen cylinder



2 connections, with burst protection



Base

Composite base; with burst protection; 2 connections

Delivery

will be supplied unfilled

Burst protection

integrated

Installation instruction

Spring is equipped to be connected on its side with G1/8 male stud couplings; filling is carried out via the connected control panel; SDH = the height of the lateral connection is 11 mm

Filling

carried out via composite system

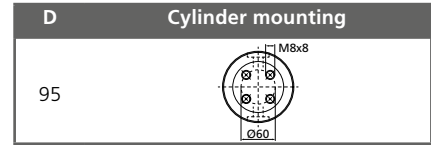
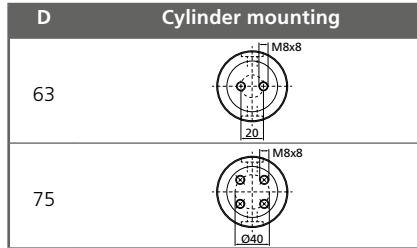
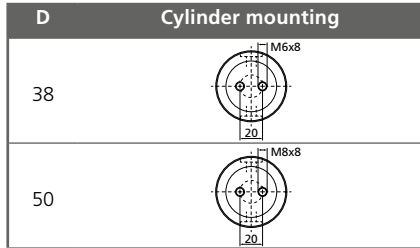
| D | d | Connecting thread | Position connecting thread | Filling pressure max. bar | daN | daN | M | H | N | Stroke | L | Item number |
|----|----|-------------------|----------------------------|---------------------------|------|-------|----|---|-----|--------|-----|-----------------------|
| 38 | 25 | G1/8 | on the side | 205 | 1000 | 1600 | M6 | 6 | 95 | 10 | 85 | SZ8065.2 .038 x 010VZ |
| | | | | | | | | | 105 | 15 | 90 | SZ8065.2 .038 x 015VZ |
| | | | | | | | | | 125 | 25 | 100 | SZ8065.2 .038 x 025VZ |
| | | | | | | | | | 155 | 38 | 117 | SZ8065.2 .038 x 038VZ |
| | | | | | | | | | 180 | 50 | 130 | SZ8065.2 .038 x 050VZ |
| | | | | | | | | | 225 | 63 | 162 | SZ8065.2 .038 x 063VZ |
| | | | | | | | | | 260 | 80 | 180 | SZ8065.2 .038 x 080VZ |
| 50 | 35 | G1/8 | on the side | 209 | 2000 | 3200 | M8 | 8 | 125 | 10 | 115 | SZ8065.2 .050 x 010VZ |
| | | | | | | | | | 135 | 15 | 120 | SZ8065.2 .050 x 015VZ |
| | | | | | | | | | 155 | 25 | 130 | SZ8065.2 .050 x 025VZ |
| | | | | | | | | | 185 | 38 | 147 | SZ8065.2 .050 x 038VZ |
| | | | | | | | | | 210 | 50 | 160 | SZ8065.2 .050 x 050VZ |
| | | | | | | | | | 240 | 63 | 177 | SZ8065.2 .050 x 063VZ |
| | | | | | | | | | 275 | 80 | 195 | SZ8065.2 .050 x 080VZ |
| 63 | 45 | G1/8 | on the side | 189 | 3000 | 4800 | M8 | 8 | 125 | 10 | 115 | SZ8065.2 .063 x 010VZ |
| | | | | | | | | | 135 | 15 | 120 | SZ8065.2 .063 x 015VZ |
| | | | | | | | | | 155 | 25 | 130 | SZ8065.2 .063 x 025VZ |
| | | | | | | | | | 185 | 38 | 147 | SZ8065.2 .063 x 038VZ |
| | | | | | | | | | 210 | 50 | 160 | SZ8065.2 .063 x 050VZ |
| | | | | | | | | | 240 | 63 | 177 | SZ8065.2 .063 x 063VZ |
| | | | | | | | | | 275 | 80 | 195 | SZ8065.2 .063 x 080VZ |
| 75 | 56 | G1/8 | on the side | 203 | 5000 | 8000 | M8 | 8 | 135 | 10 | 125 | SZ8065.2 .075 x 010VZ |
| | | | | | | | | | 145 | 15 | 130 | SZ8065.2 .075 x 015VZ |
| | | | | | | | | | 165 | 25 | 140 | SZ8065.2 .075 x 025VZ |
| | | | | | | | | | 195 | 38 | 157 | SZ8065.2 .075 x 038VZ |
| | | | | | | | | | 220 | 50 | 170 | SZ8065.2 .075 x 050VZ |
| | | | | | | | | | 260 | 63 | 197 | SZ8065.2 .075 x 063VZ |
| | | | | | | | | | 295 | 80 | 215 | SZ8065.2 .075 x 080VZ |
| 95 | 75 | G1/8 | on the side | 182 | 8000 | 12800 | M8 | 8 | 145 | 10 | 135 | SZ8065.2 .095 x 010VZ |
| | | | | | | | | | 155 | 15 | 140 | SZ8065.2 .095 x 015VZ |
| | | | | | | | | | 175 | 25 | 150 | SZ8065.2 .095 x 025VZ |
| | | | | | | | | | 205 | 38 | 167 | SZ8065.2 .095 x 038VZ |
| | | | | | | | | | 235 | 50 | 185 | SZ8065.2 .095 x 050VZ |

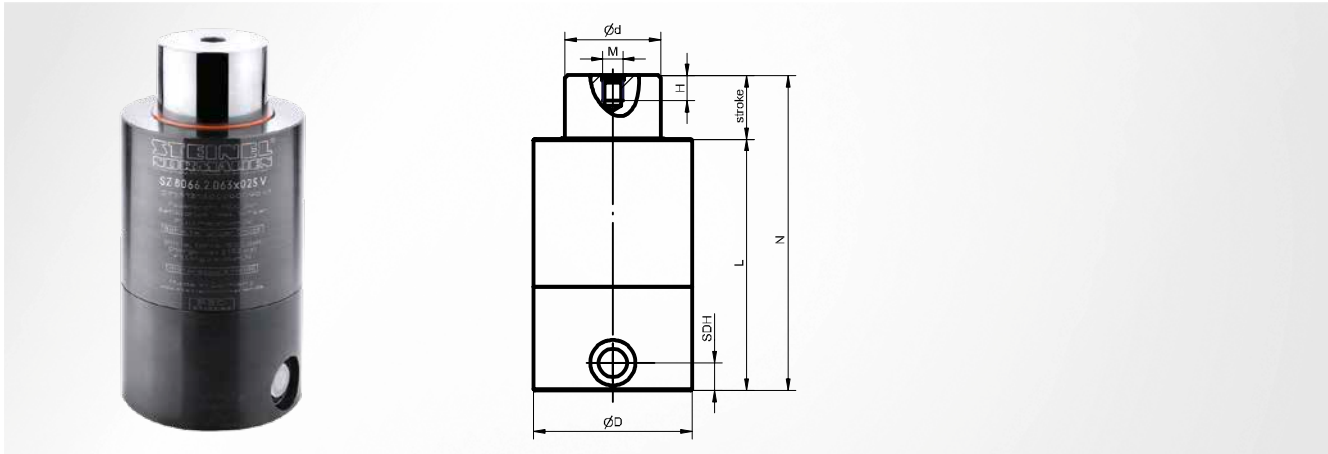
SZ8065.2.VZ Connecting nitrogen cylinder



2 connections, with burst protection

| D | d | Connecting thread | Position connecting thread | Filling pressure max. bar | daN | daN | M | H | N | Stroke | L | Item number |
|----|----|-------------------|----------------------------|---------------------------|------|-------|----|---|-----|--------|-----|-----------------------|
| 95 | 75 | G1/8 | on the side | 182 | 8000 | 12800 | M8 | 8 | 275 | 63 | 212 | SZ8065.2 .095 x 063VZ |
| | | | | | | | | | 310 | 80 | 230 | SZ8065.2 .095 x 080VZ |





Base

Composite base

Burst protection

not integrated

Filling

carried out via composite system



Delivery

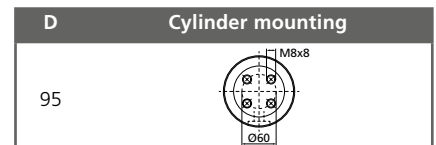
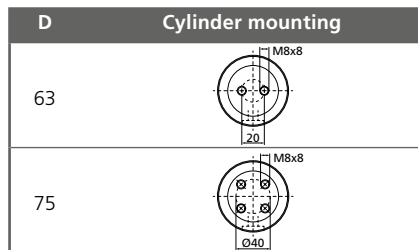
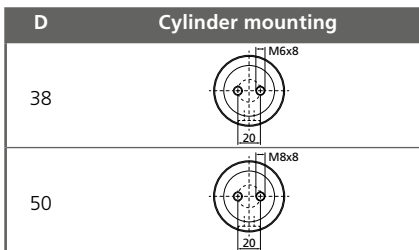
will be supplied unfilled

Installation instruction

Spring is equipped to be connected on its side with G1/8 male stud couplings; filling is carried out via the connected control panel; SDH = the height of the lateral connection is 11 mm

| D | d | Connecting thread | Position connecting thread | Filling pressure max. bar | M | H | daN | daN | N | Stroke | L | Item number |
|------|------|-------------------|----------------------------|---------------------------|----------------------|---|------|------|-----|--------|-----|----------------------|
| 38 | 22 | G1/8 | on the side | 131 | | | 500 | 700 | 75 | 5 | 70 | SZ8066.2 .038 x 005V |
| 38 | 22 | G1/8 | on the side | 131 | M6 | 6 | 500 | 770 | 85 | 10 | 75 | SZ8066.2 .038 x 010V |
| | | | | | | | 500 | 800 | 95 | 15 | 80 | SZ8066.2 .038 x 015V |
| | | | | | | | 500 | 800 | 103 | 19 | 84 | SZ8066.2 .038 x 019V |
| | | | | | | | 500 | 800 | 115 | 25 | 90 | SZ8066.2 .038 x 025V |
| | | | | | | | 500 | 800 | 129 | 32 | 97 | SZ8066.2 .038 x 032V |
| | | | | | | | 500 | 800 | 141 | 38 | 103 | SZ8066.2 .038 x 038V |
| | | | | | | | 500 | 800 | 165 | 50 | 115 | SZ8066.2 .038 x 050V |
| | | | | | | | 500 | 800 | 191 | 63 | 128 | SZ8066.2 .038 x 063V |
| | | | | | | | 500 | 800 | 225 | 80 | 145 | SZ8066.2 .038 x 080V |
| | | | | | | | 500 | 800 | 265 | 100 | 165 | SZ8066.2 .038 x 100V |
| 500 | 800 | 315 | 125 | 190 | SZ8066.2 .038 x 125V | | | | | | | |
| 50 | 30 | G1/8 | on the side | 141 | | | 1000 | 1420 | 80 | 5 | 75 | SZ8066.2 .050 x 005V |
| 50 | 30 | G1/8 | on the side | 141 | M8 | 8 | 1000 | 1540 | 90 | 10 | 80 | SZ8066.2 .050 x 010V |
| | | | | | | | 1000 | 1600 | 100 | 15 | 85 | SZ8066.2 .050 x 015V |
| | | | | | | | 1000 | 1600 | 108 | 19 | 89 | SZ8066.2 .050 x 019V |
| | | | | | | | 1000 | 1600 | 120 | 25 | 95 | SZ8066.2 .050 x 025V |
| | | | | | | | 1000 | 1600 | 134 | 32 | 102 | SZ8066.2 .050 x 032V |
| | | | | | | | 1000 | 1600 | 146 | 38 | 108 | SZ8066.2 .050 x 038V |
| | | | | | | | 1000 | 1600 | 170 | 50 | 120 | SZ8066.2 .050 x 050V |
| | | | | | | | 1000 | 1600 | 196 | 63 | 133 | SZ8066.2 .050 x 063V |
| | | | | | | | 1000 | 1600 | 230 | 80 | 150 | SZ8066.2 .050 x 080V |
| | | | | | | | 1000 | 1600 | 270 | 100 | 170 | SZ8066.2 .050 x 100V |
| 1000 | 1600 | 335 | 125 | 210 | SZ8066.2 .050 x 125V | | | | | | | |
| 63 | 38 | G1/8 | on the side | 132 | | | 1500 | 2040 | 85 | 5 | 80 | SZ8066.2 .063 x 005V |
| 63 | 38 | G1/8 | on the side | 132 | M8 | 8 | 1500 | 2310 | 95 | 10 | 85 | SZ8066.2 .063 x 010V |
| | | | | | | | 1500 | 2400 | 105 | 15 | 90 | SZ8066.2 .063 x 015V |
| | | | | | | | 1500 | 2400 | 113 | 19 | 94 | SZ8066.2 .063 x 019V |
| | | | | | | | 1500 | 2400 | 125 | 25 | 100 | SZ8066.2 .063 x 025V |
| | | | | | | | 1500 | 2400 | 139 | 32 | 107 | SZ8066.2 .063 x 032V |
| | | | | | | | 1500 | 2400 | 151 | 38 | 113 | SZ8066.2 .063 x 038V |
| | | | | | | | 1500 | 2400 | 175 | 50 | 125 | SZ8066.2 .063 x 050V |
| | | | | | | | 1500 | 2400 | 201 | 63 | 138 | SZ8066.2 .063 x 063V |

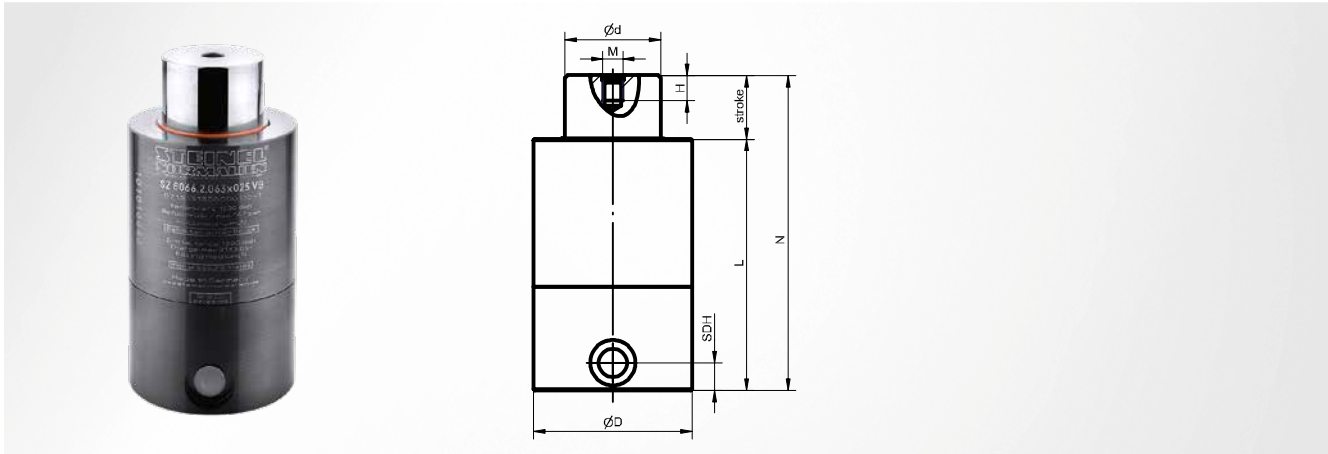
| D | d | Connecting thread | Position connecting thread | Filling pressure max. bar | M | H |  |  | N | Stroke | L | Item number | |
|------|------|-------------------|----------------------------|---------------------------|----------------------|---|---|---|-----|--------|-----|----------------------|--|
| | | | | | | | daN | daN | | | | | |
| 63 | 38 | G1/8 | on the side | 132 | M8 | 8 | 1500 | 2400 | 235 | 80 | 155 | SZ8066.2 .063 x 080V | |
| | | | | | | | 1500 | 2400 | 280 | 100 | 180 | SZ8066.2 .063 x 100V | |
| | | | | | | | 1500 | 2400 | 335 | 125 | 210 | SZ8066.2 .063 x 125V | |
| 75 | 45 | G1/8 | on the side | 157 | M8 | 8 | 2500 | 3375 | 85 | 5 | 80 | SZ8066.2 .075 x 005V | |
| 75 | 45 | G1/8 | on the side | 157 | | | 2500 | 3825 | 95 | 10 | 85 | SZ8066.2 .075 x 010V | |
| | | | | | | | 2500 | 4000 | 105 | 15 | 90 | SZ8066.2 .075 x 015V | |
| | | | | | | | 2500 | 4000 | 113 | 19 | 94 | SZ8066.2 .075 x 019V | |
| | | | | | | | 2500 | 4000 | 125 | 25 | 100 | SZ8066.2 .075 x 025V | |
| | | | | | | | 2500 | 4000 | 139 | 32 | 107 | SZ8066.2 .075 x 032V | |
| | | | | | | | 2500 | 4000 | 151 | 38 | 113 | SZ8066.2 .075 x 038V | |
| | | | | | | | 2500 | 4000 | 175 | 50 | 125 | SZ8066.2 .075 x 050V | |
| | | | | | | | 2500 | 4000 | 201 | 63 | 138 | SZ8066.2 .075 x 063V | |
| | | | | | | | 2500 | 4000 | 235 | 80 | 155 | SZ8066.2 .075 x 080V | |
| | | | | | | | 2500 | 4000 | 275 | 100 | 175 | SZ8066.2 .075 x 100V | |
| 2500 | 4000 | 345 | 125 | 220 | SZ8066.2 .075 x 125V | | | | | | | | |
| 95 | 55 | G1/8 | on the side | 168 | M8 | 8 | 4000 | 5600 | 95 | 5 | 90 | SZ8066.2 .095 x 005V | |
| 95 | 55 | G1/8 | on the side | 168 | | | 4000 | 6240 | 105 | 10 | 95 | SZ8066.2 .095 x 010V | |
| | | | | | | | 4000 | 6400 | 115 | 15 | 100 | SZ8066.2 .095 x 015V | |
| | | | | | | | 4000 | 6400 | 123 | 19 | 104 | SZ8066.2 .095 x 019V | |
| | | | | | | | 4000 | 6400 | 135 | 25 | 110 | SZ8066.2 .095 x 025V | |
| | | | | | | | 4000 | 6400 | 149 | 32 | 117 | SZ8066.2 .095 x 032V | |
| | | | | | | | 4000 | 6400 | 161 | 38 | 123 | SZ8066.2 .095 x 038V | |
| | | | | | | | 4000 | 6400 | 185 | 50 | 135 | SZ8066.2 .095 x 050V | |
| | | | | | | | 4000 | 6400 | 211 | 63 | 148 | SZ8066.2 .095 x 063V | |
| | | | | | | | 4000 | 6400 | 255 | 80 | 175 | SZ8066.2 .095 x 080V | |
| | | | | | | | 4000 | 6400 | 305 | 100 | 205 | SZ8066.2 .095 x 100V | |
| 4000 | 6400 | 365 | 125 | 240 | SZ8066.2 .095 x 125V | | | | | | | | |



SZ8066.2.VB Connecting nitrogen cylinder



with burst protection



Base

Composite base; with burst protection

Delivery

will be supplied unfilled

Burst protection



integrated

Installation instruction

Spring is equipped to be connected on its side with G1/8 male stud couplings; filling is carried out via the connected control panel; SDH = the height of the lateral connection is 11 mm

Filling

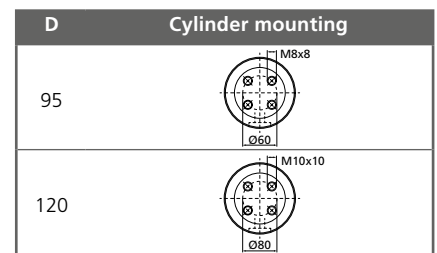
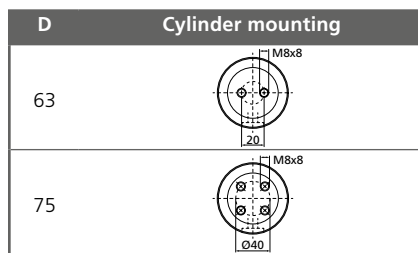
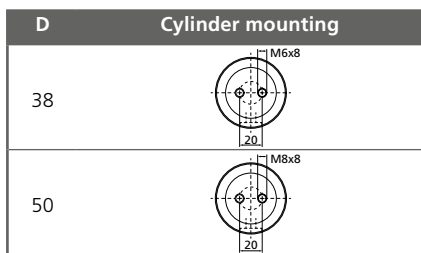
carried out via composite system

| D | d | Filling thread | Position filling thread | Filling pressure max. bar | M | H |  |  | N | Stroke | L | Item number |
|------|------|----------------|-------------------------|---------------------------|-----------------------|---|---|---|-----|--------|-----|-----------------------|
| | | | | | | | daN | daN | | | | |
| 38 | 22 | G1/8 | on the side | 131 | | | 500 | 700 | 75 | 5 | 70 | SZ8066.2 .038 x 005VB |
| 38 | 22 | G1/8 | on the side | 131 | M6 | 6 | 500 | 770 | 85 | 10 | 75 | SZ8066.2 .038 x 010VB |
| | | | | | | | 500 | 800 | 95 | 15 | 80 | SZ8066.2 .038 x 015VB |
| | | | | | | | 500 | 800 | 103 | 19 | 84 | SZ8066.2 .038 x 019VB |
| | | | | | | | 500 | 800 | 115 | 25 | 90 | SZ8066.2 .038 x 025VB |
| | | | | | | | 500 | 800 | 129 | 32 | 97 | SZ8066.2 .038 x 032VB |
| | | | | | | | 500 | 800 | 141 | 38 | 103 | SZ8066.2 .038 x 038VB |
| | | | | | | | 500 | 800 | 165 | 50 | 115 | SZ8066.2 .038 x 050VB |
| | | | | | | | 500 | 800 | 191 | 63 | 128 | SZ8066.2 .038 x 063VB |
| | | | | | | | 500 | 800 | 225 | 80 | 145 | SZ8066.2 .038 x 080VB |
| | | | | | | | 500 | 800 | 265 | 100 | 165 | SZ8066.2 .038 x 100VB |
| 500 | 800 | 315 | 125 | 190 | SZ8066.2 .038 x 125VB | | | | | | | |
| 50 | 30 | G1/8 | on the side | 141 | | | 1000 | 1420 | 80 | 5 | 75 | SZ8066.2 .050 x 005VB |
| 50 | 30 | G1/8 | on the side | 141 | M8 | 8 | 1000 | 1540 | 90 | 10 | 80 | SZ8066.2 .050 x 010VB |
| | | | | | | | 1000 | 1600 | 100 | 15 | 85 | SZ8066.2 .050 x 015VB |
| | | | | | | | 1000 | 1600 | 108 | 19 | 89 | SZ8066.2 .050 x 019VB |
| | | | | | | | 1000 | 1600 | 120 | 25 | 95 | SZ8066.2 .050 x 025VB |
| | | | | | | | 1000 | 1600 | 134 | 32 | 102 | SZ8066.2 .050 x 032VB |
| | | | | | | | 1000 | 1600 | 146 | 38 | 108 | SZ8066.2 .050 x 038VB |
| | | | | | | | 1000 | 1600 | 170 | 50 | 120 | SZ8066.2 .050 x 050VB |
| | | | | | | | 1000 | 1600 | 196 | 63 | 133 | SZ8066.2 .050 x 063VB |
| | | | | | | | 1000 | 1600 | 230 | 80 | 150 | SZ8066.2 .050 x 080VB |
| | | | | | | | 1000 | 1600 | 270 | 100 | 170 | SZ8066.2 .050 x 100VB |
| 1000 | 1600 | 335 | 125 | 210 | SZ8066.2 .050 x 125VB | | | | | | | |
| 63 | 38 | G1/8 | on the side | 132 | | | 1500 | 2040 | 85 | 5 | 80 | SZ8066.2 .063 x 005VB |
| 63 | 38 | G1/8 | on the side | 132 | M8 | 8 | 1500 | 2310 | 95 | 10 | 85 | SZ8066.2 .063 x 010VB |
| | | | | | | | 1500 | 2400 | 105 | 15 | 90 | SZ8066.2 .063 x 015VB |
| | | | | | | | 1500 | 2400 | 113 | 19 | 94 | SZ8066.2 .063 x 019VB |
| | | | | | | | 1500 | 2400 | 125 | 25 | 100 | SZ8066.2 .063 x 025VB |
| | | | | | | | 1500 | 2400 | 139 | 32 | 107 | SZ8066.2 .063 x 032VB |
| | | | | | | | 1500 | 2400 | 151 | 38 | 113 | SZ8066.2 .063 x 038VB |
| | | | | | | | 1500 | 2400 | 175 | 50 | 125 | SZ8066.2 .063 x 050VB |
| | | | | | | | 1500 | 2400 | 201 | 63 | 138 | SZ8066.2 .063 x 063VB |

SZ8066.2.VB Connecting nitrogen cylinder

with burst protection

| D | d | Filling thread | Position filling thread | Filling pressure max. bar | M | H | | | N | Stroke | L | Item number | |
|------|------|----------------|-------------------------|---------------------------|-----------------------|---|------|-------|-----|--------|-----|-----------------------|--|
| | | | | | | | daN | daN | | | | | |
| 63 | 38 | G1/8 | on the side | 132 | M8 | 8 | 1500 | 2400 | 235 | 80 | 155 | SZ8066.2 .063 x 080VB | |
| | | | | | | | 1500 | 2400 | 280 | 100 | 180 | SZ8066.2 .063 x 100VB | |
| | | | | | | | 1500 | 2400 | 335 | 125 | 210 | SZ8066.2 .063 x 125VB | |
| 75 | 45 | G1/8 | on the side | 157 | M8 | 8 | 2500 | 3375 | 85 | 5 | 80 | SZ8066.2 .075 x 005VB | |
| 75 | 45 | G1/8 | on the side | 157 | | | 2500 | 3825 | 95 | 10 | 85 | SZ8066.2 .075 x 010VB | |
| | | | | | | | 2500 | 4000 | 105 | 15 | 90 | SZ8066.2 .075 x 015VB | |
| | | | | | | | 2500 | 4000 | 113 | 19 | 94 | SZ8066.2 .075 x 019VB | |
| | | | | | | | 2500 | 4000 | 125 | 25 | 100 | SZ8066.2 .075 x 025VB | |
| | | | | | | | 2500 | 4000 | 139 | 32 | 107 | SZ8066.2 .075 x 032VB | |
| | | | | | | | 2500 | 4000 | 151 | 38 | 113 | SZ8066.2 .075 x 038VB | |
| | | | | | | | 2500 | 4000 | 175 | 50 | 125 | SZ8066.2 .075 x 050VB | |
| | | | | | | | 2500 | 4000 | 201 | 63 | 138 | SZ8066.2 .075 x 063VB | |
| | | | | | | | 2500 | 4000 | 235 | 80 | 155 | SZ8066.2 .075 x 080VB | |
| 2500 | 4000 | 275 | 100 | 175 | SZ8066.2 .075 x 100VB | | | | | | | | |
| 2500 | 4000 | 345 | 125 | 220 | SZ8066.2 .075 x 125VB | | | | | | | | |
| 95 | 55 | G1/8 | on the side | 168 | M8 | 8 | 4000 | 5600 | 95 | 5 | 90 | SZ8066.2 .095 x 005VB | |
| 95 | 55 | G1/8 | on the side | 168 | | | 4000 | 6240 | 105 | 10 | 95 | SZ8066.2 .095 x 010VB | |
| | | | | | | | 4000 | 6400 | 115 | 15 | 100 | SZ8066.2 .095 x 015VB | |
| | | | | | | | 4000 | 6400 | 123 | 19 | 104 | SZ8066.2 .095 x 019VB | |
| | | | | | | | 4000 | 6400 | 135 | 25 | 110 | SZ8066.2 .095 x 025VB | |
| | | | | | | | 4000 | 6400 | 149 | 32 | 117 | SZ8066.2 .095 x 032VB | |
| | | | | | | | 4000 | 6400 | 161 | 38 | 123 | SZ8066.2 .095 x 038VB | |
| | | | | | | | 4000 | 6400 | 185 | 50 | 135 | SZ8066.2 .095 x 050VB | |
| | | | | | | | 4000 | 6400 | 211 | 63 | 148 | SZ8066.2 .095 x 063VB | |
| | | | | | | | 4000 | 6400 | 255 | 80 | 175 | SZ8066.2 .095 x 080VB | |
| | | | | | | | 4000 | 6400 | 305 | 100 | 205 | SZ8066.2 .095 x 100VB | |
| 4000 | 6400 | 365 | 125 | 240 | SZ8066.2 .095 x 125VB | | | | | | | | |
| 120 | 75 | G1/8 | on the side | 147 | M8 | 8 | 6500 | 10400 | 145 | 25 | 120 | SZ8066.2 .120 x 025VB | |
| | | | | | | | 6500 | 10400 | 171 | 38 | 133 | SZ8066.2 .120 x 038VB | |
| | | | | | | | 6500 | 10400 | 195 | 50 | 145 | SZ8066.2 .120 x 050VB | |
| | | | | | | | 6500 | 10400 | 221 | 63 | 158 | SZ8066.2 .120 x 063VB | |
| | | | | | | | 6500 | 10400 | 260 | 80 | 180 | SZ8066.2 .120 x 080VB | |
| | | | | | | | 6500 | 10400 | 310 | 100 | 210 | SZ8066.2 .120 x 100VB | |
| | | | | | | | 6500 | 10400 | 370 | 125 | 245 | SZ8066.2 .120 x 125VB | |
| | | | | | | | 6500 | 10400 | 450 | 160 | 290 | SZ8066.2 .120 x 160VB | |
| | | | | | | | 6500 | 10400 | 540 | 200 | 340 | SZ8066.2 .120 x 200VB | |
| | | | | | | | 6500 | 10400 | 570 | 210 | 360 | SZ8066.2 .120 x 210VB | |



Tapping units

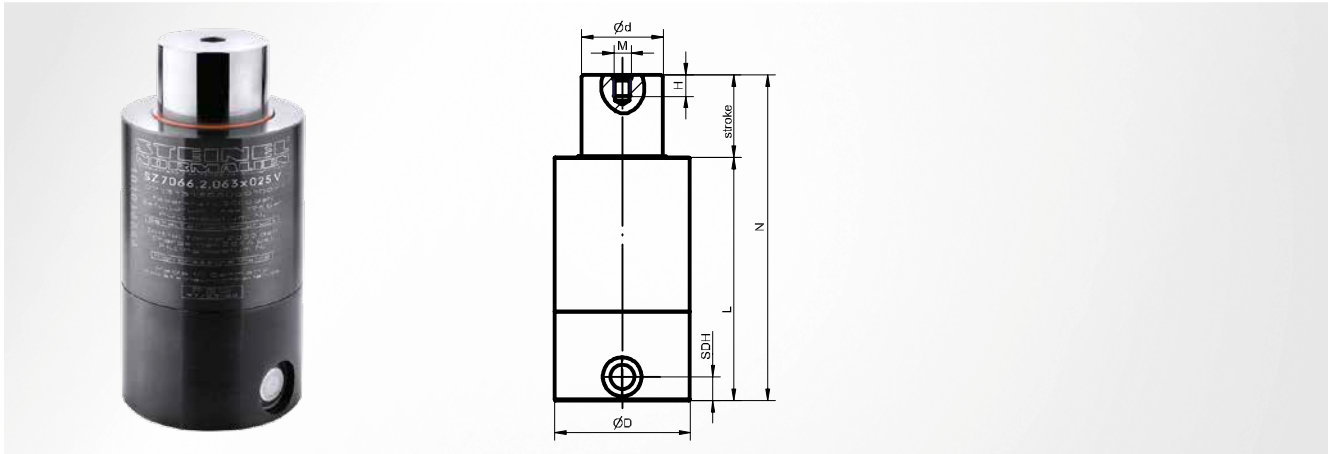
Module system

Machine elements

Accessories

SZ7066.2.V Connecting nitrogen cylinder

version extra heavy



Base

Composite base

Burst protection

not integrated

Filling



carried out via composite system

Delivery

will be supplied unfilled

Installation instruction



Spring is equipped to be connected on its side with G1/8 male stud couplings; filling is carried out via the connected control panel; SDH = the height of the lateral connection is 11 mm

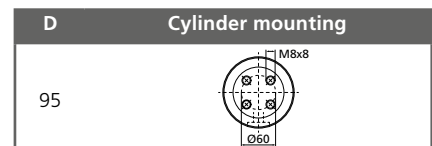
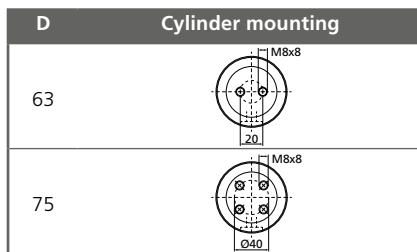
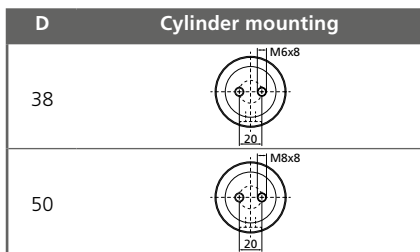
| D | d | Filling thread | Position filling thread | Filling pressure max. bar | M | H |  |  | N | Stroke | L | Item number |
|----|----|----------------|-------------------------|---------------------------|----|---|---|---|-----|--------|-----|----------------------|
| | | | | | | | daN | daN | | | | |
| 38 | 22 | G1/8 | on the side | 197 | M6 | 6 | 750 | 1050 | 75 | 5 | 70 | SZ7066.2 .038 x 005V |
| | | | | | | | 750 | 1155 | 85 | 10 | 75 | SZ7066.2 .038 x 010V |
| | | | | | | | 750 | 1200 | 95 | 15 | 80 | SZ7066.2 .038 x 015V |
| | | | | | | | 750 | 1200 | 103 | 19 | 84 | SZ7066.2 .038 x 019V |
| | | | | | | | 750 | 1200 | 115 | 25 | 90 | SZ7066.2 .038 x 025V |
| | | | | | | | 750 | 1200 | 129 | 32 | 97 | SZ7066.2 .038 x 032V |
| | | | | | | | 750 | 1200 | 141 | 38 | 103 | SZ7066.2 .038 x 038V |
| | | | | | | | 750 | 1200 | 165 | 50 | 115 | SZ7066.2 .038 x 050V |
| | | | | | | | 750 | 1200 | 191 | 63 | 128 | SZ7066.2 .038 x 063V |
| | | | | | | | 750 | 1200 | 225 | 80 | 145 | SZ7066.2 .038 x 080V |
| | | | | | | | 750 | 1200 | 265 | 100 | 165 | SZ7066.2 .038 x 100V |
| | | | | | | | 750 | 1200 | 315 | 125 | 190 | SZ7066.2 .038 x 125V |
| 50 | 30 | G1/8 | on the side | 212 | M8 | 8 | 1500 | 2130 | 80 | 5 | 75 | SZ7066.2 .050 x 005V |
| | | | | | | | 1500 | 2310 | 90 | 10 | 80 | SZ7066.2 .050 x 010V |
| | | | | | | | 1500 | 2400 | 100 | 15 | 85 | SZ7066.2 .050 x 015V |
| | | | | | | | 1500 | 2400 | 108 | 19 | 89 | SZ7066.2 .050 x 019V |
| | | | | | | | 1500 | 2400 | 120 | 25 | 95 | SZ7066.2 .050 x 025V |
| | | | | | | | 1500 | 2400 | 134 | 32 | 102 | SZ7066.2 .050 x 032V |
| | | | | | | | 1500 | 2400 | 146 | 38 | 108 | SZ7066.2 .050 x 038V |
| | | | | | | | 1500 | 2400 | 170 | 50 | 120 | SZ7066.2 .050 x 050V |
| | | | | | | | 1500 | 2400 | 196 | 63 | 133 | SZ7066.2 .050 x 063V |
| | | | | | | | 1500 | 2400 | 230 | 80 | 150 | SZ7066.2 .050 x 080V |
| | | | | | | | 1500 | 2400 | 270 | 100 | 170 | SZ7066.2 .050 x 100V |
| | | | | | | | 1500 | 2400 | 335 | 125 | 210 | SZ7066.2 .050 x 125V |
| 63 | 38 | G1/8 | on the side | 176 | M8 | 8 | 2000 | 2720 | 85 | 5 | 80 | SZ7066.2 .063 x 005V |
| | | | | | | | 2000 | 3080 | 95 | 10 | 85 | SZ7066.2 .063 x 010V |
| | | | | | | | 2000 | 3200 | 105 | 15 | 90 | SZ7066.2 .063 x 015V |
| | | | | | | | 2000 | 3200 | 113 | 19 | 94 | SZ7066.2 .063 x 019V |
| | | | | | | | 2000 | 3200 | 125 | 25 | 100 | SZ7066.2 .063 x 025V |
| | | | | | | | 2000 | 3200 | 139 | 32 | 107 | SZ7066.2 .063 x 032V |
| | | | | | | | 2000 | 3200 | 151 | 38 | 113 | SZ7066.2 .063 x 038V |
| | | | | | | | 2000 | 3200 | 175 | 50 | 125 | SZ7066.2 .063 x 050V |
| | | | | | | | 2000 | 3200 | 201 | 63 | 138 | SZ7066.2 .063 x 063V |

SZ7066.2.V Connecting nitrogen cylinder



version extra heavy

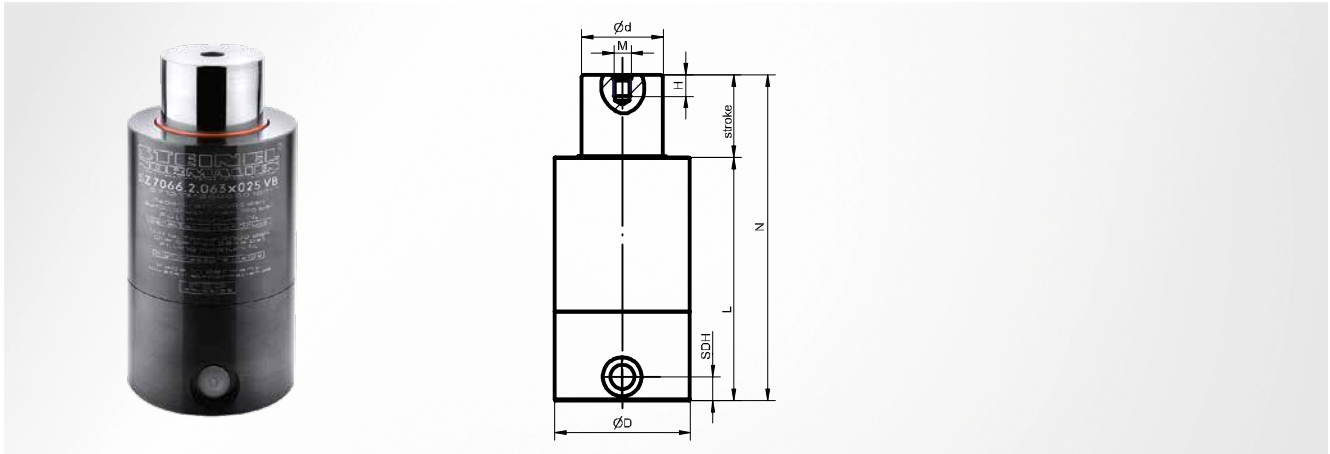
| D | d | Filling thread | Position filling thread | Filling pressure max. bar | M | H |  |  | N | Stroke | L | Item number | |
|----|----|----------------|-------------------------|---------------------------|----|---|---|---|-----|--------|-----|----------------------|--|
| | | | | | | | daN | daN | | | | | |
| 63 | 38 | G1/8 | on the side | 176 | M8 | 8 | 2000 | 3200 | 235 | 80 | 155 | SZ7066.2 .063 x 080V | |
| | | | | | | | 2000 | 3200 | 280 | 100 | 180 | SZ7066.2 .063 x 100V | |
| | | | | | | | 2000 | 3200 | 335 | 125 | 210 | SZ7066.2 .063 x 125V | |
| 75 | 45 | G1/8 | on the side | 189 | M8 | 8 | 3000 | 4050 | 85 | 5 | 80 | SZ7066.2 .075 x 005V | |
| | | | | | | | 3000 | 4590 | 95 | 10 | 85 | SZ7066.2 .075 x 010V | |
| | | | | | | | 3000 | 4800 | 105 | 15 | 90 | SZ7066.2 .075 x 015V | |
| | | | | | | | 3000 | 4800 | 113 | 19 | 94 | SZ7066.2 .075 x 019V | |
| | | | | | | | 3000 | 4800 | 125 | 25 | 100 | SZ7066.2 .075 x 025V | |
| | | | | | | | 3000 | 4800 | 139 | 32 | 107 | SZ7066.2 .075 x 032V | |
| | | | | | | | 3000 | 4800 | 151 | 38 | 113 | SZ7066.2 .075 x 038V | |
| | | | | | | | 3000 | 4800 | 175 | 50 | 125 | SZ7066.2 .075 x 050V | |
| | | | | | | | 3000 | 4800 | 201 | 63 | 138 | SZ7066.2 .075 x 063V | |
| | | | | | | | 3000 | 4800 | 235 | 80 | 155 | SZ7066.2 .075 x 080V | |
| | | | | | | | 3000 | 4800 | 275 | 100 | 175 | SZ7066.2 .075 x 100V | |
| | | | | | | | 3000 | 4800 | 345 | 125 | 220 | SZ7066.2 .075 x 125V | |
| 95 | 55 | G1/8 | on the side | 210 | M8 | 8 | 5000 | 7000 | 95 | 5 | 90 | SZ7066.2 .095 x 005V | |
| | | | | | | | 5000 | 7800 | 105 | 10 | 95 | SZ7066.2 .095 x 010V | |
| | | | | | | | 5000 | 8000 | 115 | 15 | 100 | SZ7066.2 .095 x 015V | |
| | | | | | | | 5000 | 8000 | 123 | 19 | 104 | SZ7066.2 .095 x 019V | |
| | | | | | | | 5000 | 8000 | 135 | 25 | 110 | SZ7066.2 .095 x 025V | |
| | | | | | | | 5000 | 8000 | 149 | 32 | 117 | SZ7066.2 .095 x 032V | |
| | | | | | | | 5000 | 8000 | 161 | 38 | 123 | SZ7066.2 .095 x 038V | |
| | | | | | | | 5000 | 8000 | 185 | 50 | 135 | SZ7066.2 .095 x 050V | |
| | | | | | | | 5000 | 8000 | 211 | 63 | 148 | SZ7066.2 .095 x 063V | |
| | | | | | | | 5000 | 8000 | 255 | 80 | 175 | SZ7066.2 .095 x 080V | |
| | | | | | | | 5000 | 8000 | 305 | 100 | 205 | SZ7066.2 .095 x 100V | |
| | | | | | | | 5000 | 8000 | 365 | 125 | 240 | SZ7066.2 .095 x 125V | |



SZ7066.2.VB Connecting nitrogen cylinder



version extra heavy, with burst protection



Base

Composite base; with burst protection

Delivery

will be supplied unfilled

Burst protection

integrated

Installation instruction

Spring is equipped to be connected on its side with G1/8 male stud couplings; filling is carried out via the connected control panel; SDH = the height of the lateral connection is 11 mm

Filling



carried out via composite system

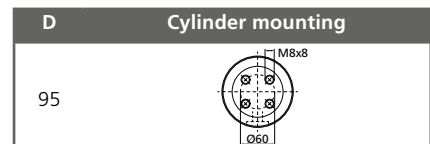
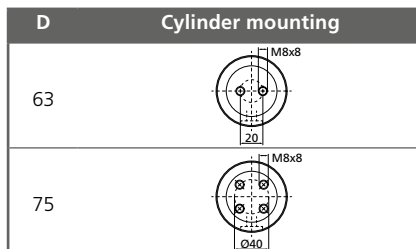
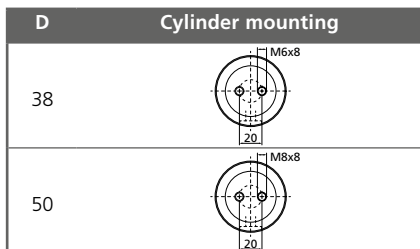
| D | d | Filling thread | Position filling thread | Filling pressure max. bar | M | H | | | N | Stroke | L | Item number |
|----|----|----------------|-------------------------|---------------------------|----|---|------|------|-----|--------|-----|-----------------------|
| | | | | | | | daN | daN | | | | |
| 38 | 22 | G1/8 | on the side | 197 | M6 | 6 | 750 | 1050 | 75 | 5 | 70 | SZ7066.2 .038 x 005VB |
| | | | | | | | 750 | 1155 | 85 | 10 | 75 | SZ7066.2 .038 x 010VB |
| | | | | | | | 750 | 1200 | 95 | 15 | 80 | SZ7066.2 .038 x 015VB |
| | | | | | | | 750 | 1200 | 103 | 19 | 84 | SZ7066.2 .038 x 019VB |
| | | | | | | | 750 | 1200 | 115 | 25 | 90 | SZ7066.2 .038 x 025VB |
| | | | | | | | 750 | 1200 | 129 | 32 | 97 | SZ7066.2 .038 x 032VB |
| | | | | | | | 750 | 1200 | 141 | 38 | 103 | SZ7066.2 .038 x 038VB |
| | | | | | | | 750 | 1200 | 165 | 50 | 115 | SZ7066.2 .038 x 050VB |
| | | | | | | | 750 | 1200 | 191 | 63 | 128 | SZ7066.2 .038 x 063VB |
| | | | | | | | 750 | 1200 | 225 | 80 | 145 | SZ7066.2 .038 x 080VB |
| | | | | | | | 750 | 1200 | 265 | 100 | 165 | SZ7066.2 .038 x 100VB |
| | | | | | | | 750 | 1200 | 315 | 125 | 190 | SZ7066.2 .038 x 125VB |
| 50 | 30 | G1/8 | on the side | 212 | M8 | 8 | 1500 | 2130 | 80 | 5 | 75 | SZ7066.2 .050 x 005VB |
| | | | | | | | 1500 | 2310 | 90 | 10 | 80 | SZ7066.2 .050 x 010VB |
| | | | | | | | 1500 | 2400 | 100 | 15 | 85 | SZ7066.2 .050 x 015VB |
| | | | | | | | 1500 | 2400 | 108 | 19 | 89 | SZ7066.2 .050 x 019VB |
| | | | | | | | 1500 | 2400 | 120 | 25 | 95 | SZ7066.2 .050 x 025VB |
| | | | | | | | 1500 | 2400 | 134 | 32 | 102 | SZ7066.2 .050 x 032VB |
| | | | | | | | 1500 | 2400 | 146 | 38 | 108 | SZ7066.2 .050 x 038VB |
| | | | | | | | 1500 | 2400 | 170 | 50 | 120 | SZ7066.2 .050 x 050VB |
| | | | | | | | 1500 | 2400 | 196 | 63 | 133 | SZ7066.2 .050 x 063VB |
| | | | | | | | 1500 | 2400 | 230 | 80 | 150 | SZ7066.2 .050 x 080VB |
| | | | | | | | 1500 | 2400 | 270 | 100 | 170 | SZ7066.2 .050 x 100VB |
| | | | | | | | 1500 | 2400 | 335 | 125 | 210 | SZ7066.2 .050 x 125VB |
| 63 | 38 | G1/8 | on the side | 176 | M8 | 8 | 2000 | 2720 | 85 | 5 | 80 | SZ7066.2 .063 x 005VB |
| | | | | | | | 2000 | 3080 | 95 | 10 | 85 | SZ7066.2 .063 x 010VB |
| | | | | | | | 2000 | 3200 | 105 | 15 | 90 | SZ7066.2 .063 x 015VB |
| | | | | | | | 2000 | 3200 | 113 | 19 | 94 | SZ7066.2 .063 x 019VB |
| | | | | | | | 2000 | 3200 | 125 | 25 | 100 | SZ7066.2 .063 x 025VB |
| | | | | | | | 2000 | 3200 | 139 | 32 | 107 | SZ7066.2 .063 x 032VB |
| | | | | | | | 2000 | 3200 | 151 | 38 | 113 | SZ7066.2 .063 x 038VB |
| | | | | | | | 2000 | 3200 | 175 | 50 | 125 | SZ7066.2 .063 x 050VB |
| | | | | | | | 2000 | 3200 | 201 | 63 | 138 | SZ7066.2 .063 x 063VB |

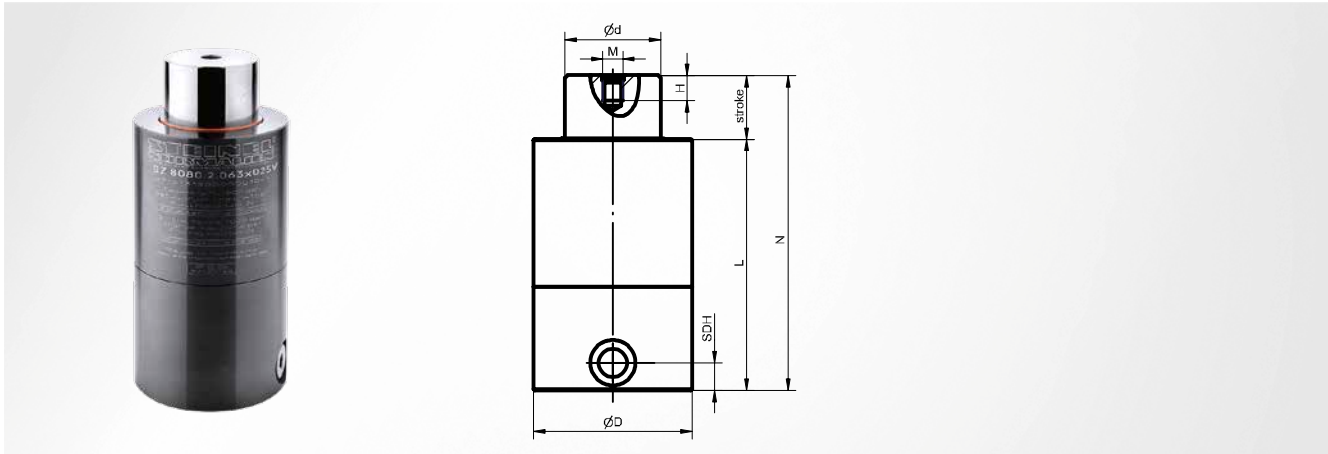
SZ7066.2.VB Connecting nitrogen cylinder



version extra heavy, with burst protection

| D | d | Filling thread | Position filling thread | Filling pressure max. bar | M | H |  daN |  daN | N | Stroke | L | Item number |
|----|----|----------------|-------------------------|---------------------------|----|---|---|---|-----|--------|-----|-----------------------|
| 63 | 38 | G1/8 | on the side | 176 | M8 | 8 | 2000 | 3200 | 235 | 80 | 155 | SZ7066.2 .063 x 080VB |
| | | | | | | | 2000 | 3200 | 280 | 100 | 180 | SZ7066.2 .063 x 100VB |
| | | | | | | | 2000 | 3200 | 335 | 125 | 210 | SZ7066.2 .063 x 125VB |
| 75 | 45 | G1/8 | on the side | 189 | M8 | 8 | 3000 | 4050 | 85 | 5 | 80 | SZ7066.2 .075 x 005VB |
| | | | | | | | 3000 | 4590 | 95 | 10 | 85 | SZ7066.2 .075 x 010VB |
| | | | | | | | 3000 | 4800 | 105 | 15 | 90 | SZ7066.2 .075 x 015VB |
| | | | | | | | 3000 | 4800 | 113 | 19 | 94 | SZ7066.2 .075 x 019VB |
| | | | | | | | 3000 | 4800 | 125 | 25 | 100 | SZ7066.2 .075 x 025VB |
| | | | | | | | 3000 | 4800 | 139 | 32 | 107 | SZ7066.2 .075 x 032VB |
| | | | | | | | 3000 | 4800 | 151 | 38 | 113 | SZ7066.2 .075 x 038VB |
| | | | | | | | 3000 | 4800 | 175 | 50 | 125 | SZ7066.2 .075 x 050VB |
| | | | | | | | 3000 | 4800 | 201 | 63 | 138 | SZ7066.2 .075 x 063VB |
| | | | | | | | 3000 | 4800 | 235 | 80 | 155 | SZ7066.2 .075 x 080VB |
| | | | | | | | 3000 | 4800 | 275 | 100 | 175 | SZ7066.2 .075 x 100VB |
| | | | | | | | 3000 | 4800 | 345 | 125 | 220 | SZ7066.2 .075 x 125VB |
| 95 | 55 | G1/8 | on the side | 210 | M8 | 8 | 5000 | 7000 | 95 | 5 | 90 | SZ7066.2 .095 x 005VB |
| | | | | | | | 5000 | 7800 | 105 | 10 | 95 | SZ7066.2 .095 x 010VB |
| | | | | | | | 5000 | 8000 | 115 | 15 | 100 | SZ7066.2 .095 x 015VB |
| | | | | | | | 5000 | 8000 | 123 | 19 | 104 | SZ7066.2 .095 x 019VB |
| | | | | | | | 5000 | 8000 | 135 | 25 | 110 | SZ7066.2 .095 x 025VB |
| | | | | | | | 5000 | 8000 | 149 | 32 | 117 | SZ7066.2 .095 x 032VB |
| | | | | | | | 5000 | 8000 | 161 | 38 | 123 | SZ7066.2 .095 x 038VB |
| | | | | | | | 5000 | 8000 | 185 | 50 | 135 | SZ7066.2 .095 x 050VB |
| | | | | | | | 5000 | 8000 | 211 | 63 | 148 | SZ7066.2 .095 x 063VB |
| | | | | | | | 5000 | 8000 | 255 | 80 | 175 | SZ7066.2 .095 x 080VB |
| | | | | | | | 5000 | 8000 | 305 | 100 | 205 | SZ7066.2 .095 x 100VB |
| | | | | | | | 5000 | 8000 | 365 | 125 | 240 | SZ7066.2 .095 x 125VB |





Base

Composite base

Burst protection

not integrated

Filling

carried out via composite system



Delivery

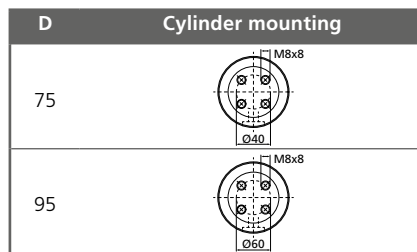
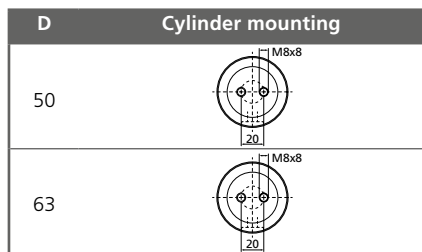
will be supplied unfilled

Installation instruction

Spring is equipped to be connected on its side with G1/8 male stud couplings; filling is carried out via the connected control panel; SDH = the height of the lateral connection is 11 mm

| D | d | Connecting thread | Position connecting thread | Filling pressure max. bar | M | H | | | N | Stroke | L | Item number |
|----|----|-------------------|----------------------------|---------------------------|----|---|------|------|-----|--------|-----|----------------------|
| | | | | | | | daN | daN | | | | |
| 50 | 30 | G1/8 | on the side | 141 | | | 1000 | 1420 | 95 | 5 | 90 | SZ8080.2 .050 x 005V |
| 50 | 30 | G1/8 | on the side | 141 | M8 | 8 | 1000 | 1540 | 105 | 10 | 95 | SZ8080.2 .050 x 010V |
| | | | | | | | 1000 | 1600 | 115 | 15 | 100 | SZ8080.2 .050 x 015V |
| | | | | | | | 1000 | 1600 | 123 | 19 | 104 | SZ8080.2 .050 x 019V |
| | | | | | | | 1000 | 1600 | 135 | 25 | 110 | SZ8080.2 .050 x 025V |
| | | | | | | | 1000 | 1600 | 149 | 32 | 117 | SZ8080.2 .050 x 032V |
| | | | | | | | 1000 | 1600 | 161 | 38 | 123 | SZ8080.2 .050 x 038V |
| | | | | | | | 1000 | 1600 | 185 | 50 | 135 | SZ8080.2 .050 x 050V |
| | | | | | | | 1000 | 1600 | 211 | 63 | 148 | SZ8080.2 .050 x 063V |
| | | | | | | | 1000 | 1600 | 245 | 80 | 165 | SZ8080.2 .050 x 080V |
| | | | | | | | 1000 | 1600 | 295 | 100 | 195 | SZ8080.2 .050 x 100V |
| | | | | | | | 1000 | 1600 | 345 | 125 | 220 | SZ8080.2 .050 x 125V |
| 63 | 38 | G1/8 | on the side | 132 | | | 1500 | 2040 | 95 | 5 | 90 | SZ8080.2 .063 x 005V |
| 63 | 38 | G1/8 | on the side | 132 | M8 | 8 | 1500 | 2310 | 105 | 10 | 95 | SZ8080.2 .063 x 010V |
| | | | | | | | 1500 | 2400 | 115 | 15 | 100 | SZ8080.2 .063 x 015V |
| | | | | | | | 1500 | 2400 | 123 | 19 | 104 | SZ8080.2 .063 x 019V |
| | | | | | | | 1500 | 2400 | 135 | 25 | 110 | SZ8080.2 .063 x 025V |
| | | | | | | | 1500 | 2400 | 149 | 32 | 117 | SZ8080.2 .063 x 032V |
| | | | | | | | 1500 | 2400 | 161 | 38 | 123 | SZ8080.2 .063 x 038V |
| | | | | | | | 1500 | 2400 | 185 | 50 | 135 | SZ8080.2 .063 x 050V |
| | | | | | | | 1500 | 2400 | 211 | 63 | 148 | SZ8080.2 .063 x 063V |
| | | | | | | | 1500 | 2400 | 245 | 80 | 165 | SZ8080.2 .063 x 080V |
| | | | | | | | 1500 | 2400 | 285 | 100 | 185 | SZ8080.2 .063 x 100V |
| | | | | | | | 1500 | 2400 | 345 | 125 | 220 | SZ8080.2 .063 x 125V |
| 75 | 45 | G1/8 | on the side | 157 | | | 2500 | 3375 | 105 | 5 | 100 | SZ8080.2 .075 x 005V |
| 75 | 45 | G1/8 | on the side | 157 | M8 | 8 | 2500 | 3825 | 115 | 10 | 105 | SZ8080.2 .075 x 010V |
| | | | | | | | 2500 | 4000 | 125 | 15 | 110 | SZ8080.2 .075 x 015V |
| | | | | | | | 2500 | 4000 | 133 | 19 | 114 | SZ8080.2 .075 x 019V |
| | | | | | | | 2500 | 4000 | 145 | 25 | 120 | SZ8080.2 .075 x 025V |
| | | | | | | | 2500 | 4000 | 159 | 32 | 127 | SZ8080.2 .075 x 032V |
| | | | | | | | 2500 | 4000 | 171 | 38 | 133 | SZ8080.2 .075 x 038V |
| | | | | | | | 2500 | 4000 | 195 | 50 | 145 | SZ8080.2 .075 x 050V |
| | | | | | | | 2500 | 4000 | 221 | 63 | 158 | SZ8080.2 .075 x 063V |

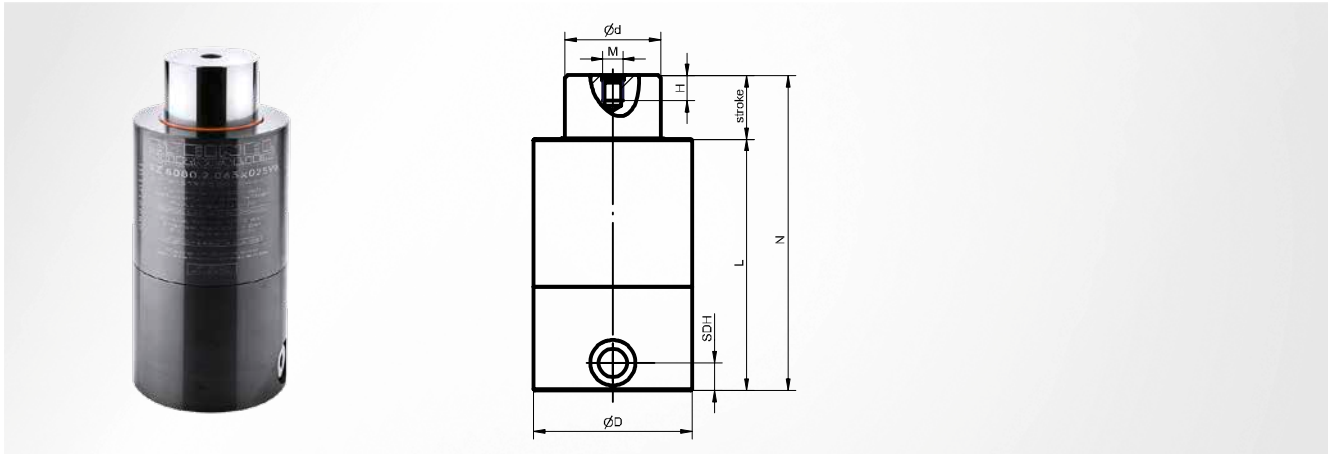
| D | d | Connecting thread | Position connecting thread | Filling pressure max. bar | M | H |  |  | N | Stroke | L | Item number |
|------|------|-------------------|----------------------------|---------------------------|----------------------|---|---|---|-----|--------|-----|----------------------|
| | | | | | | | daN | daN | | | | |
| 75 | 45 | G1/8 | on the side | 157 | M8 | 8 | 2500 | 4000 | 255 | 80 | 175 | SZ8080.2 .075 x 080V |
| | | | | | | | 2500 | 4000 | 300 | 100 | 200 | SZ8080.2 .075 x 100V |
| | | | | | | | 2500 | 4000 | 350 | 125 | 225 | SZ8080.2 .075 x 125V |
| 95 | 55 | G1/8 | on the side | 168 | | | 4000 | 5600 | 115 | 5 | 110 | SZ8080.2 .095 x 005V |
| 95 | 55 | G1/8 | on the side | 168 | M8 | 8 | 4000 | 6240 | 125 | 10 | 115 | SZ8080.2 .095 x 010V |
| | | | | | | | 4000 | 6400 | 135 | 15 | 120 | SZ8080.2 .095 x 015V |
| | | | | | | | 4000 | 6400 | 143 | 19 | 124 | SZ8080.2 .095 x 019V |
| | | | | | | | 4000 | 6400 | 155 | 25 | 130 | SZ8080.2 .095 x 025V |
| | | | | | | | 4000 | 6400 | 169 | 32 | 137 | SZ8080.2 .095 x 032V |
| | | | | | | | 4000 | 6400 | 180 | 38 | 142 | SZ8080.2 .095 x 038V |
| | | | | | | | 4000 | 6400 | 205 | 50 | 155 | SZ8080.2 .095 x 050V |
| | | | | | | | 4000 | 6400 | 231 | 63 | 168 | SZ8080.2 .095 x 063V |
| | | | | | | | 4000 | 6400 | 270 | 80 | 190 | SZ8080.2 .095 x 080V |
| | | | | | | | 4000 | 6400 | 310 | 100 | 210 | SZ8080.2 .095 x 100V |
| 4000 | 6400 | 370 | 125 | 245 | SZ8080.2 .095 x 125V | | | | | | | |



SZ8080.2.VB Connecting nitrogen cylinder



with burst protection



Base

Composite base; with burst protection

Burst protection

integrated

Filling



carried out via composite system

Delivery

will be supplied unfilled



Installation instruction

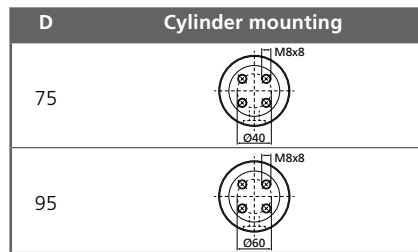
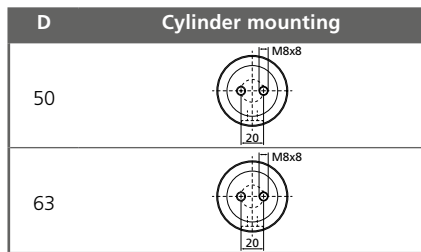
Spring is equipped to be connected on its side with G1/8 male stud couplings; filling is carried out via the connected control panel; SDH = the height of the lateral connection is 11 mm

| D | d | Connecting thread | Position connecting thread | Filling pressure max. bar | M | H |  daN |  daN | N | Stroke | L | Item number |
|------|------|-------------------|----------------------------|---------------------------|-----------------------|---|---|---|-----|--------|-----|-----------------------|
| 50 | 30 | G1/8 | on the side | 141 | | | 1000 | 1420 | 95 | 5 | 90 | SZ8080.2 .050 x 005VB |
| 50 | 30 | G1/8 | on the side | 141 | M8 | 8 | 1000 | 1540 | 105 | 10 | 95 | SZ8080.2 .050 x 010VB |
| | | | | | | | 1000 | 1600 | 115 | 15 | 100 | SZ8080.2 .050 x 015VB |
| | | | | | | | 1000 | 1600 | 123 | 19 | 104 | SZ8080.2 .050 x 019VB |
| | | | | | | | 1000 | 1600 | 135 | 25 | 110 | SZ8080.2 .050 x 025VB |
| | | | | | | | 1000 | 1600 | 149 | 32 | 117 | SZ8080.2 .050 x 032VB |
| | | | | | | | 1000 | 1600 | 161 | 38 | 123 | SZ8080.2 .050 x 038VB |
| | | | | | | | 1000 | 1600 | 185 | 50 | 135 | SZ8080.2 .050 x 050VB |
| | | | | | | | 1000 | 1600 | 211 | 63 | 148 | SZ8080.2 .050 x 063VB |
| | | | | | | | 1000 | 1600 | 245 | 80 | 165 | SZ8080.2 .050 x 080VB |
| | | | | | | | 1000 | 1600 | 295 | 100 | 195 | SZ8080.2 .050 x 100VB |
| 1000 | 1600 | 345 | 125 | 220 | SZ8080.2 .050 x 125VB | | | | | | | |
| 63 | 38 | G1/8 | on the side | 132 | | | 1500 | 2040 | 95 | 5 | 90 | SZ8080.2 .063 x 005VB |
| 63 | 38 | G1/8 | on the side | 132 | M8 | 8 | 1500 | 2310 | 105 | 10 | 95 | SZ8080.2 .063 x 010VB |
| | | | | | | | 1500 | 2400 | 115 | 15 | 100 | SZ8080.2 .063 x 015VB |
| | | | | | | | 1500 | 2400 | 123 | 19 | 104 | SZ8080.2 .063 x 019VB |
| | | | | | | | 1500 | 2400 | 135 | 25 | 110 | SZ8080.2 .063 x 025VB |
| | | | | | | | 1500 | 2400 | 149 | 32 | 117 | SZ8080.2 .063 x 032VB |
| | | | | | | | 1500 | 2400 | 161 | 38 | 123 | SZ8080.2 .063 x 038VB |
| | | | | | | | 1500 | 2400 | 185 | 50 | 135 | SZ8080.2 .063 x 050VB |
| | | | | | | | 1500 | 2400 | 211 | 63 | 148 | SZ8080.2 .063 x 063VB |
| | | | | | | | 1500 | 2400 | 245 | 80 | 165 | SZ8080.2 .063 x 080VB |
| | | | | | | | 1500 | 2400 | 285 | 100 | 185 | SZ8080.2 .063 x 100VB |
| 1500 | 2400 | 345 | 125 | 220 | SZ8080.2 .063 x 125VB | | | | | | | |
| 75 | 45 | G1/8 | on the side | 157 | | | 2500 | 3375 | 105 | 5 | 100 | SZ8080.2 .075 x 005VB |
| 75 | 45 | G1/8 | on the side | 157 | M8 | 8 | 2500 | 3825 | 115 | 10 | 105 | SZ8080.2 .075 x 010VB |
| | | | | | | | 2500 | 4000 | 125 | 15 | 110 | SZ8080.2 .075 x 015VB |
| | | | | | | | 2500 | 4000 | 133 | 19 | 114 | SZ8080.2 .075 x 019VB |
| | | | | | | | 2500 | 4000 | 145 | 25 | 120 | SZ8080.2 .075 x 025VB |
| | | | | | | | 2500 | 4000 | 159 | 32 | 127 | SZ8080.2 .075 x 032VB |
| | | | | | | | 2500 | 4000 | 171 | 38 | 133 | SZ8080.2 .075 x 038VB |
| | | | | | | | 2500 | 4000 | 195 | 50 | 145 | SZ8080.2 .075 x 050VB |
| | | | | | | | 2500 | 4000 | 221 | 63 | 158 | SZ8080.2 .075 x 063VB |

SZ8080.2.VB Connecting nitrogen cylinder

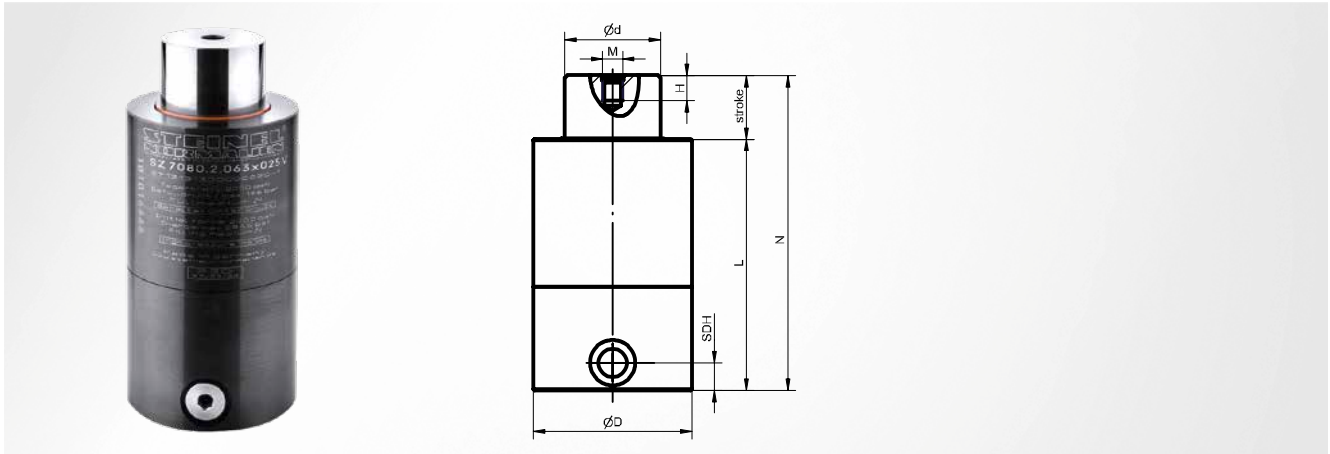
with burst protection

| D | d | Connecting thread | Position connecting thread | Filling pressure max. bar | M | H |  daN |  daN | N | Stroke | L | Item number |
|------|------|-------------------|----------------------------|---------------------------|-----------------------|---|---|---|-----|--------|-----|-----------------------|
| 75 | 45 | G1/8 | on the side | 157 | M8 | 8 | 2500 | 4000 | 255 | 80 | 175 | SZ8080.2 .075 x 080VB |
| | | | | | | | 2500 | 4000 | 300 | 100 | 200 | SZ8080.2 .075 x 100VB |
| | | | | | | | 2500 | 4000 | 350 | 125 | 225 | SZ8080.2 .075 x 125VB |
| 95 | 55 | G1/8 | on the side | 168 | M8 | 8 | 4000 | 5600 | 115 | 5 | 110 | SZ8080.2 .095 x 005VB |
| 95 | 55 | G1/8 | on the side | 168 | | | 4000 | 6240 | 125 | 10 | 115 | SZ8080.2 .095 x 010VB |
| | | | | | | | 4000 | 6400 | 135 | 15 | 120 | SZ8080.2 .095 x 015VB |
| | | | | | | | 4000 | 6400 | 143 | 19 | 124 | SZ8080.2 .095 x 019VB |
| | | | | | | | 4000 | 6400 | 155 | 25 | 130 | SZ8080.2 .095 x 025VB |
| | | | | | | | 4000 | 6400 | 169 | 32 | 137 | SZ8080.2 .095 x 032VB |
| | | | | | | | 4000 | 6400 | 180 | 38 | 142 | SZ8080.2 .095 x 038VB |
| | | | | | | | 4000 | 6400 | 205 | 50 | 155 | SZ8080.2 .095 x 050VB |
| | | | | | | | 4000 | 6400 | 231 | 63 | 168 | SZ8080.2 .095 x 063VB |
| | | | | | | | 4000 | 6400 | 270 | 80 | 190 | SZ8080.2 .095 x 080VB |
| 4000 | 6400 | 310 | 100 | 210 | SZ8080.2 .095 x 100VB | | | | | | | |
| 4000 | 6400 | 370 | 125 | 245 | SZ8080.2 .095 x 125VB | | | | | | | |



SZ7080.2.V Connecting nitrogen cylinder

version extra heavy



Base

Composite base

Burst protection

not integrated

Filling

carried out via composite system

Delivery

will be supplied unfilled



Installation instruction

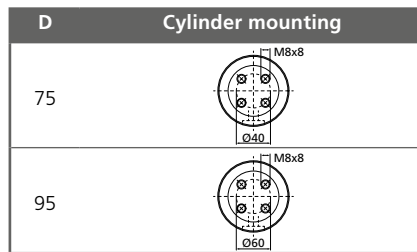
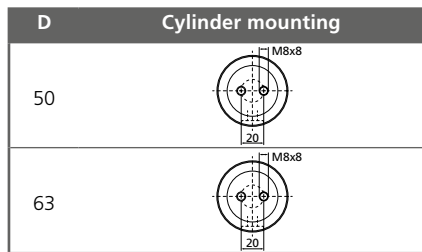
Spring is equipped to be connected on its side with G1/8 male stud couplings; filling is carried out via the connected control panel; SDH = the height of the lateral connection is 11 mm

| D | d | Connecting thread | Position connecting thread | Filling pressure max. bar | M | H | | | N | Stroke | L | Item number |
|----|----|-------------------|----------------------------|---------------------------|----|---|------|------|-----|--------|-----|----------------------|
| | | | | | | | daN | daN | | | | |
| 50 | 30 | G1/8 | on the side | 212 | M8 | 8 | 1500 | 2130 | 95 | 5 | 90 | SZ7080.2 .050 x 005V |
| | | | | | | | 1500 | 2310 | 105 | 10 | 95 | SZ7080.2 .050 x 010V |
| | | | | | | | 1500 | 2400 | 115 | 15 | 100 | SZ7080.2 .050 x 015V |
| | | | | | | | 1500 | 2400 | 123 | 19 | 104 | SZ7080.2 .050 x 019V |
| | | | | | | | 1500 | 2400 | 135 | 25 | 110 | SZ7080.2 .050 x 025V |
| | | | | | | | 1500 | 2400 | 149 | 32 | 117 | SZ7080.2 .050 x 032V |
| | | | | | | | 1500 | 2400 | 161 | 38 | 123 | SZ7080.2 .050 x 038V |
| | | | | | | | 1500 | 2400 | 185 | 50 | 135 | SZ7080.2 .050 x 050V |
| | | | | | | | 1500 | 2400 | 211 | 63 | 148 | SZ7080.2 .050 x 063V |
| | | | | | | | 1500 | 2400 | 245 | 80 | 165 | SZ7080.2 .050 x 080V |
| | | | | | | | 1500 | 2400 | 295 | 100 | 195 | SZ7080.2 .050 x 100V |
| | | | | | | | 1500 | 2400 | 345 | 125 | 220 | SZ7080.2 .050 x 125V |
| 63 | 38 | G1/8 | on the side | 176 | M8 | 8 | 2000 | 2720 | 95 | 5 | 90 | SZ7080.2 .063 x 005V |
| | | | | | | | 2000 | 3080 | 105 | 10 | 95 | SZ7080.2 .063 x 010V |
| | | | | | | | 2000 | 3200 | 115 | 15 | 100 | SZ7080.2 .063 x 015V |
| | | | | | | | 2000 | 3200 | 123 | 19 | 104 | SZ7080.2 .063 x 019V |
| | | | | | | | 2000 | 3200 | 135 | 25 | 110 | SZ7080.2 .063 x 025V |
| | | | | | | | 2000 | 3200 | 149 | 32 | 117 | SZ7080.2 .063 x 032V |
| | | | | | | | 2000 | 3200 | 161 | 38 | 123 | SZ7080.2 .063 x 038V |
| | | | | | | | 2000 | 3200 | 185 | 50 | 135 | SZ7080.2 .063 x 050V |
| | | | | | | | 2000 | 3200 | 211 | 63 | 148 | SZ7080.2 .063 x 063V |
| | | | | | | | 2000 | 3200 | 245 | 80 | 165 | SZ7080.2 .063 x 080V |
| | | | | | | | 2000 | 3200 | 285 | 100 | 185 | SZ7080.2 .063 x 100V |
| | | | | | | | 2000 | 3200 | 345 | 125 | 220 | SZ7080.2 .063 x 125V |
| 75 | 45 | G1/8 | on the side | 189 | M8 | 8 | 3000 | 4050 | 105 | 5 | 100 | SZ7080.2 .075 x 005V |
| | | | | | | | 3000 | 4590 | 115 | 10 | 105 | SZ7080.2 .075 x 010V |
| | | | | | | | 3000 | 4800 | 125 | 15 | 110 | SZ7080.2 .075 x 015V |
| | | | | | | | 3000 | 4800 | 133 | 19 | 114 | SZ7080.2 .075 x 019V |
| | | | | | | | 3000 | 4800 | 145 | 25 | 120 | SZ7080.2 .075 x 025V |
| | | | | | | | 3000 | 4800 | 159 | 32 | 127 | SZ7080.2 .075 x 032V |
| | | | | | | | 3000 | 4800 | 171 | 38 | 133 | SZ7080.2 .075 x 038V |
| | | | | | | | 3000 | 4800 | 195 | 50 | 145 | SZ7080.2 .075 x 050V |
| | | | | | | | 3000 | 4800 | 221 | 63 | 158 | SZ7080.2 .075 x 063V |

SZ7080.2.V Connecting nitrogen cylinder

version extra heavy

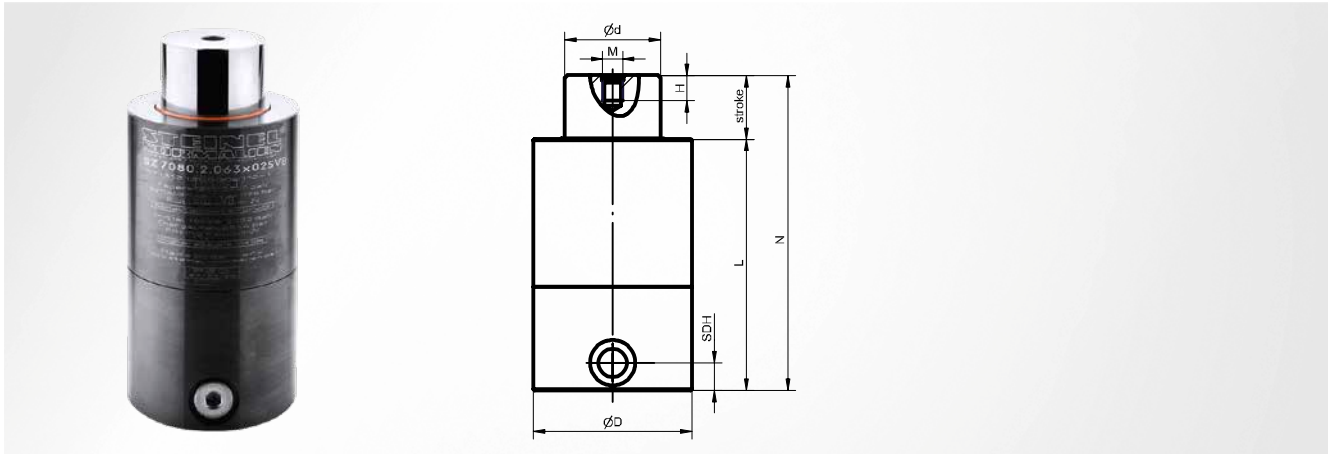
| D | d | Connecting thread | Position connecting thread | Filling pressure max. bar | M | H |  daN |  daN | N | Stroke | L | Item number |
|----|----|-------------------|----------------------------|---------------------------|----|---|---|---|-----|--------|-----|----------------------|
| 75 | 45 | G1/8 | on the side | 189 | M8 | 8 | 3000 | 4800 | 255 | 80 | 175 | SZ7080.2 .075 x 080V |
| | | | | | | | 3000 | 4800 | 300 | 100 | 200 | SZ7080.2 .075 x 100V |
| | | | | | | | 3000 | 4800 | 350 | 125 | 225 | SZ7080.2 .075 x 125V |
| 95 | 55 | G1/8 | on the side | 210 | M8 | 8 | 5000 | 7000 | 115 | 5 | 110 | SZ7080.2 .095 x 005V |
| | | | | | | | 5000 | 7800 | 125 | 10 | 115 | SZ7080.2 .095 x 010V |
| | | | | | | | 5000 | 8000 | 135 | 15 | 120 | SZ7080.2 .095 x 015V |
| | | | | | | | 5000 | 8000 | 143 | 19 | 124 | SZ7080.2 .095 x 019V |
| | | | | | | | 5000 | 8000 | 155 | 25 | 130 | SZ7080.2 .095 x 025V |
| | | | | | | | 5000 | 8000 | 169 | 32 | 137 | SZ7080.2 .095 x 032V |
| | | | | | | | 5000 | 8000 | 180 | 38 | 142 | SZ7080.2 .095 x 038V |
| | | | | | | | 5000 | 8000 | 205 | 50 | 155 | SZ7080.2 .095 x 050V |
| | | | | | | | 5000 | 8000 | 231 | 63 | 168 | SZ7080.2 .095 x 063V |
| | | | | | | | 5000 | 8000 | 270 | 80 | 190 | SZ7080.2 .095 x 080V |
| | | | | | | | 5000 | 8000 | 310 | 100 | 210 | SZ7080.2 .095 x 100V |
| | | | | | | | 5000 | 8000 | 370 | 125 | 245 | SZ7080.2 .095 x 125V |



SZ7080.2.VB Connecting nitrogen cylinder



version extra heavy, with burst protection



Base

Composite base; with burst protection

Delivery

will be supplied unfilled

Burst protection

integrated

Installation instruction

Spring is equipped to be connected on its side with G1/8 male stud couplings; filling is carried out via the connected control panel; SDH = the height of the lateral connection is 11 mm

Filling



carried out via composite system

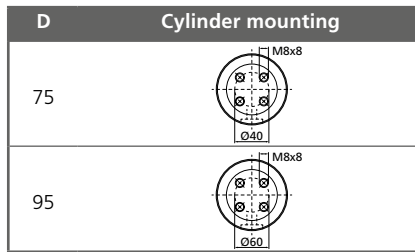
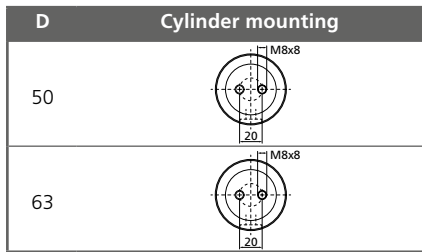
| D | d | Connecting thread | Position connecting thread | Filling pressure max. bar | M | H | daN | | N | Stroke | L | Item number |
|----|----|-------------------|----------------------------|---------------------------|----|---|------|------|-----|--------|-----|-----------------------|
| | | | | | | | | | | | | |
| 50 | 30 | G1/8 | on the side | 212 | M8 | 8 | 1500 | 2130 | 95 | 5 | 90 | SZ7080.2 .050 x 005VB |
| | | | | | | | 1500 | 2310 | 105 | 10 | 95 | SZ7080.2 .050 x 010VB |
| | | | | | | | 1500 | 2400 | 115 | 15 | 100 | SZ7080.2 .050 x 015VB |
| | | | | | | | 1500 | 2400 | 123 | 19 | 104 | SZ7080.2 .050 x 019VB |
| | | | | | | | 1500 | 2400 | 135 | 25 | 110 | SZ7080.2 .050 x 025VB |
| | | | | | | | 1500 | 2400 | 149 | 32 | 117 | SZ7080.2 .050 x 032VB |
| | | | | | | | 1500 | 2400 | 161 | 38 | 123 | SZ7080.2 .050 x 038VB |
| | | | | | | | 1500 | 2400 | 185 | 50 | 135 | SZ7080.2 .050 x 050VB |
| | | | | | | | 1500 | 2400 | 211 | 63 | 148 | SZ7080.2 .050 x 063VB |
| | | | | | | | 1500 | 2400 | 245 | 80 | 165 | SZ7080.2 .050 x 080VB |
| | | | | | | | 1500 | 2400 | 295 | 100 | 195 | SZ7080.2 .050 x 100VB |
| | | | | | | | 1500 | 2400 | 345 | 125 | 220 | SZ7080.2 .050 x 125VB |
| 63 | 38 | G1/8 | on the side | 176 | M8 | 8 | 2000 | 2720 | 95 | 5 | 90 | SZ7080.2 .063 x 005VB |
| | | | | | | | 2000 | 3080 | 105 | 10 | 95 | SZ7080.2 .063 x 010VB |
| | | | | | | | 2000 | 3200 | 115 | 15 | 100 | SZ7080.2 .063 x 015VB |
| | | | | | | | 2000 | 3200 | 123 | 19 | 104 | SZ7080.2 .063 x 019VB |
| | | | | | | | 2000 | 3200 | 135 | 25 | 110 | SZ7080.2 .063 x 025VB |
| | | | | | | | 2000 | 3200 | 149 | 32 | 117 | SZ7080.2 .063 x 032VB |
| | | | | | | | 2000 | 3200 | 161 | 38 | 123 | SZ7080.2 .063 x 038VB |
| | | | | | | | 2000 | 3200 | 185 | 50 | 135 | SZ7080.2 .063 x 050VB |
| | | | | | | | 2000 | 3200 | 211 | 63 | 148 | SZ7080.2 .063 x 063VB |
| | | | | | | | 2000 | 3200 | 245 | 80 | 165 | SZ7080.2 .063 x 080VB |
| | | | | | | | 2000 | 3200 | 285 | 100 | 185 | SZ7080.2 .063 x 100VB |
| | | | | | | | 2000 | 3200 | 345 | 125 | 220 | SZ7080.2 .063 x 125VB |
| 75 | 45 | G1/8 | on the side | 189 | M8 | 8 | 3000 | 4050 | 105 | 5 | 100 | SZ7080.2 .075 x 005VB |
| | | | | | | | 3000 | 4590 | 115 | 10 | 105 | SZ7080.2 .075 x 010VB |
| | | | | | | | 3000 | 4800 | 125 | 15 | 110 | SZ7080.2 .075 x 015VB |
| | | | | | | | 3000 | 4800 | 133 | 19 | 114 | SZ7080.2 .075 x 019VB |
| | | | | | | | 3000 | 4800 | 145 | 25 | 120 | SZ7080.2 .075 x 025VB |
| | | | | | | | 3000 | 4800 | 159 | 32 | 127 | SZ7080.2 .075 x 032VB |
| | | | | | | | 3000 | 4800 | 171 | 38 | 133 | SZ7080.2 .075 x 038VB |
| | | | | | | | 3000 | 4800 | 195 | 50 | 145 | SZ7080.2 .075 x 050VB |
| | | | | | | | 3000 | 4800 | 221 | 63 | 158 | SZ7080.2 .075 x 063VB |

SZ7080.2.VB Connecting nitrogen cylinder



version extra heavy, with burst protection

| D | d | Connecting thread | Position connecting thread | Filling pressure max. bar | M | H |  |  | N | Stroke | L | Item number |
|------|------|-------------------|----------------------------|---------------------------|-----------------------|---|---|---|-----|--------|-----|-----------------------|
| | | | | | | | daN | daN | | | | |
| 75 | 45 | G1/8 | on the side | 189 | M8 | 8 | 3000 | 4800 | 255 | 80 | 175 | SZ7080.2 .075 x 080VB |
| | | | | | | | 3000 | 4800 | 300 | 100 | 200 | SZ7080.2 .075 x 100VB |
| | | | | | | | 3000 | 4800 | 350 | 125 | 225 | SZ7080.2 .075 x 125VB |
| 95 | 55 | G1/8 | on the side | 210 | M8 | 8 | 5000 | 7000 | 115 | 5 | 110 | SZ7080.2 .095 x 005VB |
| | | | | | | | 5000 | 7800 | 125 | 10 | 115 | SZ7080.2 .095 x 010VB |
| | | | | | | | 5000 | 8000 | 135 | 15 | 120 | SZ7080.2 .095 x 015VB |
| | | | | | | | 5000 | 8000 | 143 | 19 | 124 | SZ7080.2 .095 x 019VB |
| | | | | | | | 5000 | 8000 | 155 | 25 | 130 | SZ7080.2 .095 x 025VB |
| | | | | | | | 5000 | 8000 | 169 | 32 | 137 | SZ7080.2 .095 x 032VB |
| | | | | | | | 5000 | 8000 | 180 | 38 | 142 | SZ7080.2 .095 x 038VB |
| | | | | | | | 5000 | 8000 | 205 | 50 | 155 | SZ7080.2 .095 x 050VB |
| | | | | | | | 5000 | 8000 | 231 | 63 | 168 | SZ7080.2 .095 x 063VB |
| | | | | | | | 5000 | 8000 | 270 | 80 | 190 | SZ7080.2 .095 x 080VB |
| | | | | | | | 5000 | 8000 | 310 | 100 | 210 | SZ7080.2 .095 x 100VB |
| 5000 | 8000 | 370 | 125 | 245 | SZ7080.2 .095 x 125VB | | | | | | | |





Note

A nitrogen bottle and a cylinder pressure regulator (only for SZ8085.8) are required on the customer side;
 *= complete set discharging screws / charging adapters

| Filling Unit | Pressure reducer | Discharging screw | Charging adapter | Charging tubing | Valve key | Transition adapter | Item number |
|--------------|------------------|-------------------|------------------|-----------------|---------------|--------------------|-----------------|
| SZ80855-1 | | SZ7046* | SZ7045* | SZ8085.4 | | | SZ8085 8 |
| SZ80855-1 | SZ8085.6 | SZ7046* | SZ7045* | SZ8085.4 | K100-000-0300 | SZ7045.9 | SZ8085 9 |

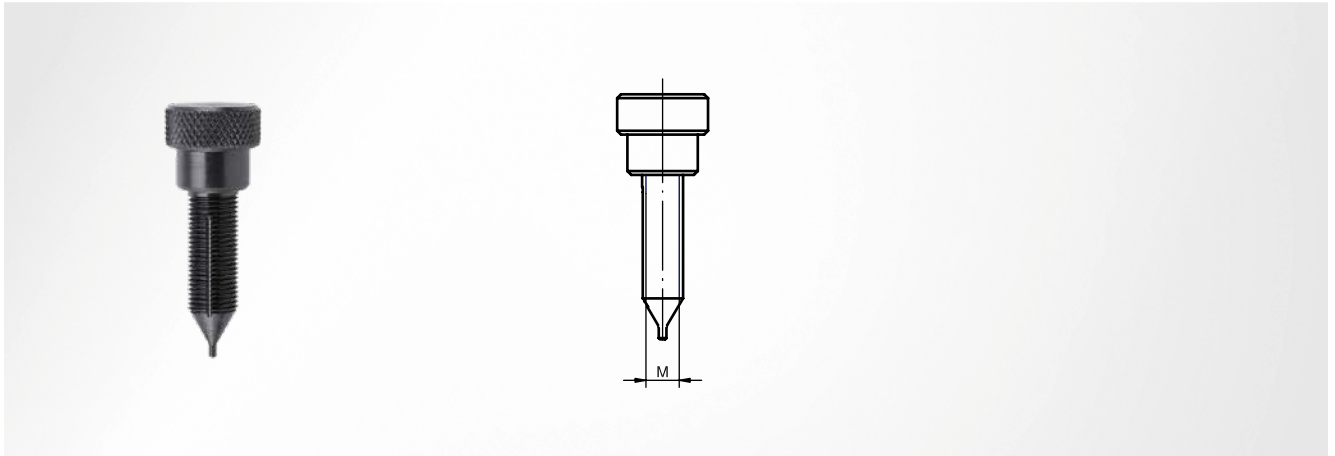
SZ80855-1 Filling Unit



Item number

SZ80855-1

| without charging adapter suitable for | without charging adapter suitable for |
|---------------------------------------|---------------------------------------|
| SZ7080.2.019-038 | SZ8065.2.019-038 |
| SZ8080.2.019-038 | SZ8066.2.019-038 |
| SZ7066.2.019-038 | SZ8063.1.019-025 |
| SZ8060.2.025-038 | SZ8063.1.038 |



Note

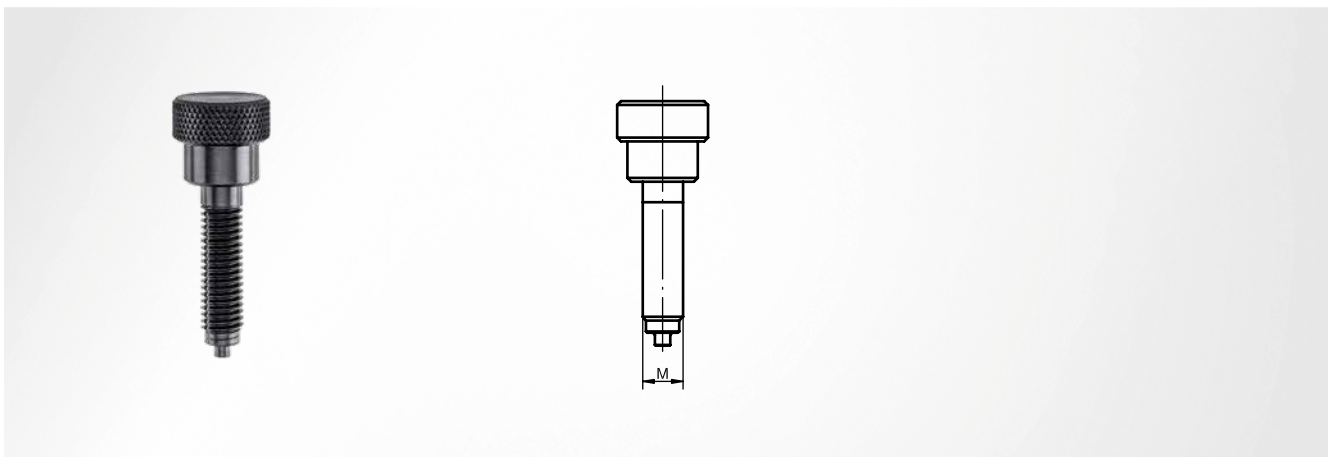
for the venting of the nitrogen cylinder prior to disassembly

| M | Item number |
|-----|-----------------|
| M6 | SZ7046 3 |
| M8 | SZ7046 4 |
| M10 | SZ7046 5 |

| M | Item number |
|------|-----------------|
| M12 | SZ7046 6 |
| G1/8 | SZ7046 7 |

SZ7046 Discharging screw

for VG5 valve



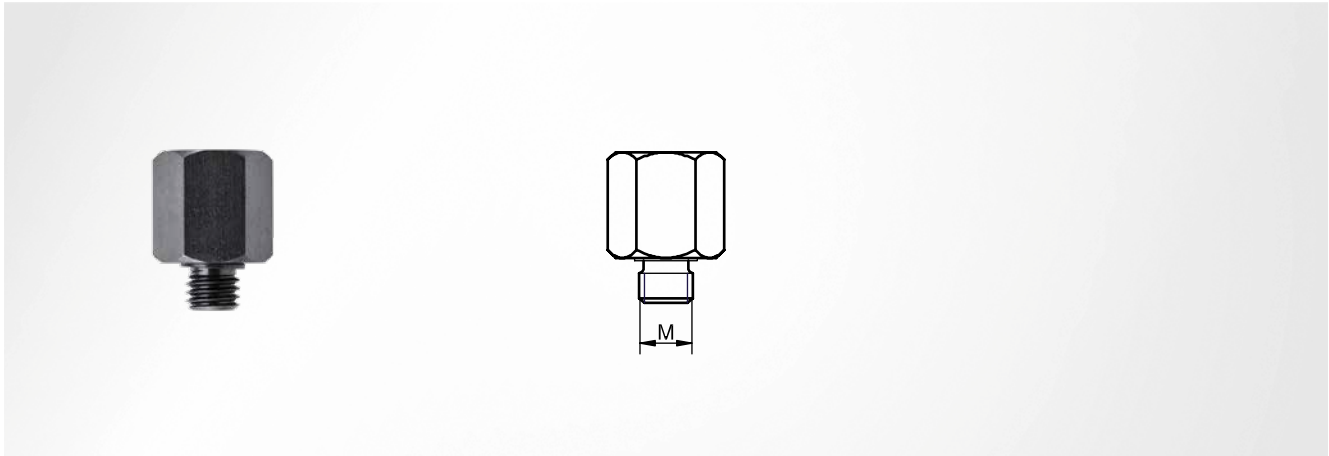
Note

for the venting of the nitrogen cylinder prior to disassembly

| M | Item number |
|-----|------------------|
| M8 | SZ7046 14 |
| M10 | SZ7046 15 |

| M | Item number |
|------|------------------|
| M12 | SZ7046 16 |
| G1/8 | SZ7046 17 |

Tapping units
Module system
Machine elements
Accessories



| M | Use of nitrogen cylinder | Item number |
|-----|------------------------------------|------------------|
| M6 | SZ8063.1.032 | SZ7045 21 |
| M8 | all .2 GDF 019-038 | SZ7045 22 |
| M10 | SZ8063.1.050 all .2 GDF 050-063 | SZ7045 23 |

| M | Use of nitrogen cylinder | Item number |
|------|--|------------------|
| M12 | SZ8063.1.063-095 all .2 GDF 075-120 | SZ7045 24 |
| G1/8 | all .2 GDF V, VB | SZ7045 25 |

**Note**

Connection for pressure reducer SZ8085.6 suitable for filling unit and control panels

Item number

SZ8085.4

SZ8085.6 Pressure reducer

**Note**

Connecting piece for 300 bar nitrogen bottles (assembled) and for 200 bar (included as loose piece)

Item number

SZ8085.6



Item number
K100-000-0300

SZ7045.9 Transition adapter



Note
Transition adapter for previous
connecting nipples (SZ7042.01)

Item number
SZ7045.9

SZ7045.10 Transition adapter



Note
for the transition from the previous
control set tube on the STEINEL
standard parts system

Item number
SZ7045.10

SZ8079 Force measuring device

for nitrogen cylinders



Note

Load cell not included in the scope of delivery

Scope of supply

Basic frame; Hydraulic pump; different adapters

Optional accessories

SZ8078

Item number

SZ8079

SZ8078 Load cell



Note

Load cell SZ8078.16000 do not use for force measuring device

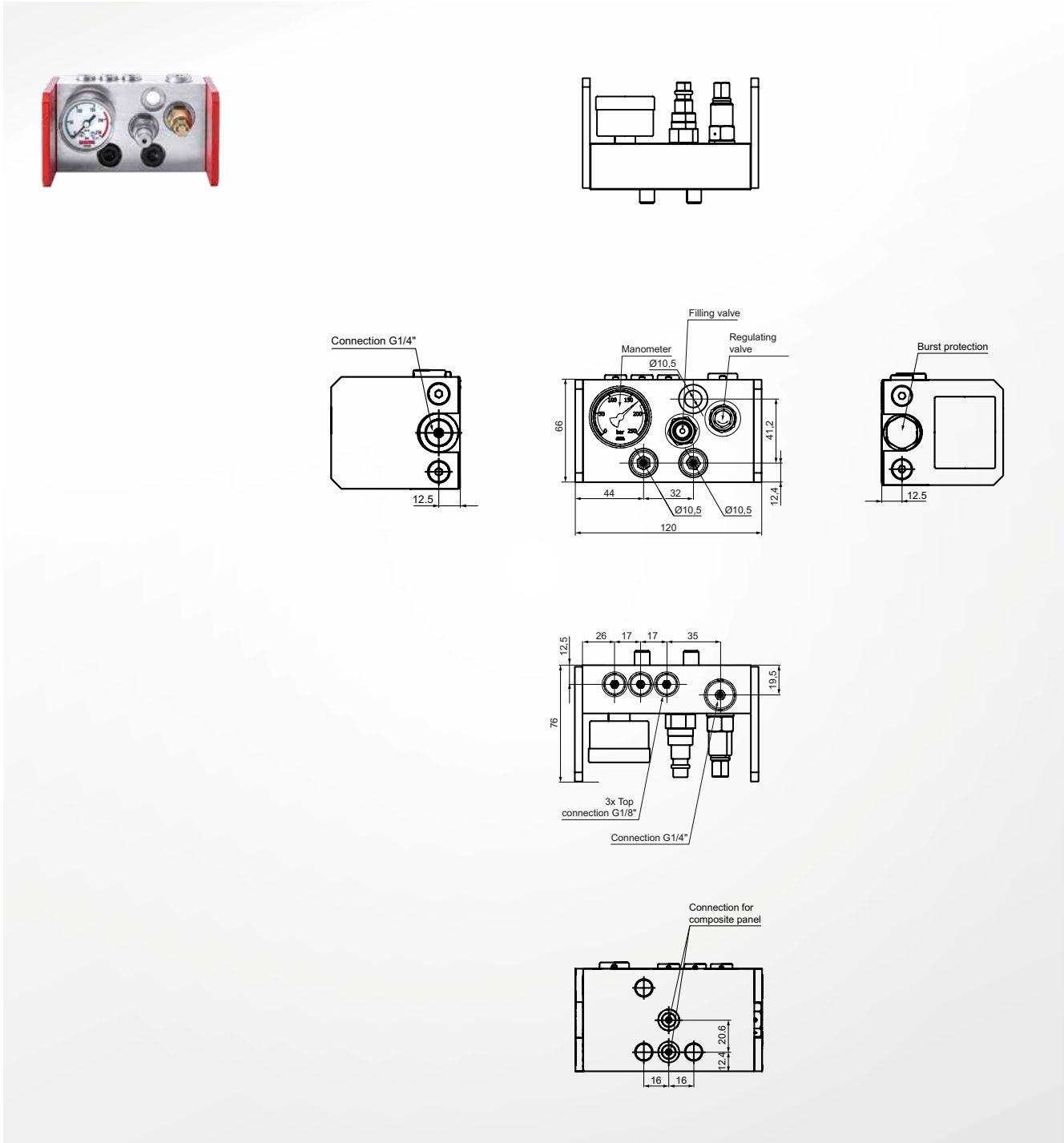
| Measuring range daN | Item number |
|------------------------|---------------------|
| 25-250 | SZ8078 00250 |
| 100-1000 | SZ8078 01000 |

| Measuring range daN | Item number |
|------------------------|---------------------|
| 630-6300 | SZ8078 06300 |
| 1600-16000 | SZ8078 16000 |

ST8845-01-01 Control panel

STEINEL®

for manifold plates, with burst protection, standard



Burst protection

integrated

Burst pressure

180 bar

Mounting screw

2x M10 x 30

Connection

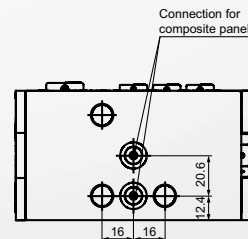
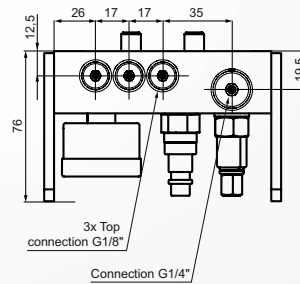
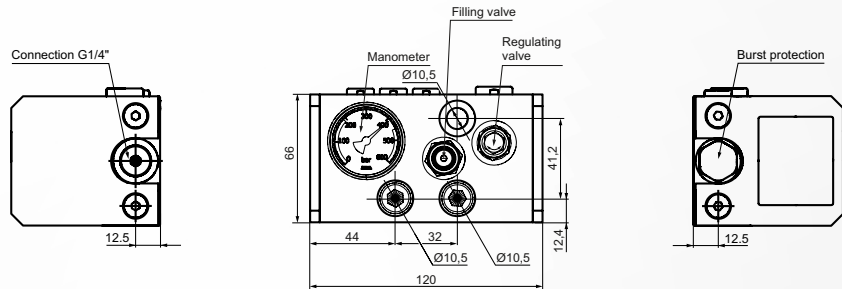
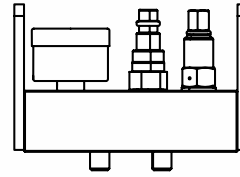
3x G1/8"; 2x G1/4"; 2x prepared connections for manifold plates (closed); connection for pressure controller ST8845-DW250W2

Item number

ST8845-01-01

ST8845-02-01 Control panel

for composite plate, with burst protection, standard



Burst protection

integrated

Burst pressure

450 bar

Mounting screw

2x M10 x 30

Connection

3x G1/8"; 2x G1/4"; 2x prepared connections for composite plates (closed); connection for pressure controller ST8845-DW600W2

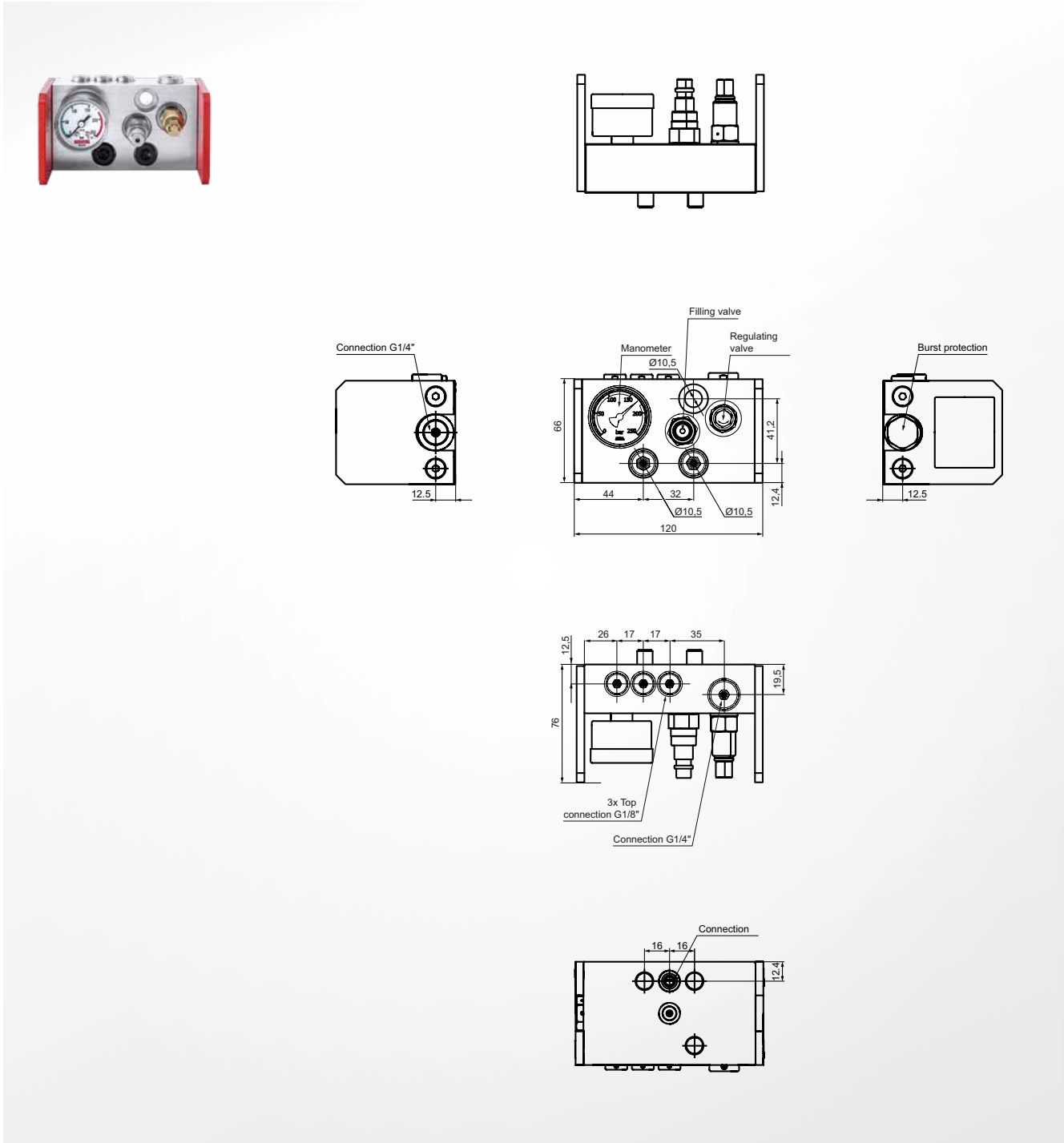
Item number

ST8845-02-01

ST8845-32-01 Control panel

STEINEL®

32 mm, for manifold plates, with burst protection, standard



Burst protection

integrated

Burst pressure

180 bar

Installation instruction

for attachment/fitting to manifold plates = 32 mm

Mounting screw

2x M10 x 30

Connection

3x G1/8"; 2x G1/4"; 2 x prepared connections for manifold plates (1x open at the bottom); connection for pressure controller ST8845-DW250W2

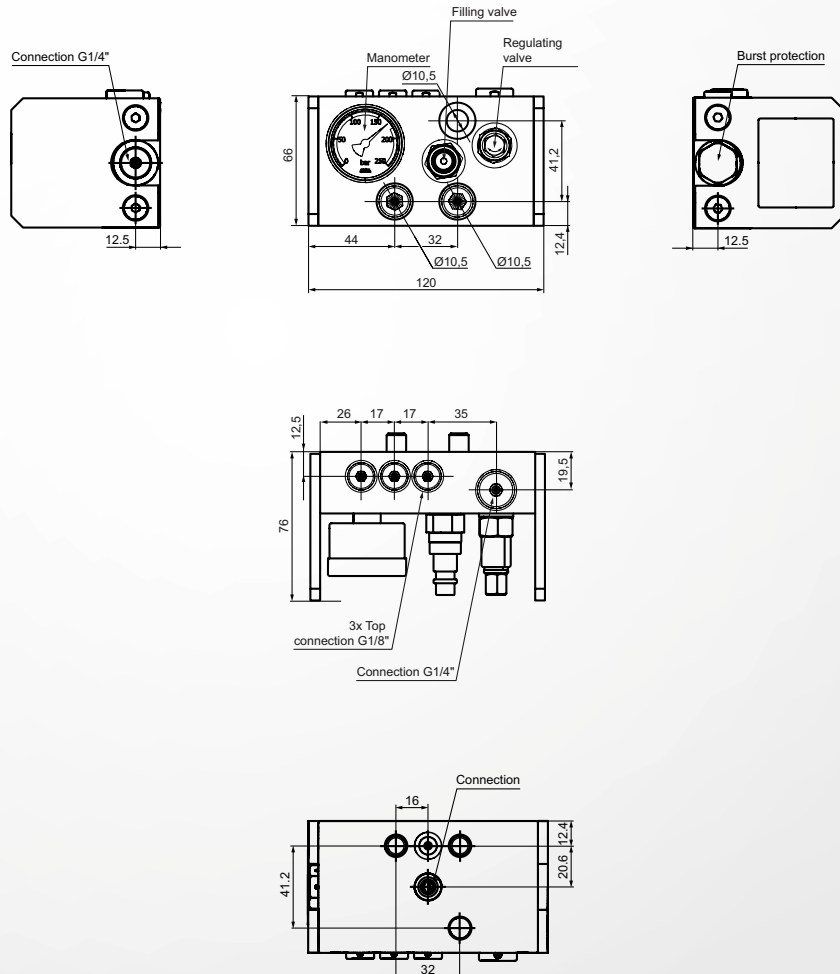
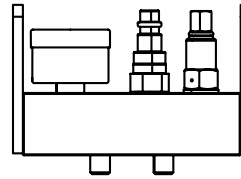
Item number

ST8845-32-01

ST8845-80-01 Control panel

STEINEL®

80 mm, for manifold plates, with burst protection, standard



Burst protection

integrated

Burst pressure

180 bar

Installation instruction

for attachment/fitting to manifold plates = 80 mm

Mounting screw

2x M10 x 30

Connection

3x G1/8"; 2x G1/4"; 2 x prepared connections for manifold plates (1x open at the top); connection for pressure controller ST8845-DW250W2

Item number

ST8845-80-01

Tapping
units

Module
system

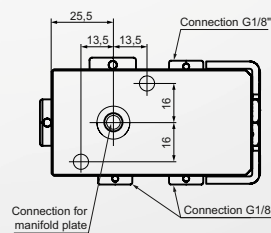
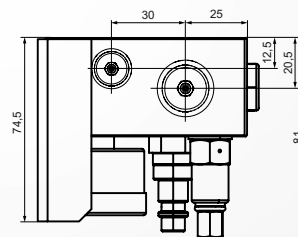
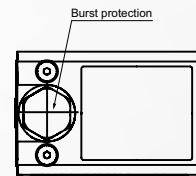
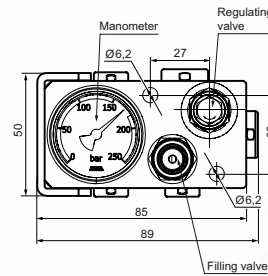
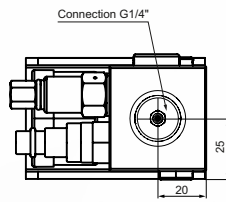
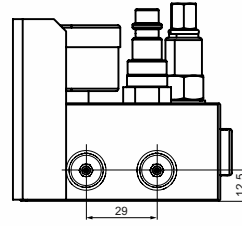
Machine
elements

Accessories

ST8845-8 Control panel

STEINEL®

for manifold plates, mini, with burst protection



Burst protection

integrated

Burst pressure

180 bar

Installation instruction

for attachment/fitting to manifold plates = 80 mm

Mounting screw

2x M6 x 50

Connection

3x G1/8"; 2x G1/4"; 1x prepared connection for manifold plates; connection for pressure controller ST8845-DW250W2

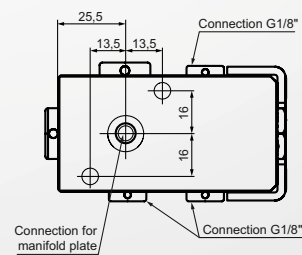
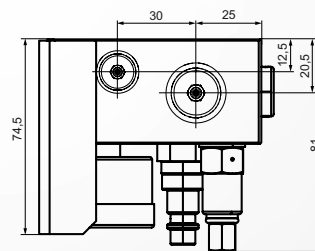
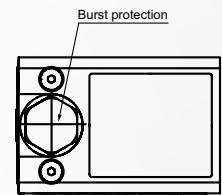
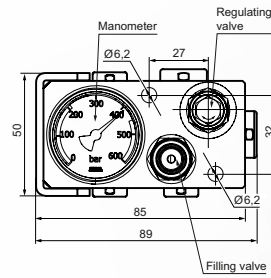
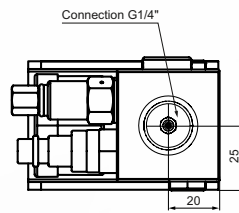
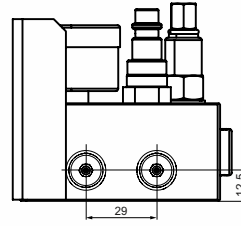
Item number

ST8845-8

ST8845-9 Control panel

STEINEL®

for composite plate, mini, with burst protection



Burst protection

integrated

Burst pressure

450 bar

Mounting screw

2x M6 x 50

Connection

3x G1/8"; 2x G1/4"; 1x prepared connection for composite plates (closed); connection for pressure controller ST8845-DW600W2

Item number

ST8845-9

Tapping
units

Module
system

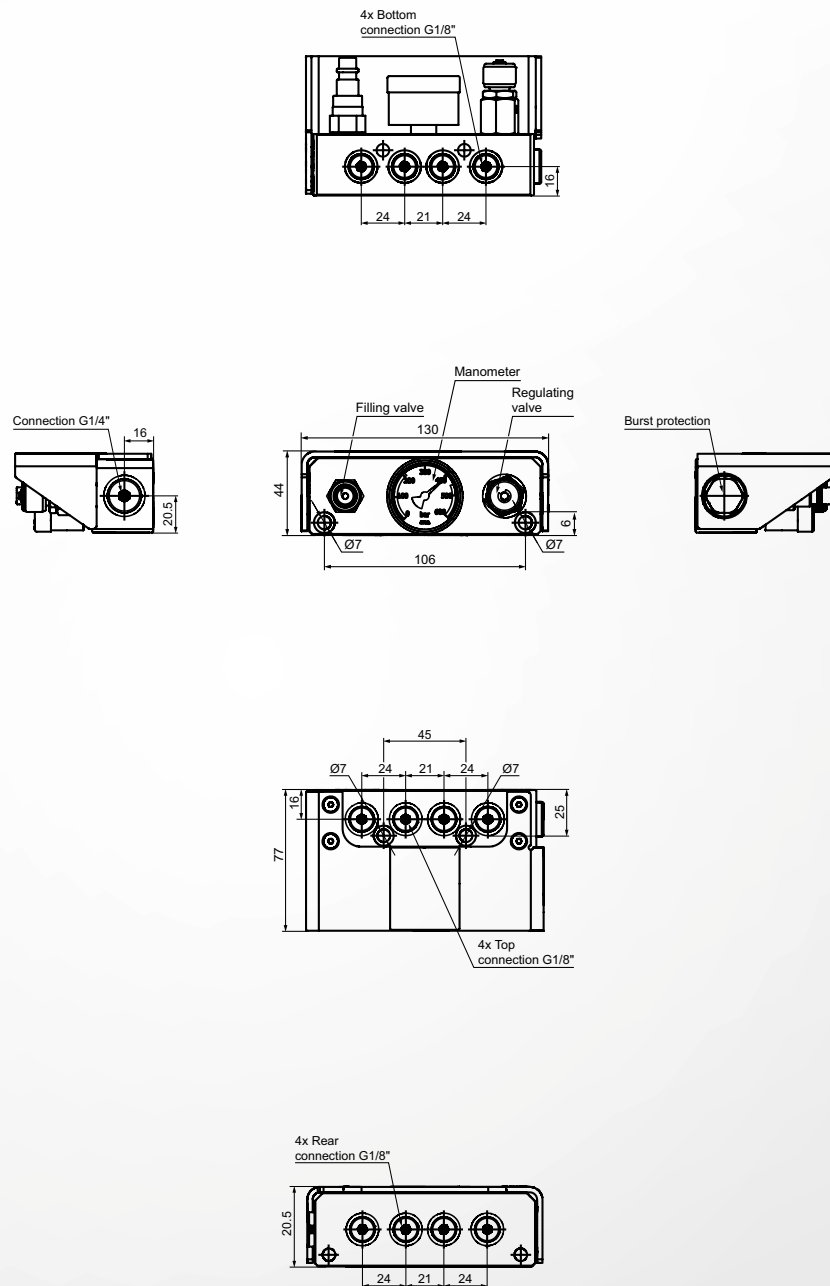
Machine
elements

Accessories

ST8845-444 Control panel

maxi, with burst protection

STEINEL®



Burst protection

integrated

Burst pressure

450 bar

Mounting screw

2x M6 x 45

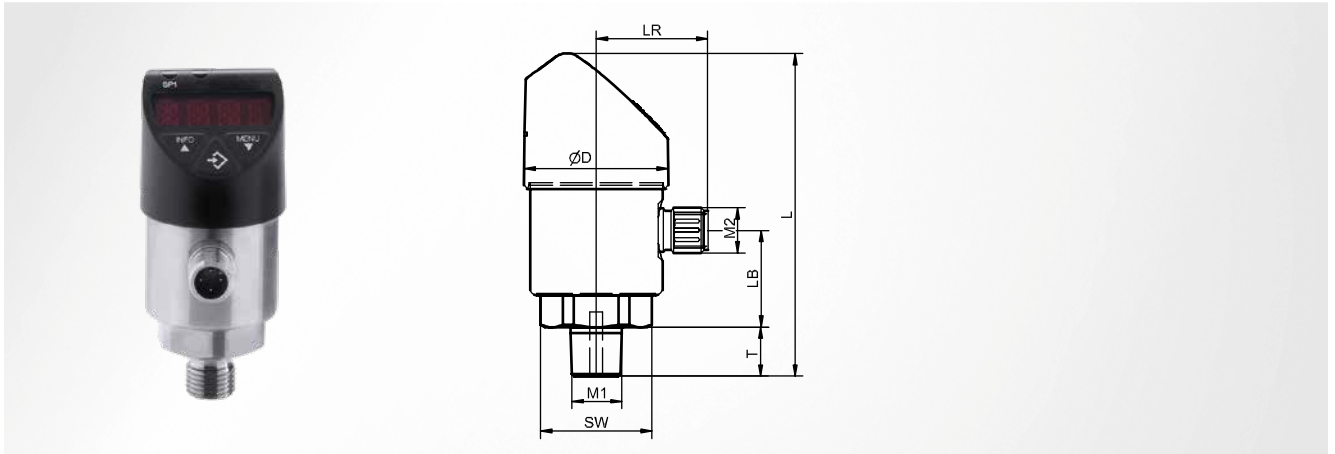
Connection

12x G1/8"; 1x G1/4"

Item number

ST8845-444

pressure controller



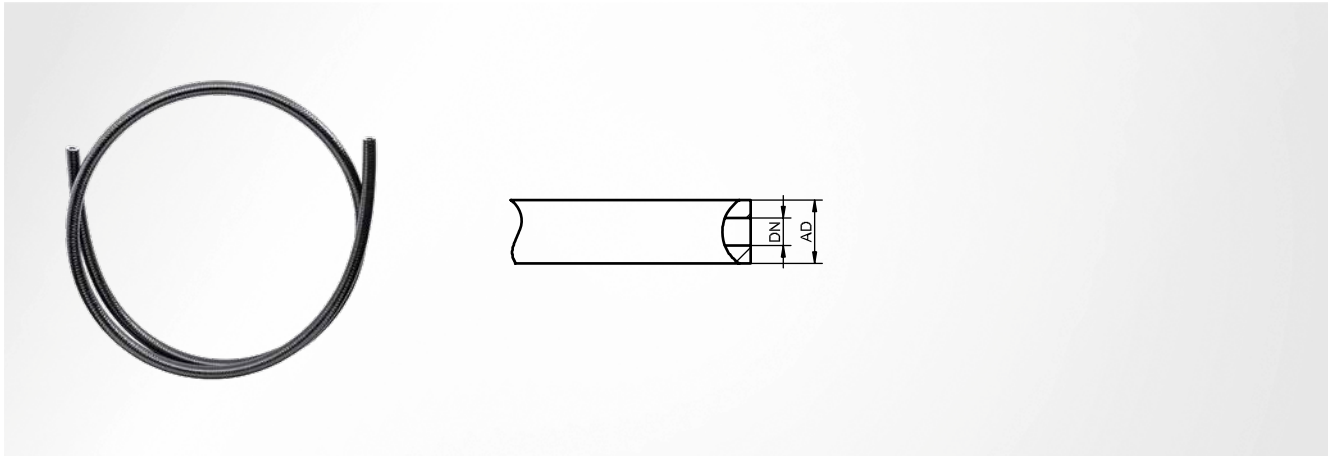
Note

with a switch outlet 0...10 V; switching to p or n potential;
 IO-Link: without; power supply: DC 15...35 V;
 permissible temperature for medium: -20 ... +85 °C;
 electrical connection: circular connector M12 x 1 (4-pin);
 electrical output assignment: U+=1, U-=3, S+=2, SP1=4;
 accuracy: $\pm 0.5\%$ of span

| D | adjustment range | T | LB | LR | SW | M ₁ | M ₂ | L | Item number |
|------|------------------|----|------|------|----|----------------|----------------|----|------------------|
| ~ 38 | 0...250 | 14 | 26.0 | 29.5 | 27 | G1/4 | M12 x 1 | 86 | ST8845 - DW250W2 |
| ~ 38 | 0...600 | 14 | 26.0 | 29.5 | 27 | G1/4 | M12 x 1 | 86 | ST8845 - DW600W2 |

SZ701008 Tube

for self assembly



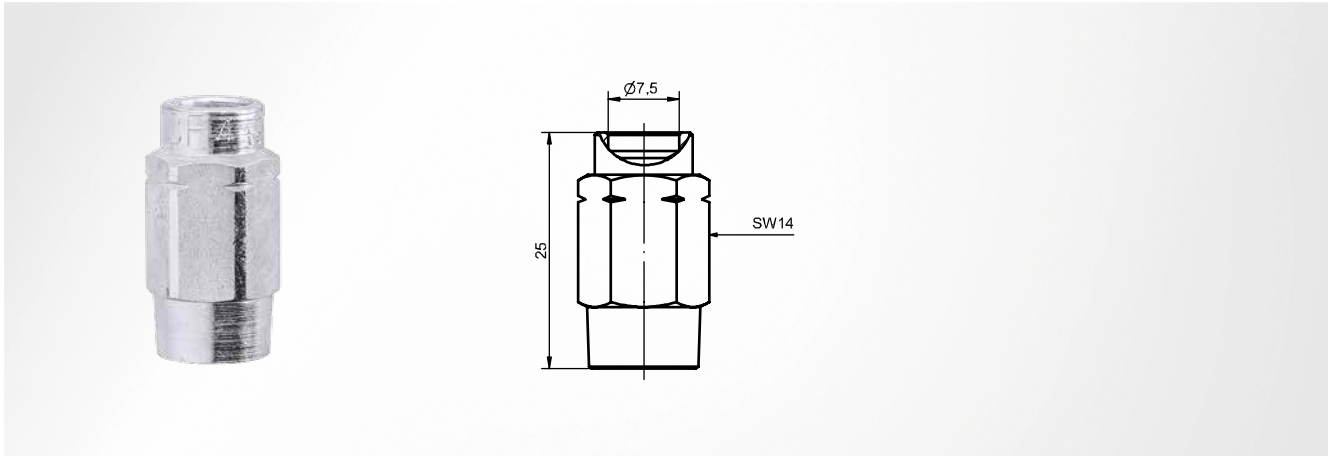
Note

The fitting, consisting of the F-Dorn and screw sleeve, is required for assembly; tubing items may only be used for STEINEL nitrogen systems; assembly may only be carried out by trained personnel

| Outer diameter | Working pressure | Operating temperature ° | Tube length m | Tube size | min. curve radius | Item number |
|----------------|----------------------|-------------------------|---------------|-----------|-------------------|------------------|
| 9.2 | max. 380 bar at 80°C | -40 to +80 | 2.5 | DN4 | 40 | SZ7010 08 |

SZ701108 Screw sleeve

DN4



Note

Tubing items may only be used for STEINEL nitrogen systems; assembly may only be carried out by trained personnel

Suitable tube

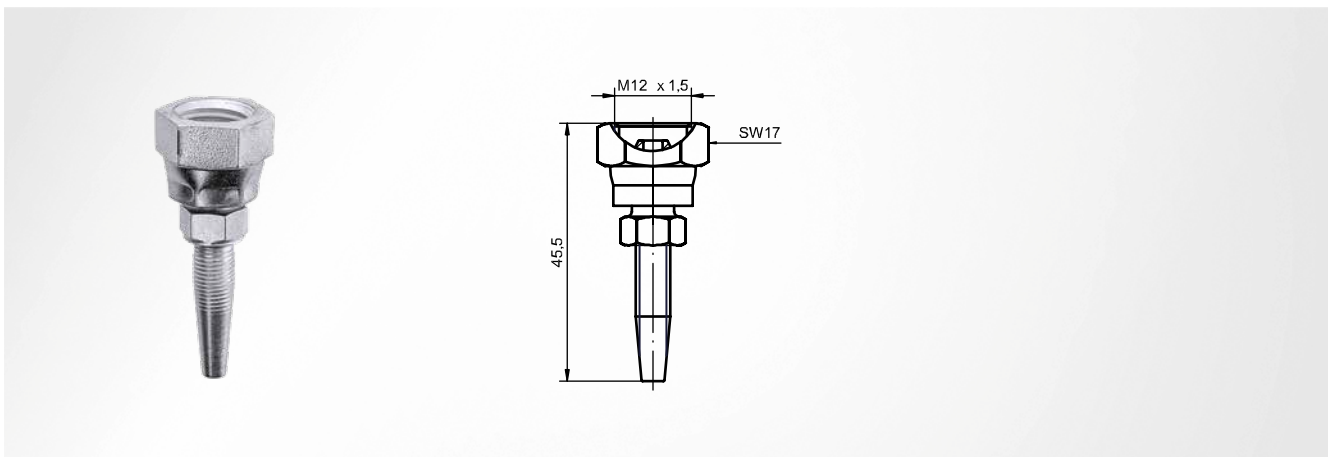
SZ701008

Item number

SZ701108

SZ701208 F-Dorn

DN4



Note

Tubing items may only be used for STEINEL nitrogen systems; assembly may only be carried out by trained personnel

Suitable tube

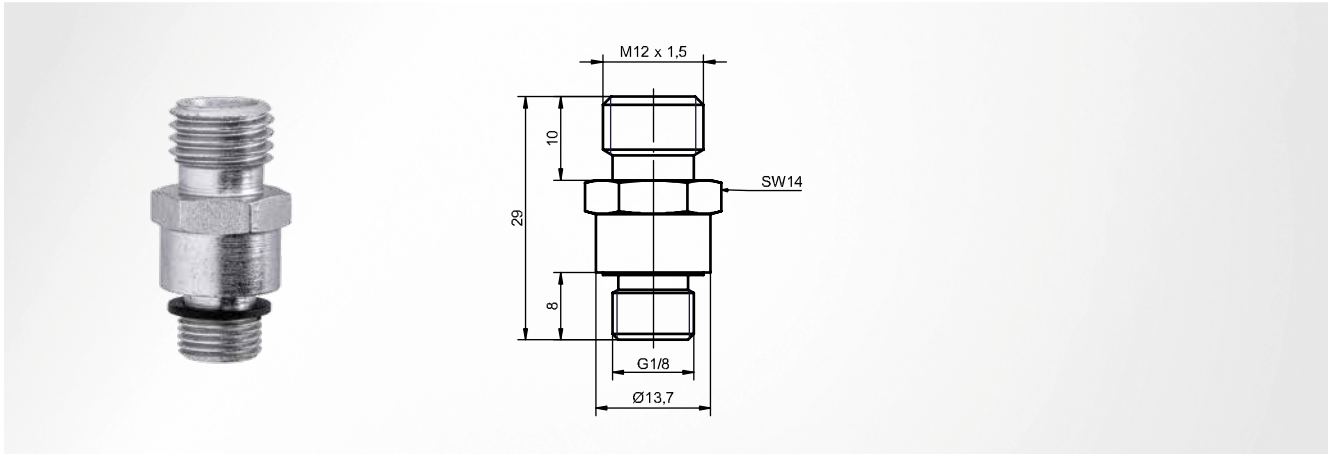
SZ701008

Item number

SZ701208

SZ702006 Screw connection

straight, long



Note

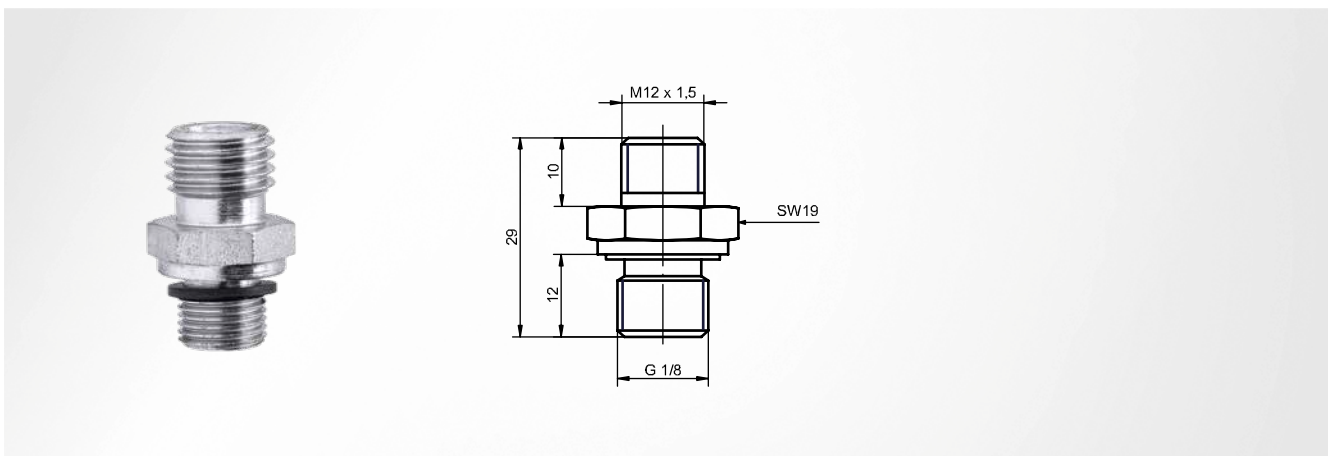
Tubing items may only be used for STEINEL nitrogen systems; assembly may only be carried out by trained personnel

Item number

SZ702006

SZ701306 Screw connection

short



Note

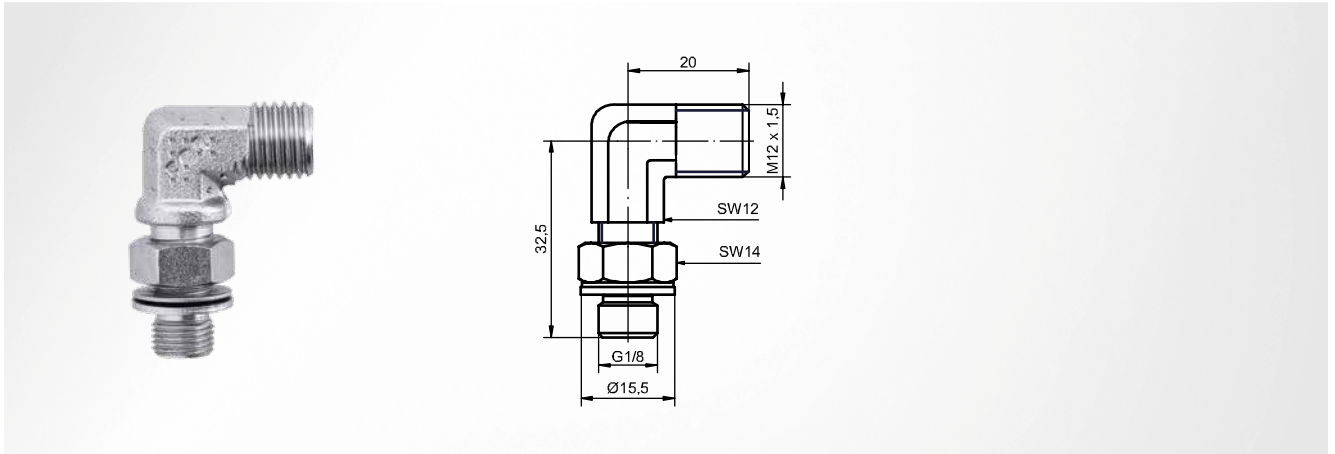
Tubing items may only be used for STEINEL nitrogen systems; assembly may only be carried out by trained personnel

Item number

SZ701306

SZ701406 Ellbow screw connection

90°, adjustable



Note

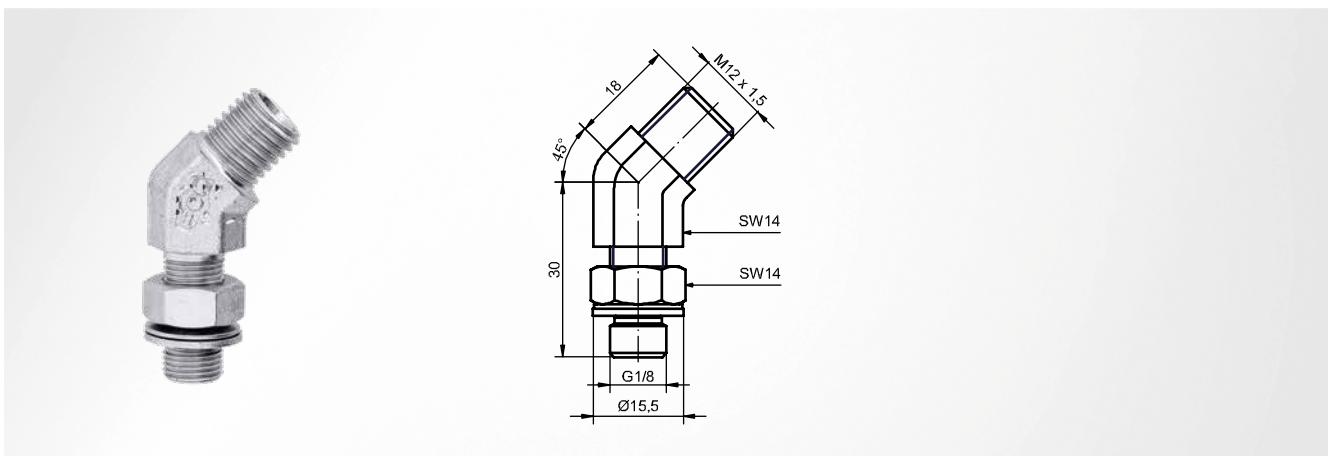
Tubing items may only be used for STEINEL nitrogen systems; assembly may only be carried out by trained personnel

Item number

SZ701406

SZ701606 Ellbow screw connection

45°, adjustable



Note

Tubing items may only be used for STEINEL nitrogen systems; assembly may only be carried out by trained personnel

Item number

SZ701606

Tapping units

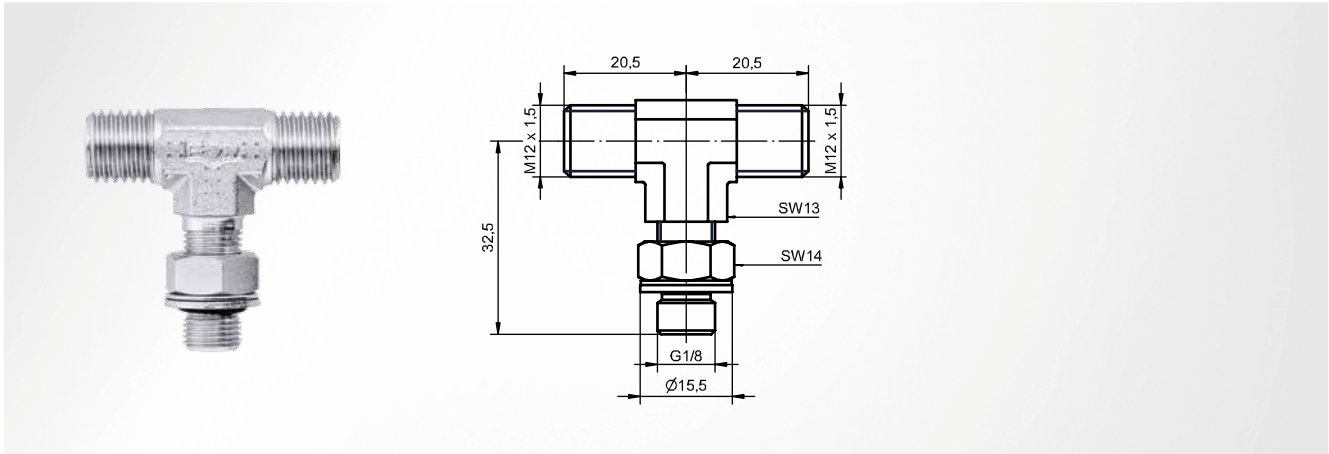
Module system

Machine elements

Accessories

SZ701506 T-screw connection

adjustable



Note

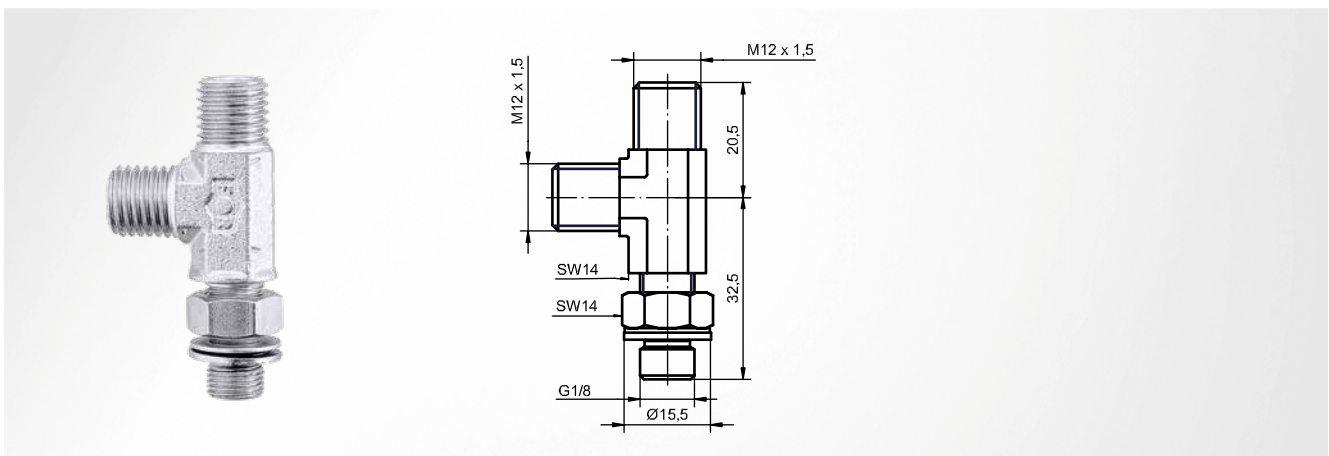
Tubing items may only be used for STEINEL nitrogen systems; assembly may only be carried out by trained personnel

Item number

SZ701506

SZ701706 L-screw connection

adjustable, with lock nut



Note

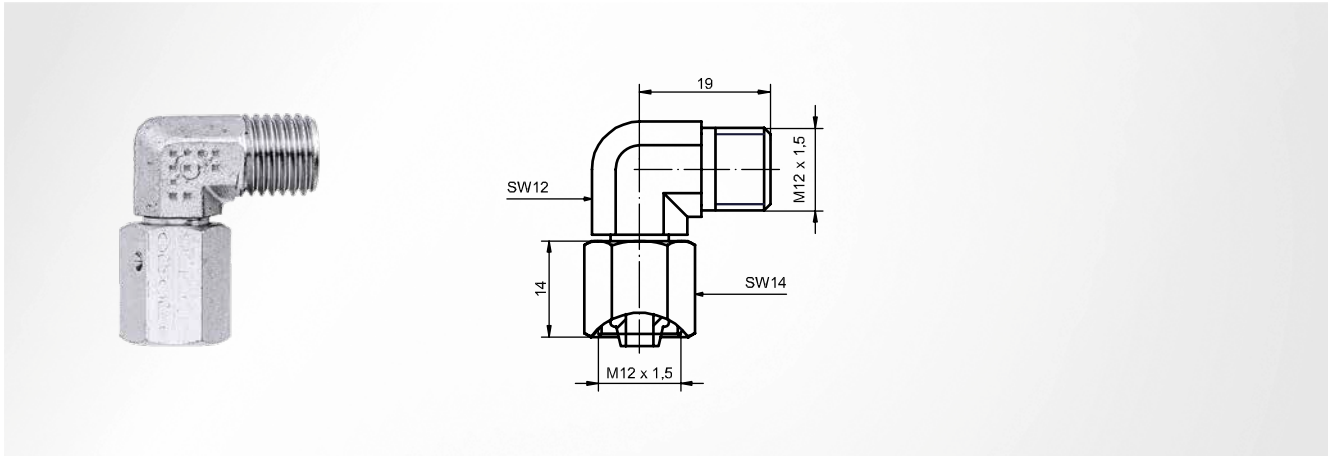
Tubing items may only be used for STEINEL nitrogen systems; assembly may only be carried out by trained personnel

Item number

SZ701706

SZ703406 Ellbow screw connection

90°



Note

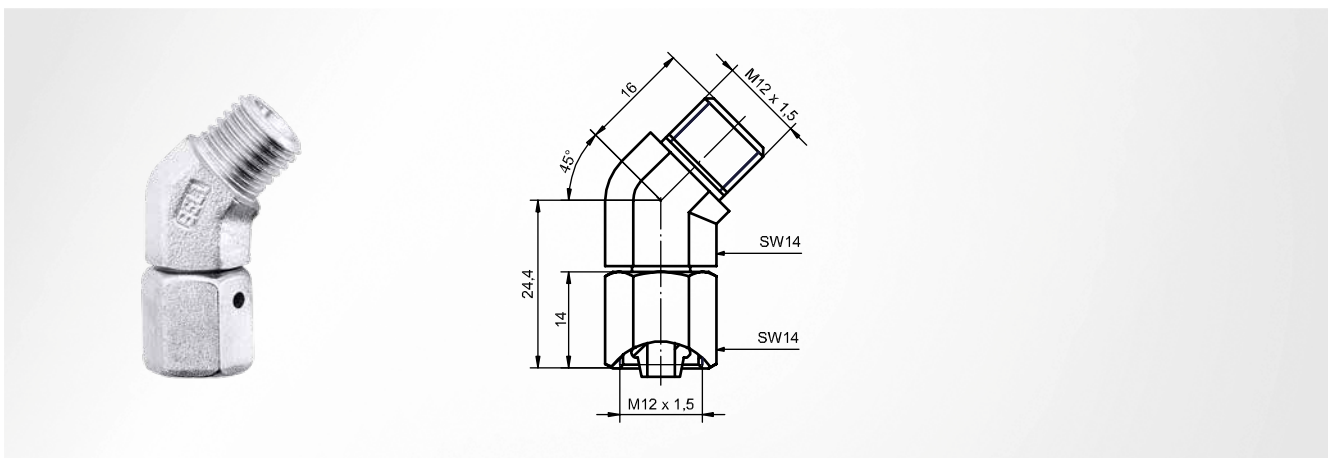
Tubing items may only be used for STEINEL nitrogen systems; assembly may only be carried out by trained personnel

Item number

SZ703406

SZ703606 Ellbow screw connection

45°



Note

Tubing items may only be used for STEINEL nitrogen systems; assembly may only be carried out by trained personnel

Item number

SZ703606

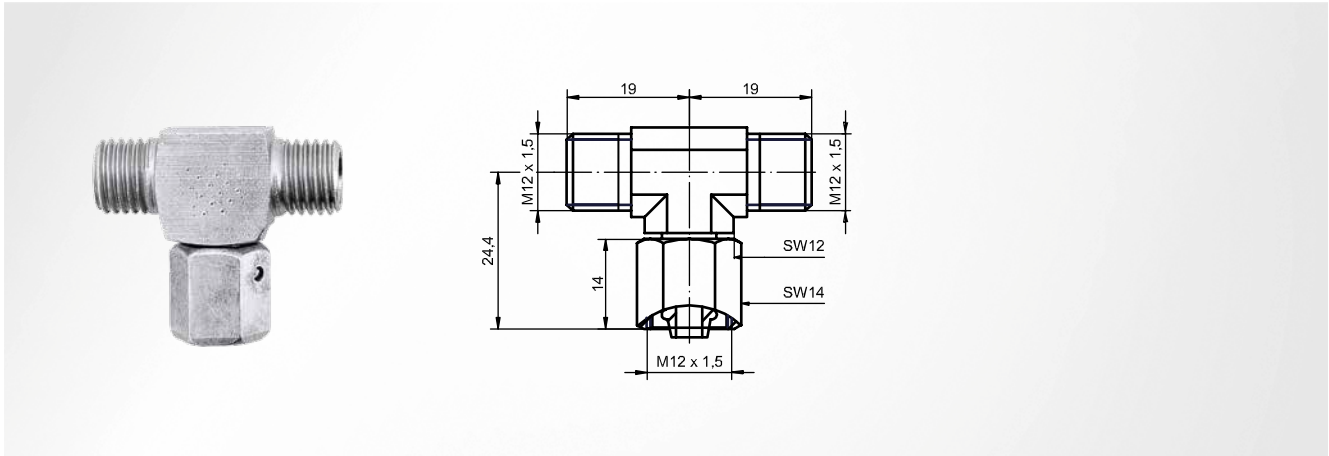
Tapping units

Module system

Machine elements

Accessories

SZ703506 T-screw connection



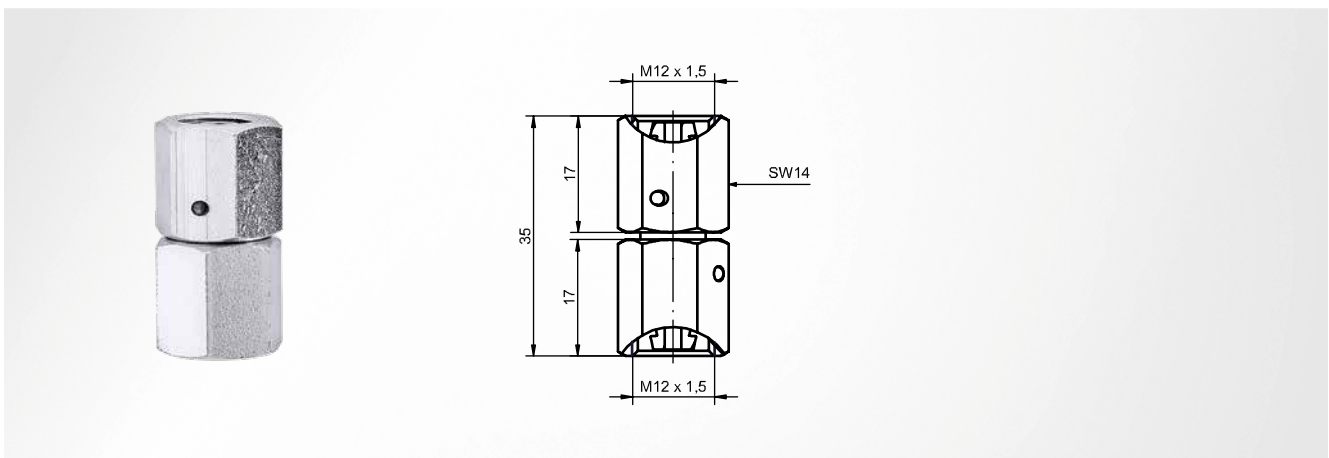
Note

Tubing items may only be used for STEINEL nitrogen systems; assembly may only be carried out by trained personnel

Item number

SZ703506

SZ703306 Intermediate adapter straight



Note

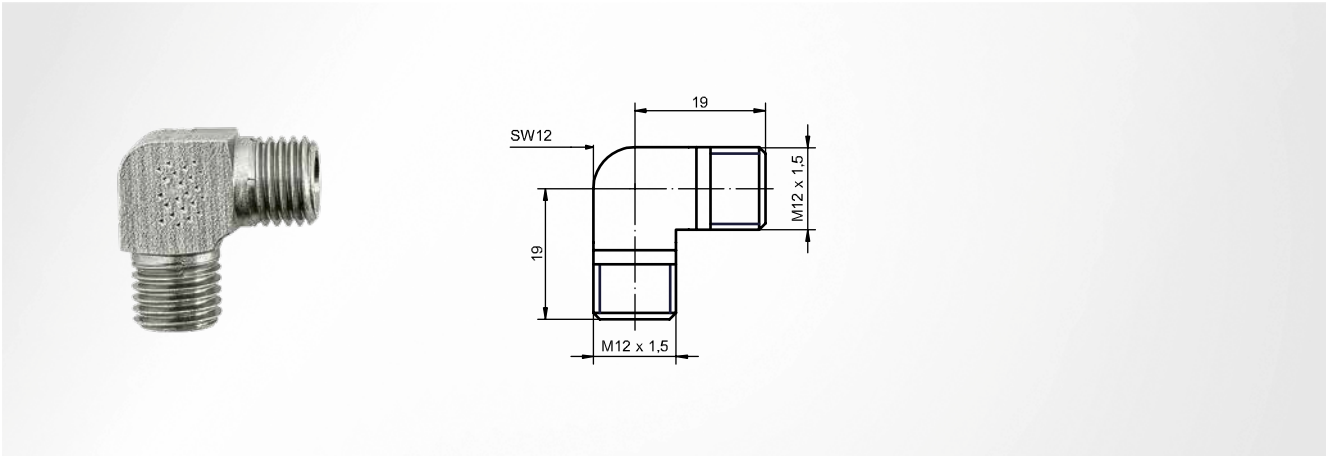
Tubing items may only be used for STEINEL nitrogen systems; assembly may only be carried out by trained personnel

Item number

SZ703306

SZ702106 Elbow screw connection

90°



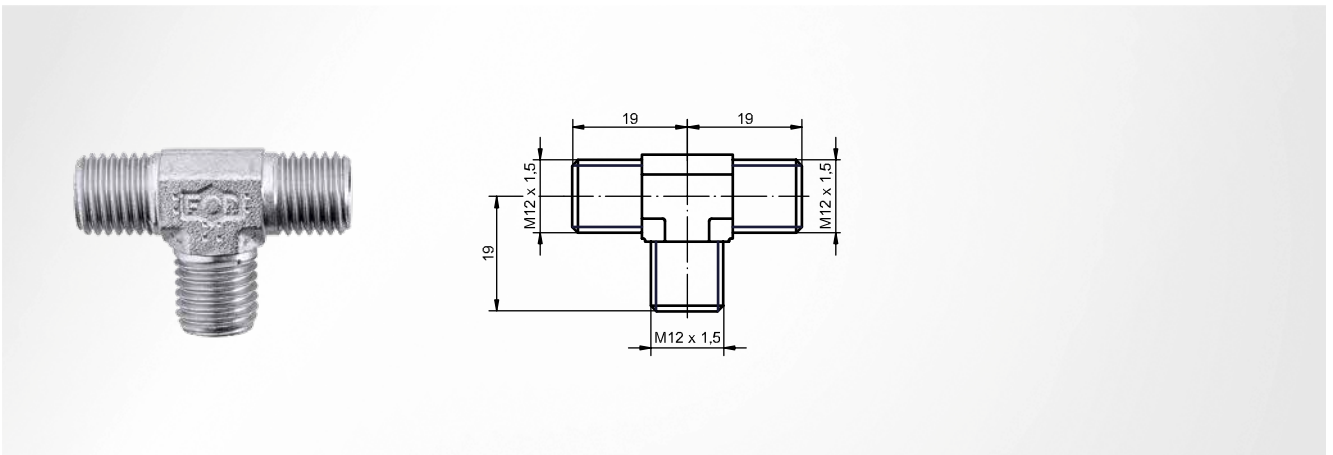
Note

Tubing items may only be used for STEINEL nitrogen systems; assembly may only be carried out by trained personnel

Item number

SZ702106

SZ702206 T-screw connection



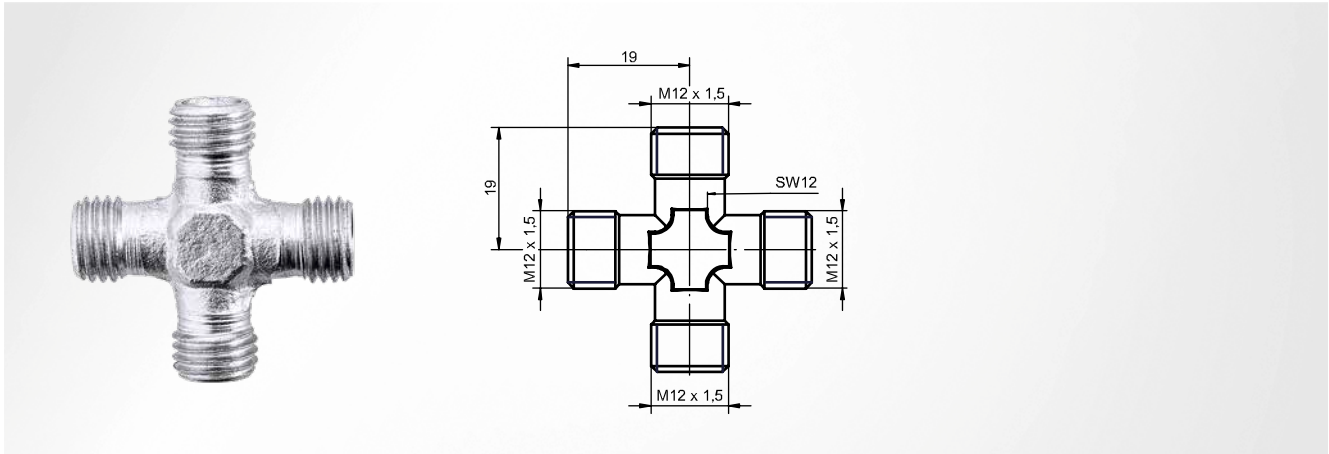
Note

Tubing items may only be used for STEINEL nitrogen systems; assembly may only be carried out by trained personnel

Item number

SZ702206

SZ702306 Four way screw connection



Note

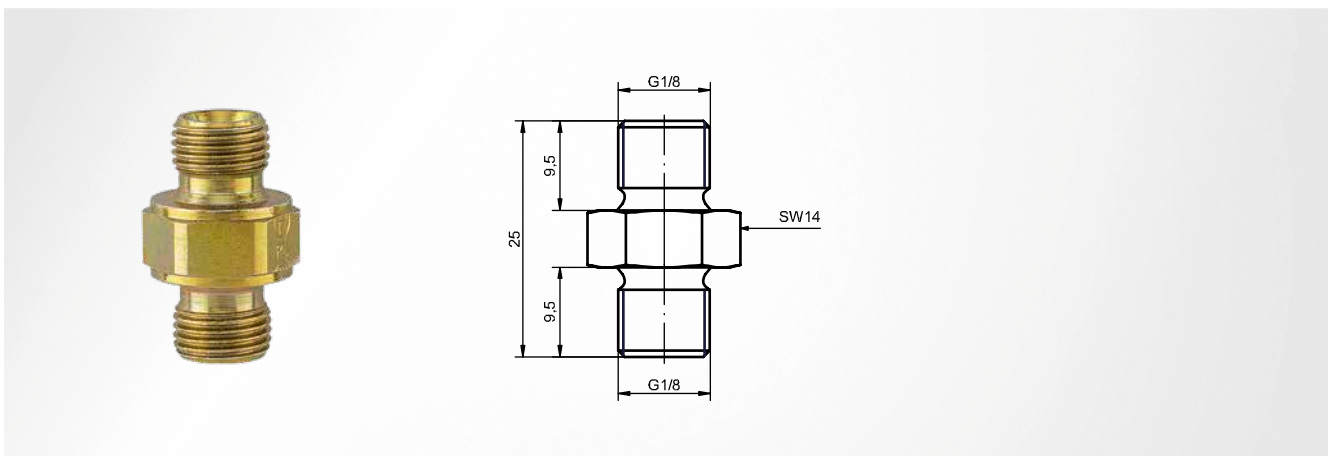
Tubing items may only be used for STEINEL nitrogen systems; assembly may only be carried out by trained personnel

Item number

SZ702306

SZ701906 Adapter

1/8"



Note

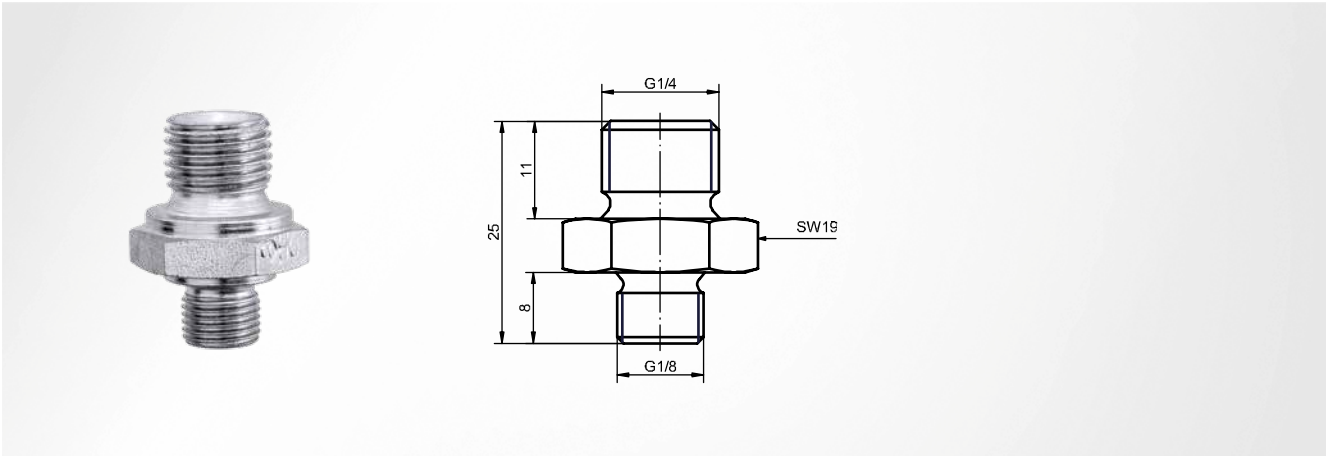
Tubing items may only be used for STEINEL nitrogen systems; assembly may only be carried out by trained personnel

Item number

SZ701906

SZ704530 Screw connection

straight, G1/4-G1/8



Note

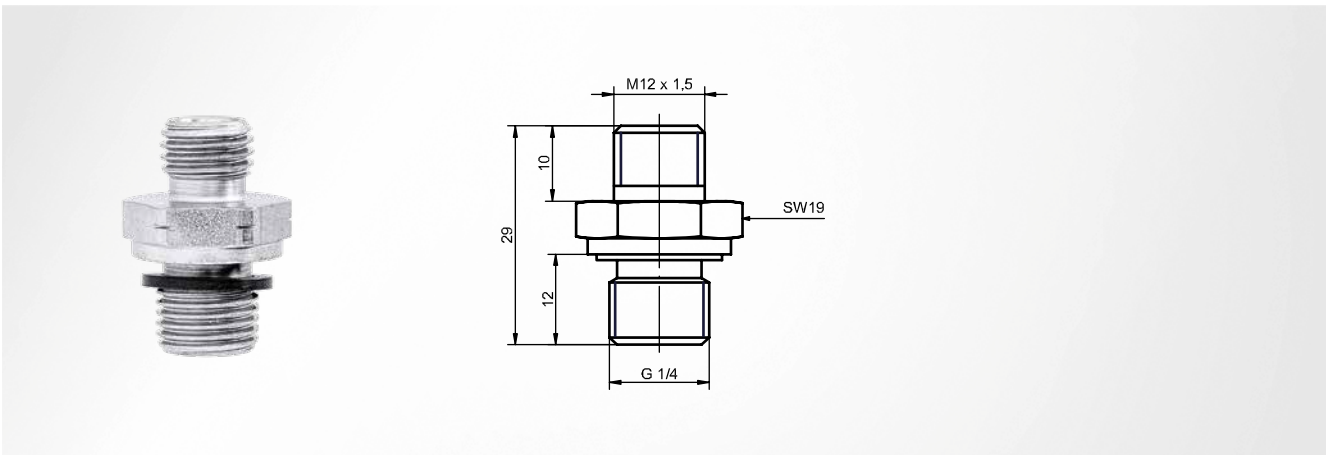
Tubing items may only be used for STEINEL nitrogen systems; assembly may only be carried out by trained personnel

Item number

SZ704530

SZ704405 Screw connection

straight, G1/4



Note

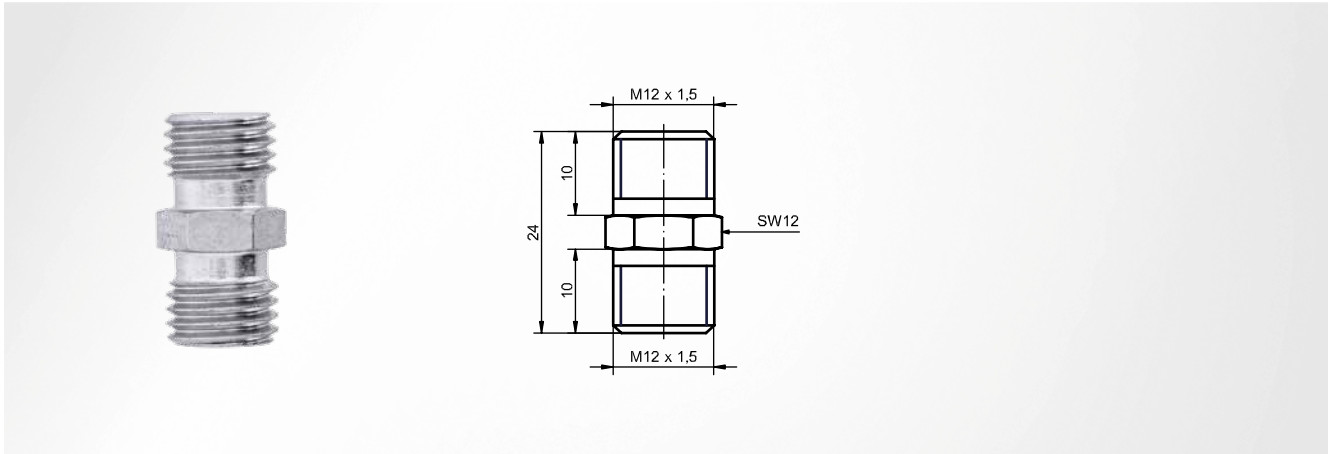
Tubing items may only be used for STEINEL nitrogen systems; assembly may only be carried out by trained personnel

Item number

SZ704405

SZ702406 Screw connection

straight, M12 x 1.5



Note

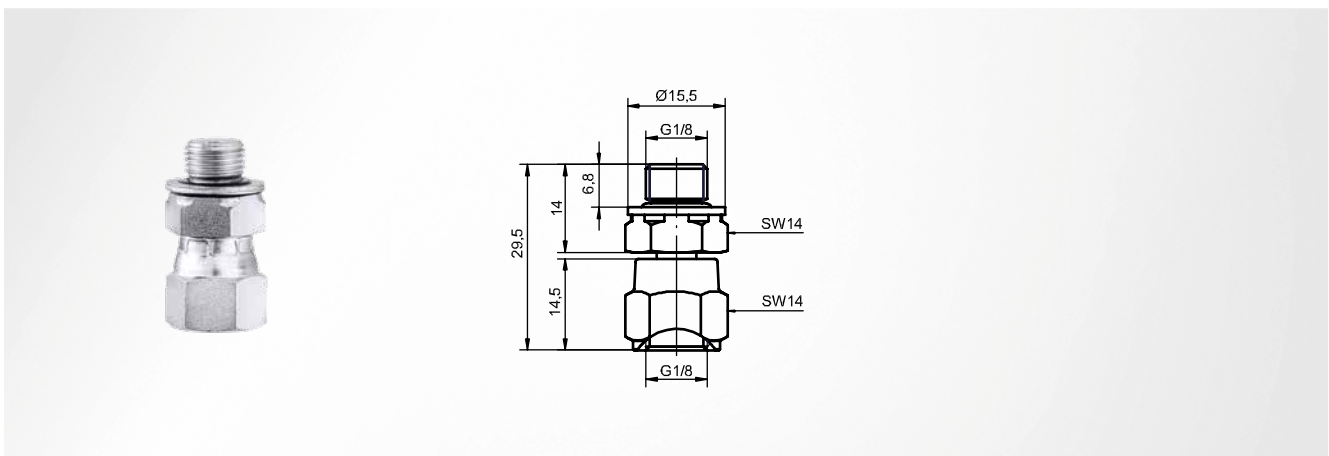
Tubing items may only be used for STEINEL nitrogen systems; assembly may only be carried out by trained personnel

Item number

SZ702406

SZ704531 Screw connection

straight, G1/8-G1/8



Note

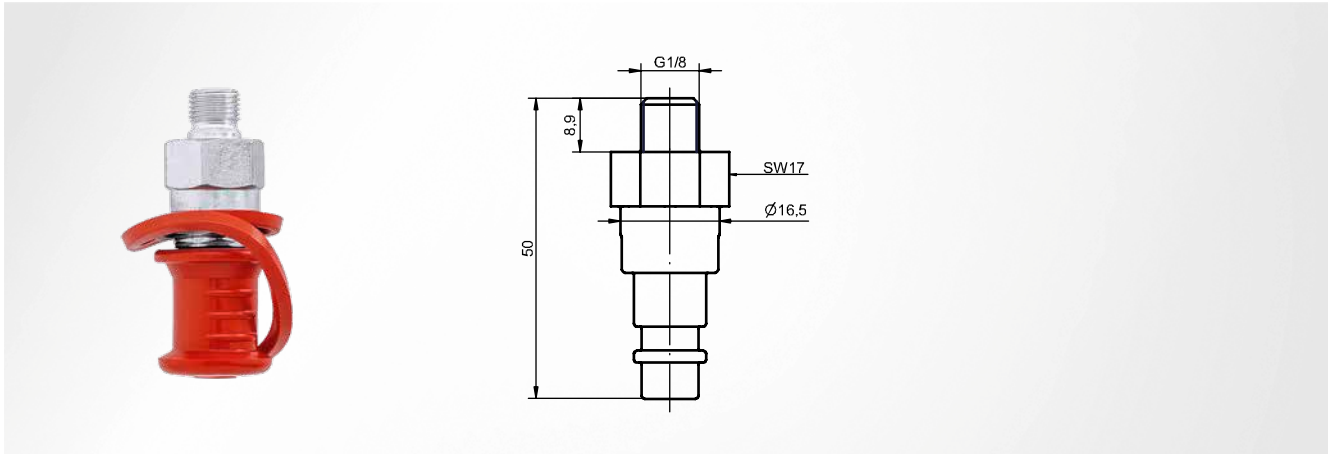
Tubing items may only be used for STEINEL nitrogen systems; assembly may only be carried out by trained personnel

Item number

SZ704531

SZ704302 Quick coupling connector

G1/8



Note

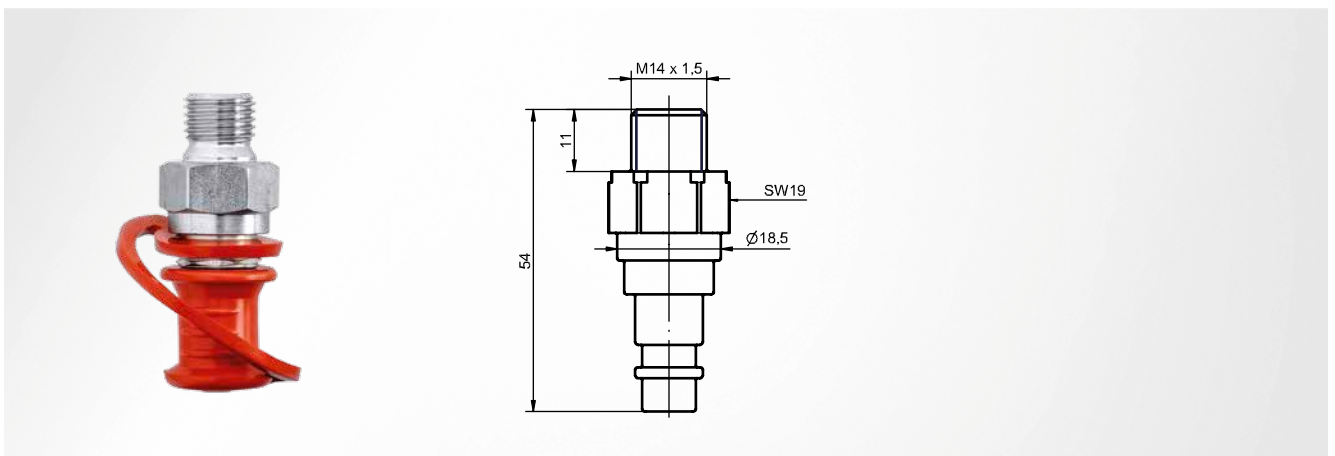
Tubing items may only be used for STEINEL nitrogen systems; assembly may only be carried out by trained personnel

Item number

SZ704302

SZ704406 Quick coupling connector

M14 x 1.5



Note

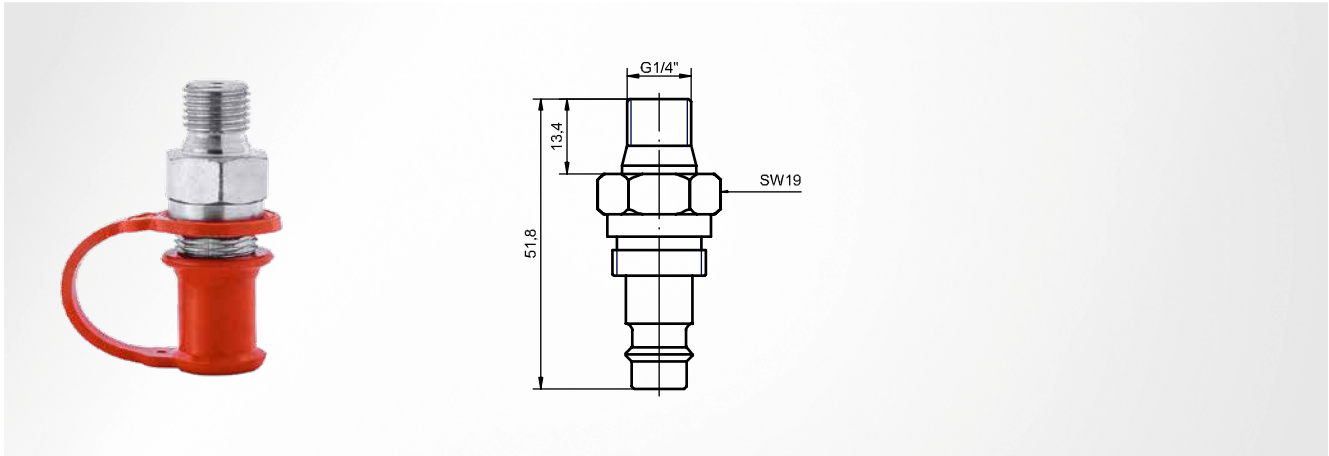
Tubing items may only be used for STEINEL nitrogen systems; assembly may only be carried out by trained personnel

Item number

SZ704406

SZ704204 Quick coupling connector

G1/4



Note

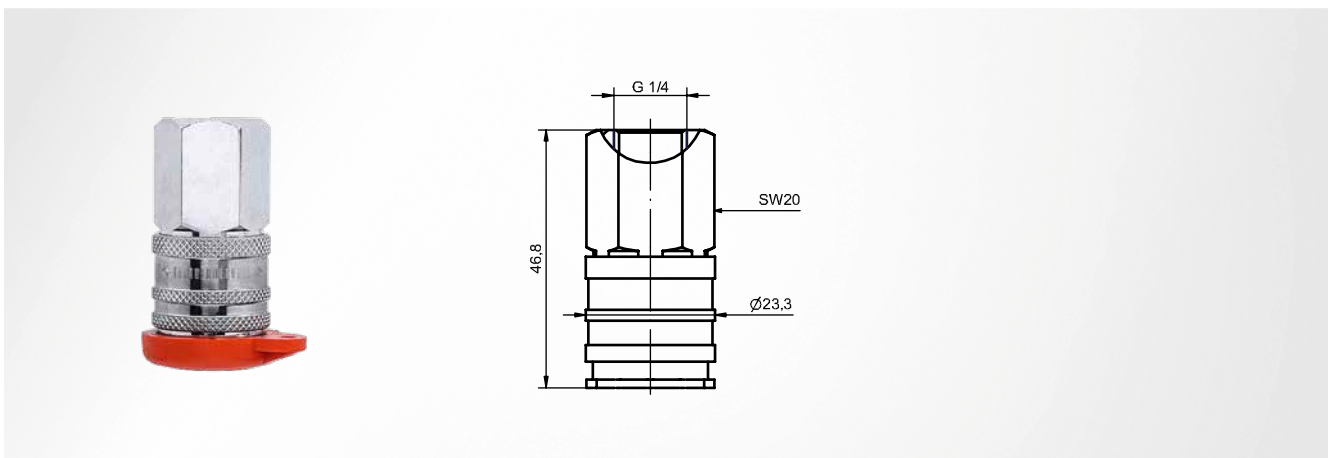
Tubing items may only be used for STEINEL nitrogen systems; assembly may only be carried out by trained personnel

Item number

SZ704204

SZ704303 Quick coupling sleeve

G1/4



Note

Tubing items may only be used for STEINEL nitrogen systems; assembly may only be carried out by trained personnel

Item number

SZ704303