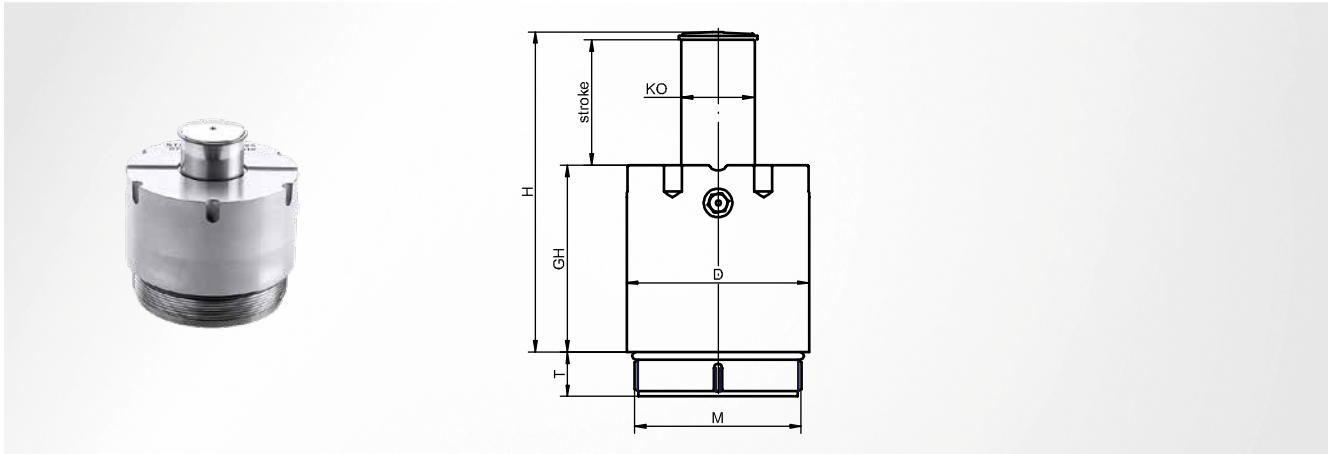


high



Delivery

will be supplied unfilled

Note

Initial force at 110 bar filling pressure

Installation instruction

Case height changes with the stroke; is used when the thickness of the backing plate is limited and the assembly height can be compensated

Initial force daN	Cylinder type	D	KO	M	T	GH	H	Stroke	Item number
500	005	42	12	M36 x 2	15.0	31.3	45.5	12.5	ST8841-1 -005 x 012
						43.8	70.5	25.0	ST8841-1 -005 x 025
						56.8	96.5	38.0	ST8841-1 -005 x 038
						68.8	120.5	50.0	ST8841-1 -005 x 050
						93.8	170.5	75.0	ST8841-1 -005 x 075
						118.8	220.5	100.0	ST8841-1 -005 x 100
1000	010	54	22	M48 x 2	15.5	46.8	73.5	25.0	ST8841-1 -010 x 025
						59.8	99.5	38.0	ST8841-1 -010 x 038
						71.8	123.5	50.0	ST8841-1 -010 x 050
						96.8	173.5	75.0	ST8841-1 -010 x 075
						121.8	223.5	100.0	ST8841-1 -010 x 100
						171.8	323.5	150.0	ST8841-1 -010 x 150
2500	025	70	28	M64 x 2	17.0	46.8	73.0	25.0	ST8841-1 -025 x 025
						59.8	99.0	38.0	ST8841-1 -025 x 038
						71.8	123.0	50.0	ST8841-1 -025 x 050
						96.8	173.0	75.0	ST8841-1 -025 x 075
						121.8	223.0	100.0	ST8841-1 -025 x 100
						171.8	323.0	150.0	ST8841-1 -025 x 150
3500	035	88	28	M80 x 2	19.5	56.5	83.5	25.0	ST8841-1 -035 x 025
						69.5	109.5	38.0	ST8841-1 -035 x 038
						81.5	133.5	50.0	ST8841-1 -035 x 050
						106.5	183.5	75.0	ST8841-1 -035 x 075
						131.5	233.5	100.0	ST8841-1 -035 x 100
						181.5	333.5	150.0	ST8841-1 -035 x 150
5500	055	108	40	M100 x 2	25.0	61.5	88.5	25.0	ST8841-1 -055 x 025
						74.5	114.5	38.0	ST8841-1 -055 x 038
						86.5	138.5	50.0	ST8841-1 -055 x 050
						111.5	188.5	75.0	ST8841-1 -055 x 075
						136.5	238.5	100.0	ST8841-1 -055 x 100
						186.5	338.5	150.0	ST8841-1 -055 x 150
10000	100	146	50	M130 x 2	27.0	66.5	93.5	25.0	ST8841-1 -100 x 025
						79.5	119.5	38.0	ST8841-1 -100 x 038
						91.5	143.5	50.0	ST8841-1 -100 x 050

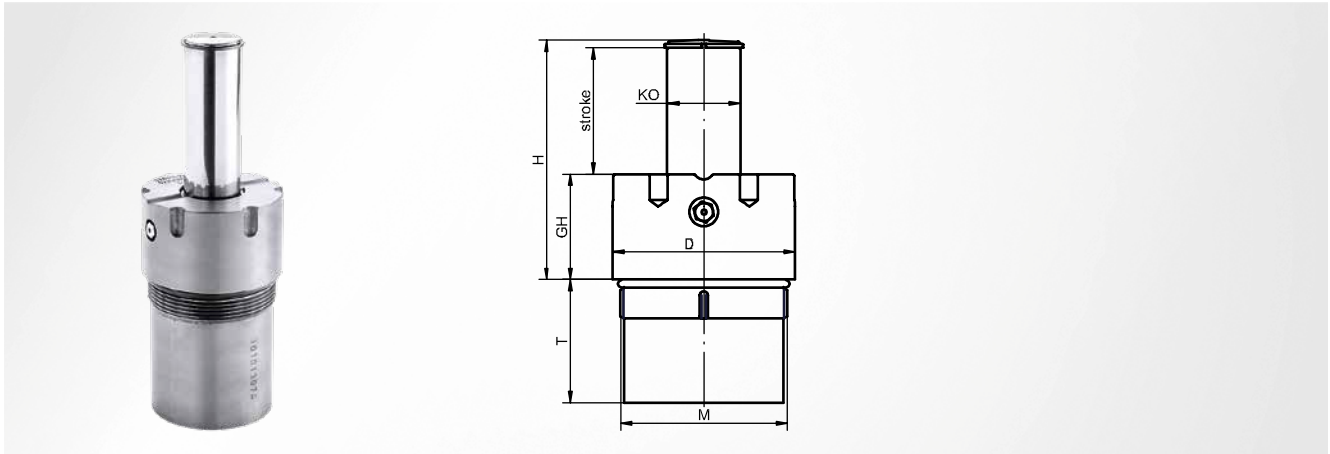
ST8841-1 Manifold cylinder

high

Initial force daN	Cylinder type	D	KO	M	T	GH	H	Stroke	Item number
10000	100	146	50	M130 x 2	27.0	116.5	193.5	75.0	ST8841-1 - 100 x 075
						141.5	243.5	100.0	ST8841-1 - 100 x 100
						191.5	343.5	150.0	ST8841-1 - 100 x 150

ST8841-2 Manifold cylinder

normal



Delivery

will be supplied unfilled

Note

Initial force at 110 bar filling pressure

Installation instruction

Casing installation depth changes with the stroke; is used when the assembly height is limited but the backing plate can be chosen with an appropriate thickness

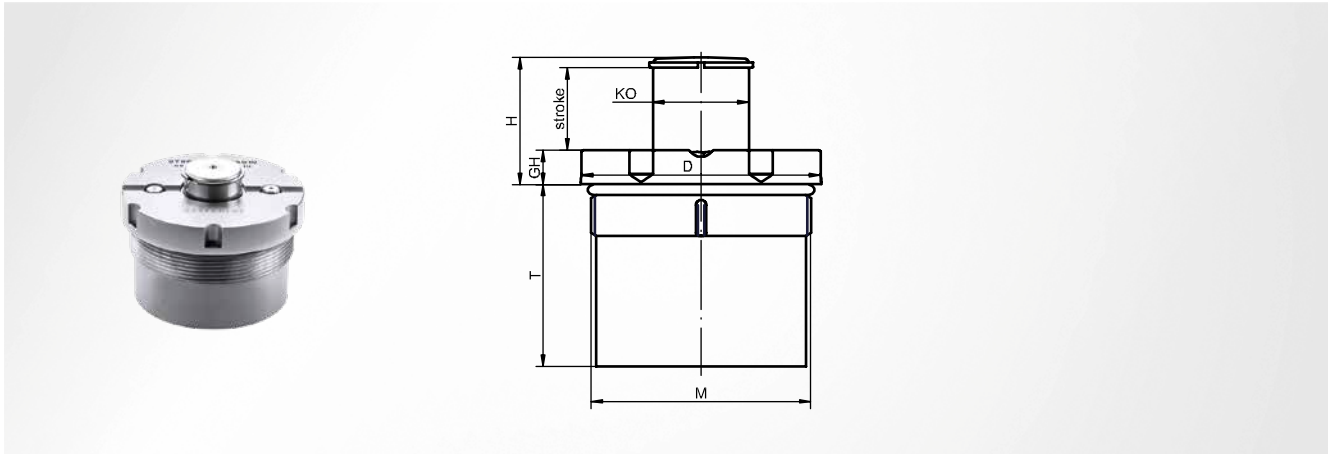
Initial force daN	Cylinder type	D	KO	M	GH	H	Stroke	T	Item number
500	005	42	12	M36 x 2	40.5	54.5	12.5	14.5	ST8841-2 -005 x 012
						67.0	25.0	18.3	ST8841-2 -005 x 025
						80.0	38.0	31.3	ST8841-2 -005 x 038
						92.0	50.0	43.3	ST8841-2 -005 x 050
						117.0	75.0	68.3	ST8841-2 -005 x 075
						142.0	100.0	93.3	ST8841-2 -005 x 100
1000	010	54	22	M48 x 2	40.5	67.0	25.0	21.8	ST8841-2 -010 x 025
						80.0	38.0	34.8	ST8841-2 -010 x 038
						92.0	50.0	46.8	ST8841-2 -010 x 050
						117.0	75.0	71.8	ST8841-2 -010 x 075
						142.0	100.0	96.8	ST8841-2 -010 x 100
						192.0	150.0	146.8	ST8841-2 -010 x 150
2500	025	70	28	M64 x 2	40.5	67.0	25.0	22.3	ST8841-2 -025 x 025
						80.0	38.0	35.3	ST8841-2 -025 x 038
						92.0	50.0	47.3	ST8841-2 -025 x 050
						117.0	75.0	72.3	ST8841-2 -025 x 075
						142.0	100.0	97.3	ST8841-2 -025 x 100
						192.0	150.0	147.3	ST8841-2 -025 x 150
3500	035	88	28	M80 x 2	49.5	76.5	25.0	26.5	ST8841-2 -035 x 025
						89.5	38.0	39.5	ST8841-2 -035 x 038
						101.5	50.0	51.5	ST8841-2 -035 x 050
						126.5	75.0	76.5	ST8841-2 -035 x 075
						151.5	100.0	101.5	ST8841-2 -035 x 100
						201.5	150.0	151.5	ST8841-2 -035 x 150
5500	055	108	40	M100 x 2	52.5	79.5	25.0	34.0	ST8841-2 -055 x 025
						92.5	38.0	47.0	ST8841-2 -055 x 038
						104.5	50.0	59.0	ST8841-2 -055 x 050
						129.5	75.0	84.0	ST8841-2 -055 x 075
						154.5	100.0	109.0	ST8841-2 -055 x 100
						204.5	150.0	159.0	ST8841-2 -055 x 150
10000	100	146	50	M130 x 2	62.5	89.5	25.0	31.0	ST8841-2 -100 x 025
						102.5	38.0	44.0	ST8841-2 -100 x 038
						114.5	50.0	56.0	ST8841-2 -100 x 050

ST8841-2 Manifold cylinder

normal

Initial force daN	Cylinder type	D	KO	M	GH	H	Stroke	T	Item number
10000	100	146	50	M130 x 2	62.5	139.5	75.0	81.0	ST8841-2 -100 x 075
						164.5	100.0	106.0	ST8841-2 -100 x 100
						214.5	150.0	156.0	ST8841-2 -100 x 150

low



Delivery

will be supplied unfilled

Note

Initial force at 110 bar filling pressure

Installation instruction

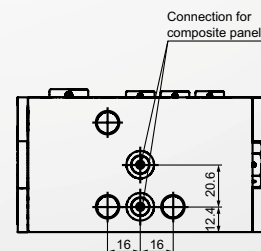
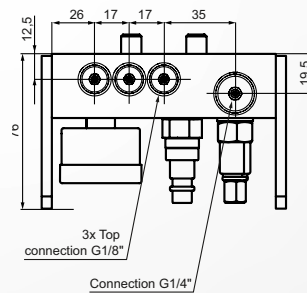
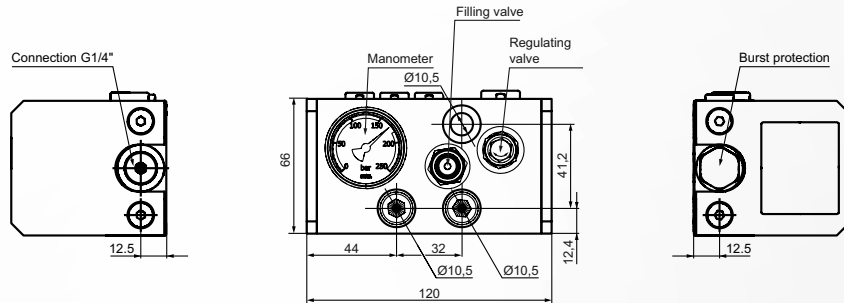
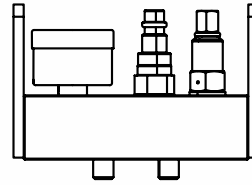
Casing installation depth changes with the stroke; is used mainly for small strokes and wherever the smallest assembly heights are required.

Initial force daN	Cylinder type	D	KO	M	GH	H	Stroke	T	Item number
500	005	42	12	M36 x 2	10	17.7	6	29.8	ST8841-3 -005 x 006
						21.7	10	33.8	ST8841-3 -005 x 010
						26.7	15	38.8	ST8841-3 -005 x 015
						31.7	20	43.8	ST8841-3 -005 x 020
						36.7	25	48.8	ST8841-3 -005 x 025
1000	010	54	22	M48 x 2	10	17.0	6	33.3	ST8841-3 -010 x 006
						21.0	10	37.3	ST8841-3 -010 x 010
						26.0	15	42.3	ST8841-3 -010 x 015
						31.0	20	47.3	ST8841-3 -010 x 020
						36.0	25	52.3	ST8841-3 -010 x 025
2500	025	70	28	M64 x 2	10	18.0	6	34.0	ST8841-3 -025 x 006
						22.0	10	38.0	ST8841-3 -025 x 010
						27.0	15	43.0	ST8841-3 -025 x 015
						32.0	20	48.0	ST8841-3 -025 x 020
						37.0	25	53.0	ST8841-3 -025 x 025
3500	035	88	28	M80 x 2	14	22.0	6	38.0	ST8841-3 -035 x 006
						26.0	10	42.0	ST8841-3 -035 x 010
						31.0	15	47.0	ST8841-3 -035 x 015
						36.0	20	52.0	ST8841-3 -035 x 020
						41.0	25	57.0	ST8841-3 -035 x 025
5500	055	108	40	M100 x 2	14	23.0	6	44.5	ST8841-3 -055 x 006
						27.0	10	48.5	ST8841-3 -055 x 010
						32.0	15	53.5	ST8841-3 -055 x 015
						37.0	20	58.5	ST8841-3 -055 x 020
						42.0	25	63.5	ST8841-3 -055 x 025
10000	100	146	50	M130 x 2	20	28.0	6	54.5	ST8841-3 -100 x 006
						32.0	10	58.5	ST8841-3 -100 x 010
						37.0	15	63.5	ST8841-3 -100 x 015
						42.0	20	68.5	ST8841-3 -100 x 020
						47.0	25	73.5	ST8841-3 -100 x 025

ST8845-01-01 Control panel

STEINEL®

for manifold plates, with burst protection, standard



Burst protection

integrated

Burst pressure

180 bar

Mounting screw

2x M10 x 30

Connection

3x G1/8"; 2x G1/4"; 2x prepared connections for manifold plates (closed); connection for pressure controller ST8845-DW250W2

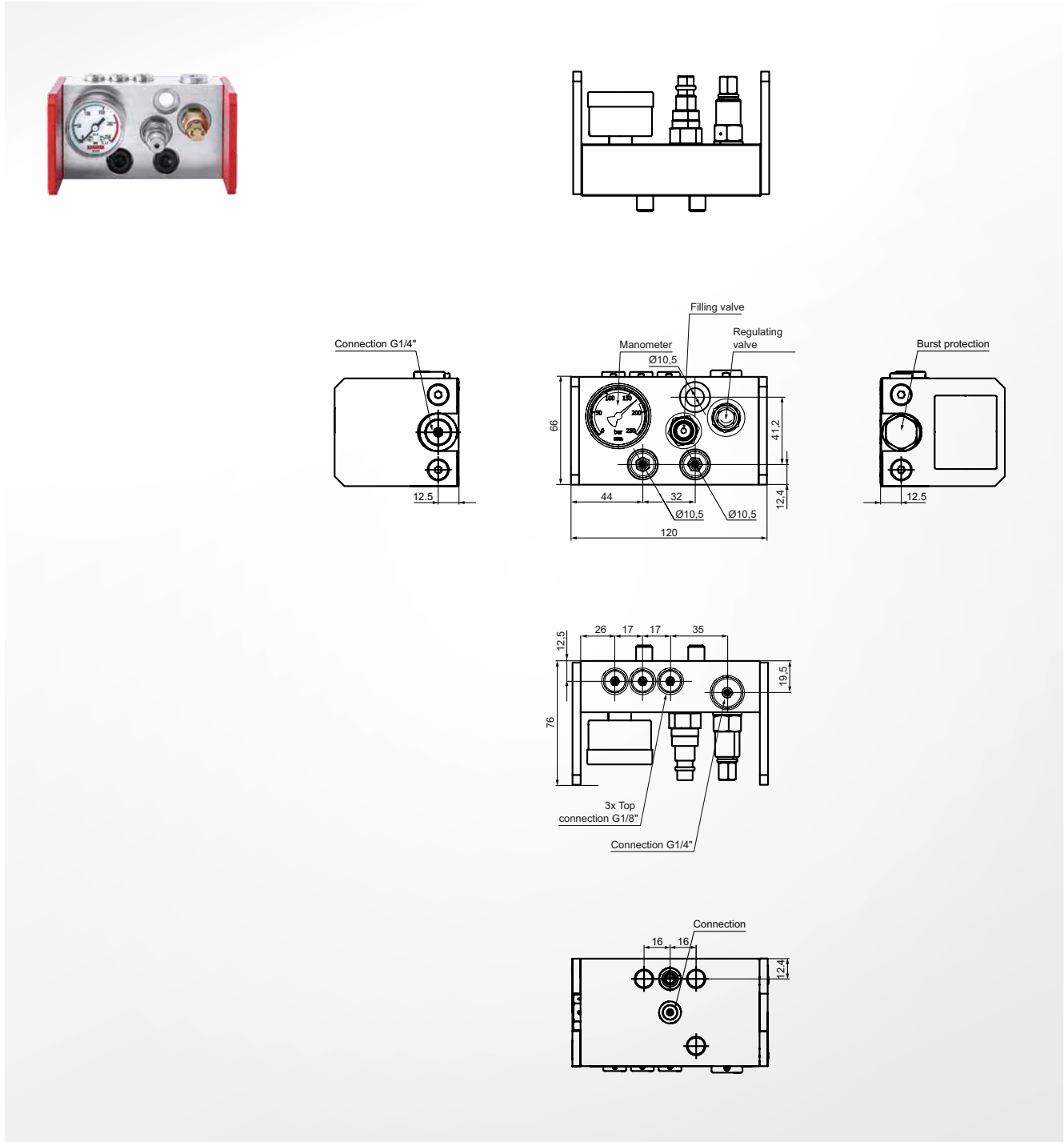
Item number

ST8845-01-01

ST8845-32-01 Control panel

STEINEL®

32 mm, for manifold plates, with burst protection, standard



Burst protection

integrated

Burst pressure

180 bar

Installation instruction

for attachment/fitting to manifold plates = 32 mm

Mounting screw

2x M10 x 30

Connection

3x G1/8"; 2x G1/4"; 2 x prepared connections for manifold plates (1x open at the bottom); connection for pressure controller ST8845-DW250W2

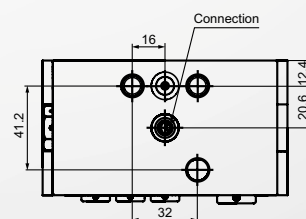
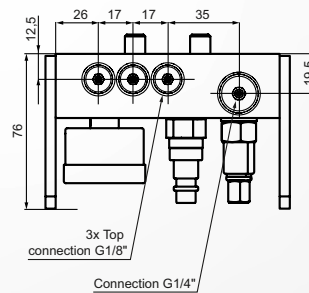
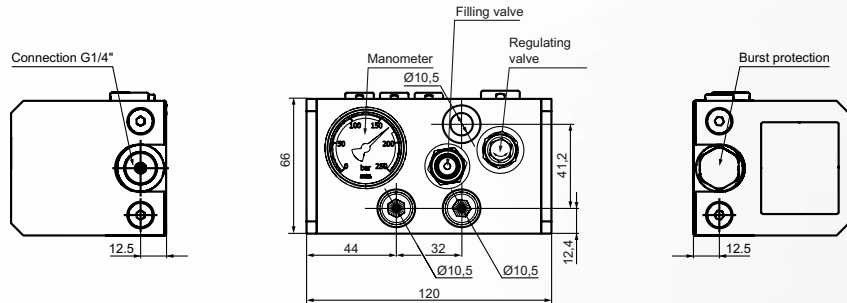
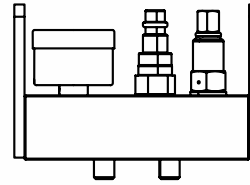
Item number

ST8845-32-01

ST8845-80-01 Control panel

STEINEL®

80 mm, for manifold plates, with burst protection, standard



Burst protection

integrated

Burst pressure

180 bar

Installation instruction

for attachment/fitting to manifold plates = 80 mm

Mounting screw

2x M10 x 30

Connection

3x G1/8"; 2x G1/4"; 2 x prepared connections for manifold plates (1x open at the top); connection for pressure controller ST8845-DW250W2

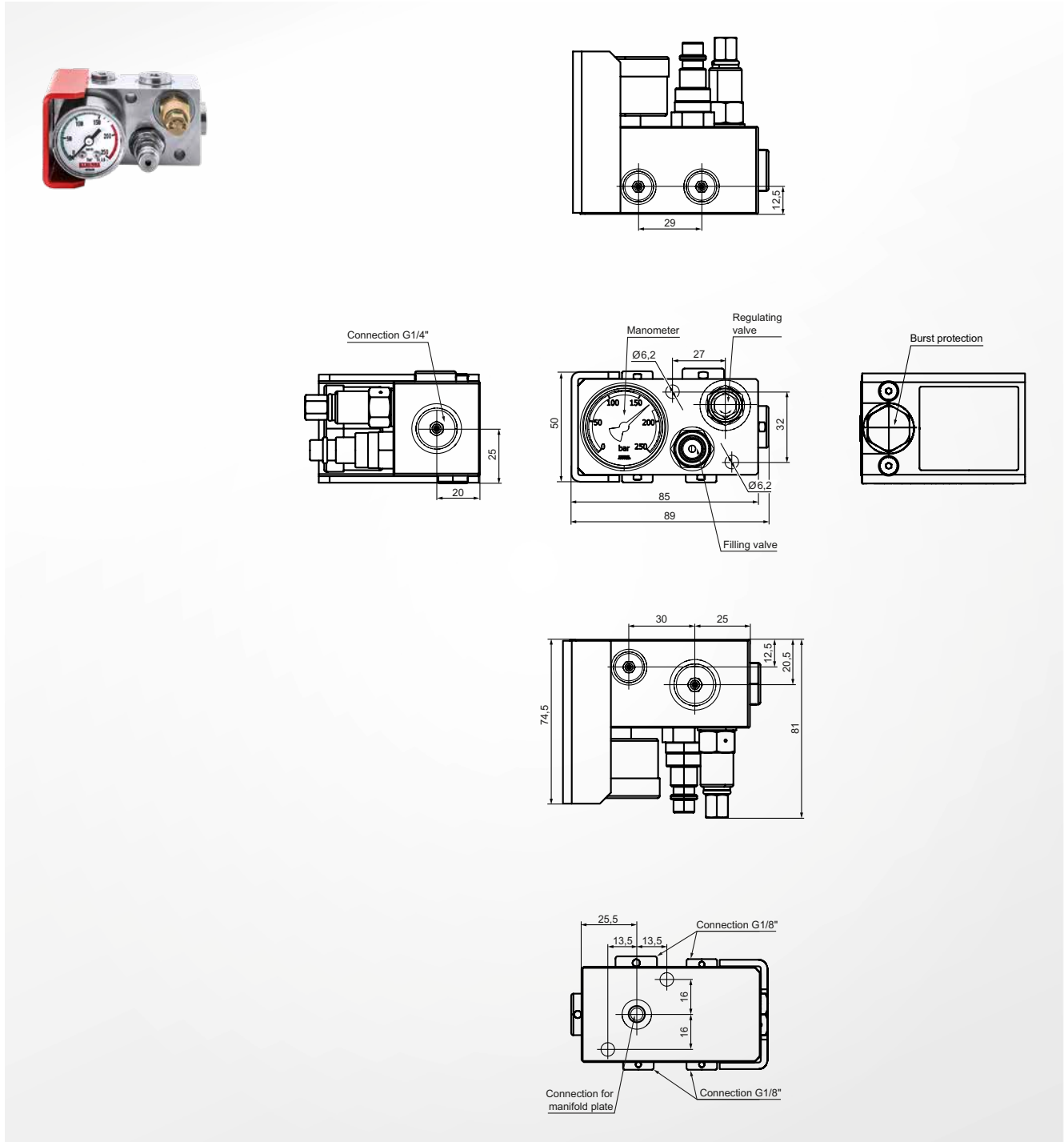
Item number

ST8845-80-01

ST8845-8 Control panel

STEINEL®

for manifold plates, mini, with burst protection



Burst protection

integrated

Burst pressure

180 bar

Installation instruction

for attachment/fitting to manifold plates = 80 mm

Mounting screw

2x M6 x 50

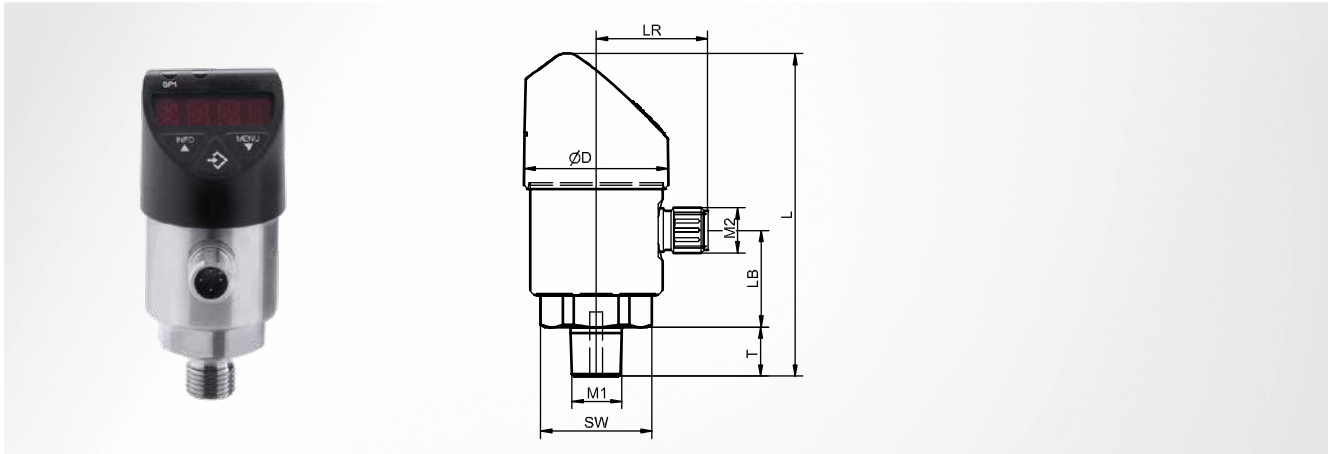
Connection

3x G1/8"; 2x G1/4"; 1x prepared connection for manifold plates; connection for pressure controller ST8845-DW250W2

Item number

ST8845-8

pressure controller



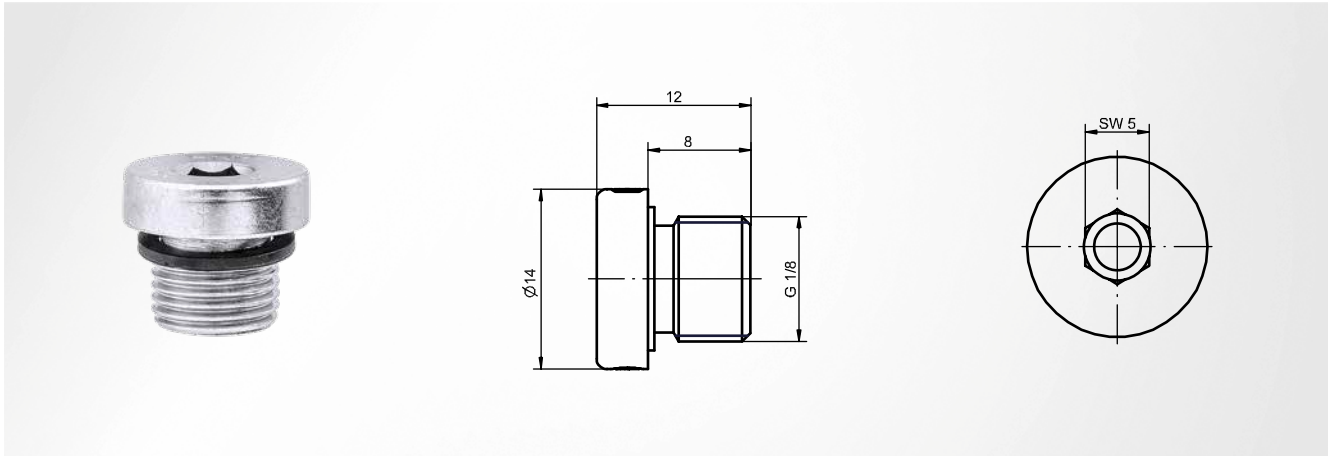
Note

with a switch outlet 0...10 V; switching to p or n potential;
 IO-Link: without; power supply: DC 15...35 V;
 permissible temperature for medium: -20 ... +85 °C;
 electrical connection: circular connector M12 x 1 (4-pin);
 electrical output assignment: U+=1, U-=3, S+=2, SP1=4;
 accuracy: $\pm 0.5\%$ of span

D	adjustment range	T	LB	LR	SW	M ₁	M ₂	L	Item number
~ 38	0...250	14	26.0	29.5	27	G1/4	M12 x 1	86	ST8845 - DW250W2
~ 38	0...600	14	26.0	29.5	27	G1/4	M12 x 1	86	ST8845 - DW600W2

SZ704301 Sealing plug

G1/8



Note

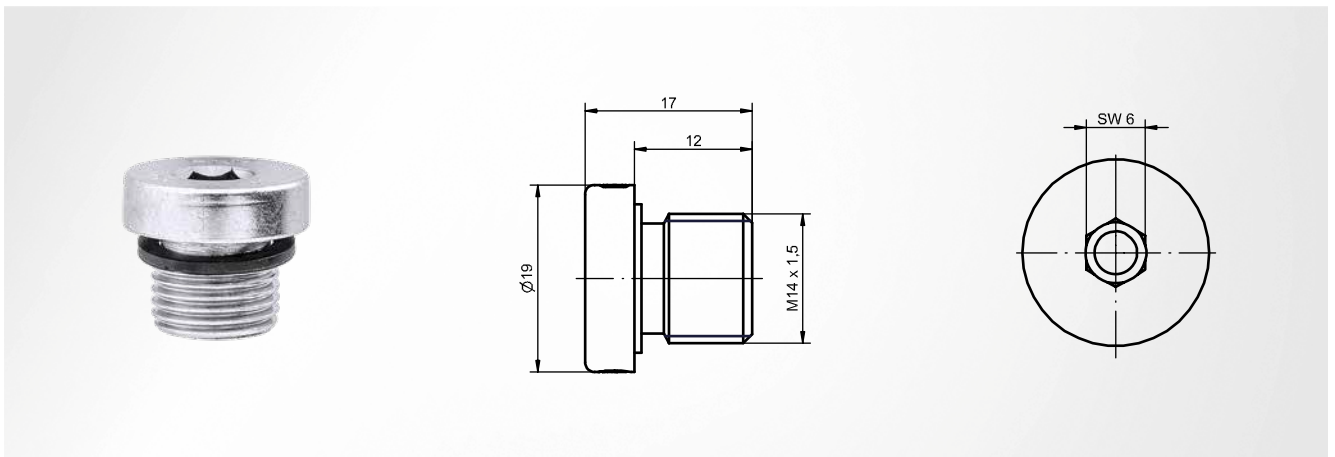
Tubing items may only be used for STEINEL nitrogen systems; assembly may only be carried out by trained personnel

Item number

SZ704301

SZ704404 Sealing plug

G1/4



Note

Tubing items may only be used for STEINEL nitrogen systems; assembly may only be carried out by trained personnel

Item number

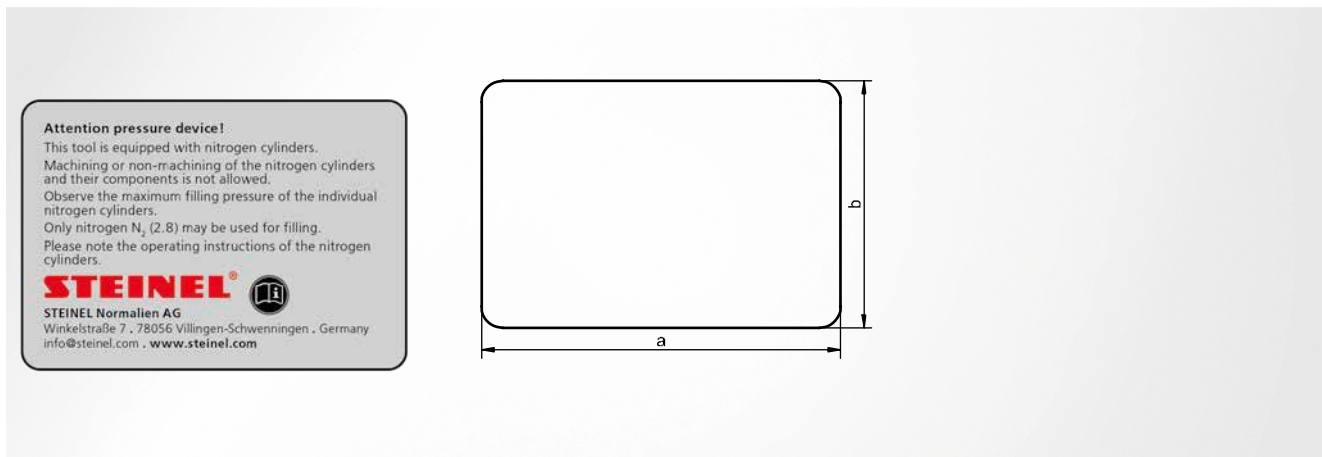
SZ704404

Tapping units

Module system

Machine elements

Accessories



a	b	Language	Item number
50	35	german	SZ8099 -002
		englisch	SZ8099 -102
		french	SZ8099 -202
105	75	german	SZ8099 -001
		englisch	SZ8099 -101
		french	SZ8099 -201
150	110	german	SZ8099 -003
		englisch	SZ8099 -103
		french	SZ8099 -203

ST8841-DS Gasket kit

for manifold cylinder



Scope of supply

Scraper; piston seal; piston guide; O-ring; rod guide; high-performance oil

Compatibel cylinder	Item number
ST8841-1-005, ST8841-2-005, ST8841-3-005	ST8841 -005-DS
ST8841-1-010, ST8841-2-010, ST8841-3-010	ST8841 -010-DS
ST8841-1-025, ST8841-2-025, ST8841-3-025	ST8841 -025-DS

Compatibel cylinder	Item number
ST8841-1-035, ST8841-2-035, ST8841-3-035	ST8841 -035-DS
ST8841-1-055, ST8841-2-055, ST8841-3-055	ST8841 -055-DS
ST8841-1-100, ST8841-2-100, ST8841-3-100	ST8841 -100-DS

ST8841-ZB Accessory kit

for manifold cylinder



Scope of supply

Bleed valve; lubricating nipple; lock ring

Compatibel cylinder	Item number
ST8841-1-005, ST8841-2-005	ST8841 -1-005-ZB
ST8841-1-010, ST8841-2-010	ST8841 -1-010-ZB
ST8841-1-025, ST8841-2-025	ST8841 -1-025-ZB
ST8841-1-035, ST8841-2-035	ST8841 -1-035-ZB

Compatibel cylinder	Item number
ST8841-1-055, ST8841-2-055	ST8841 -1-055-ZB
ST8841-1-100, ST8841-2-100	ST8841 -1-100-ZB
ST8841-3-003	ST8841 -3-005-ZB
ST8841-3-010	ST8841 -3-010-ZB

Tapping units

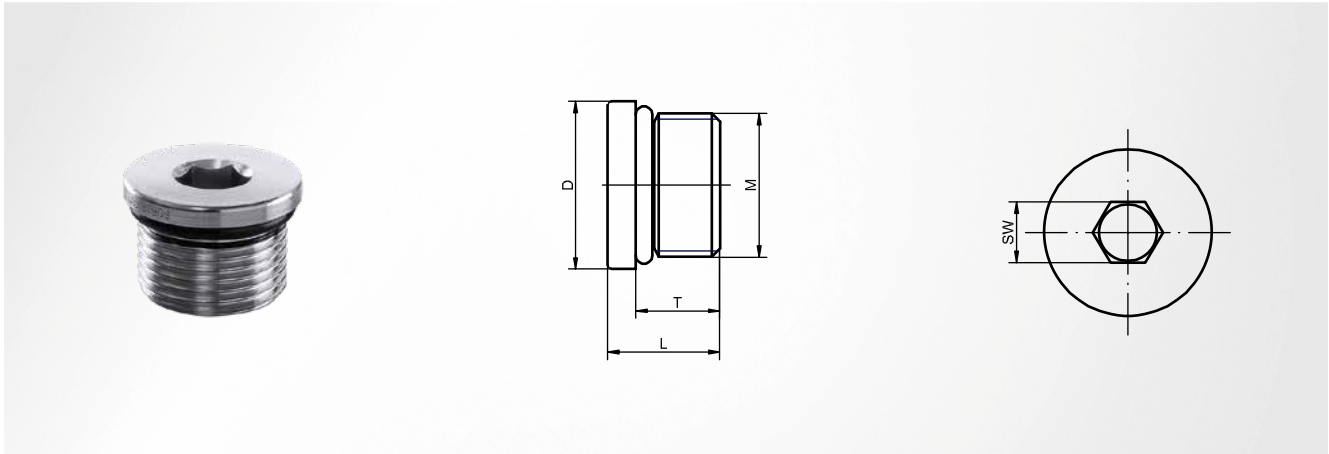
Module system

Machine elements

Accessories

ST8842 Sealing plug

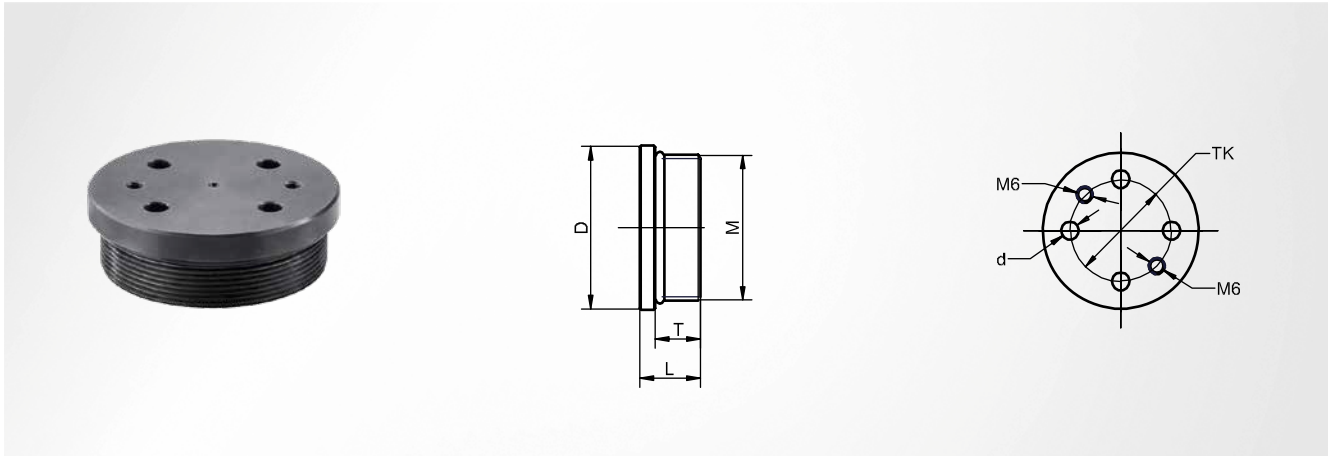
with six pans creux



Note

is used for sealing the volume or connecting holes

D	M	L	SW	Torque Nm	Bore hole diameter	Circular area cm ²	T	Item number
16	1/2"-20 UNF	12.0	5	40	10	0.785	9.0	ST8842 -012
19	M14 x 1.5	14.0	6	45	12	2.011	11.0	ST8842 -014
22	3/4"-16 UNF	15.0	8	55	16	1.131	12.0	ST8842 -016
27	M20 x 1.5	18.0	10	70	18	2.545	14.0	ST8842 -020
32	M27 x 2	22.5	12	160	24	4.524	18.5	ST8842 -027



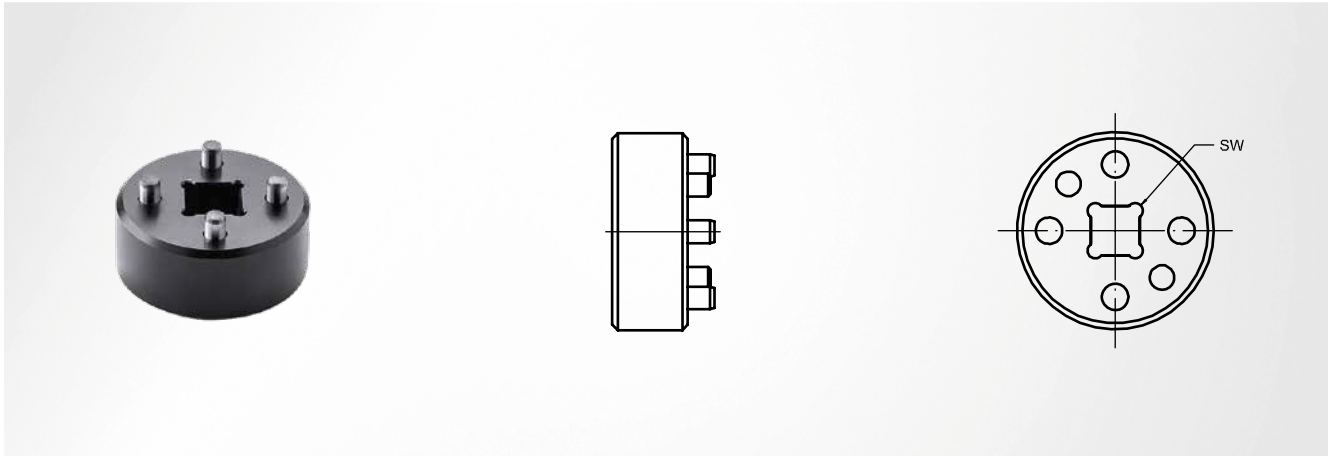
Note

is used for sealing the volume or connecting holes

D	M	d	T	TK	Torque Nm	Bore hole diameter	Circular area cm ²	L	Item number
42	M36 x 2	5.2	15	25	300	33	8.553	20	ST8842 -036
48	M42 x 2	5.2	15	30	330	39	11.946	20	ST8842 -042
54	M48 x 2	6.2	15	35	440	45	15.904	20	ST8842 -048
70	M64 x 2	6.2	15	45	440	61	28.274	20	ST8842 -064
88	M80 x 2	8.2	20	55	800	77	45.365	30	ST8842 -080
108	M100 x 2	8.2	20	70	1000	97	72.382	30	ST8842 -100
145	M130 x 2	8.2	20	90	1200	127	124.69	30	ST8842 -130

ST8842-WKZ-5 Assembly tool

for sealing plug

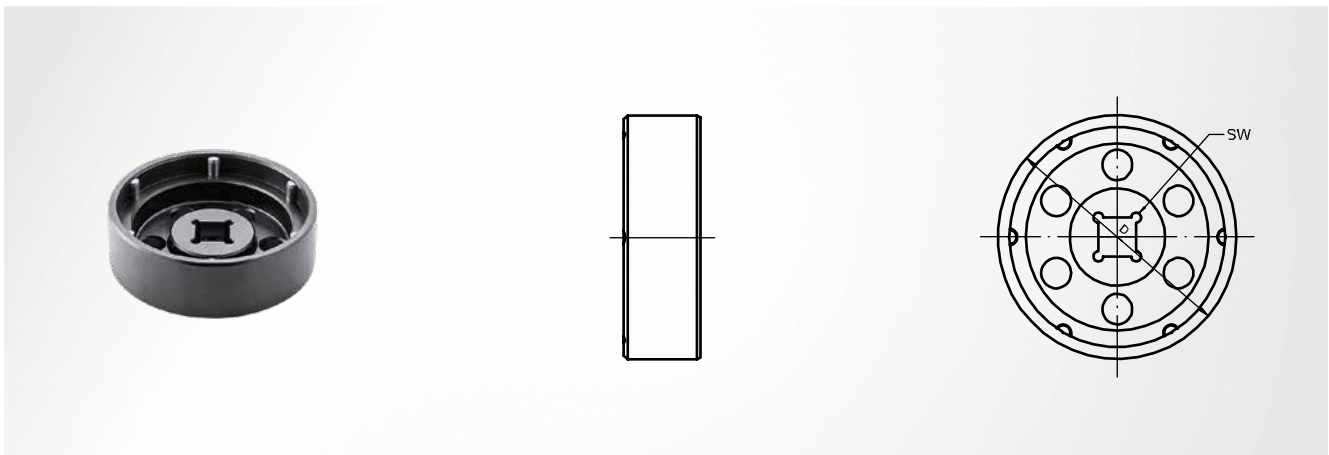


M	SW	Item number
M36 x 2	12.7	ST8842 - WKZ-5-036
M42 x 2	12.7	ST8842 - WKZ-5-042
M48 x 2	12.7	ST8842 - WKZ-5-048
M64 x 2	19.0	ST8842 - WKZ-5-064

M	SW	Item number
M80 x 2	19.0	ST8842 - WKZ-5-080
M100 x 2	19.0	ST8842 - WKZ-5-100
M130 x 2	19.0	ST8842 - WKZ-5-130

ST8841-WKZ-3 Socket

for manifold cylinder



Note

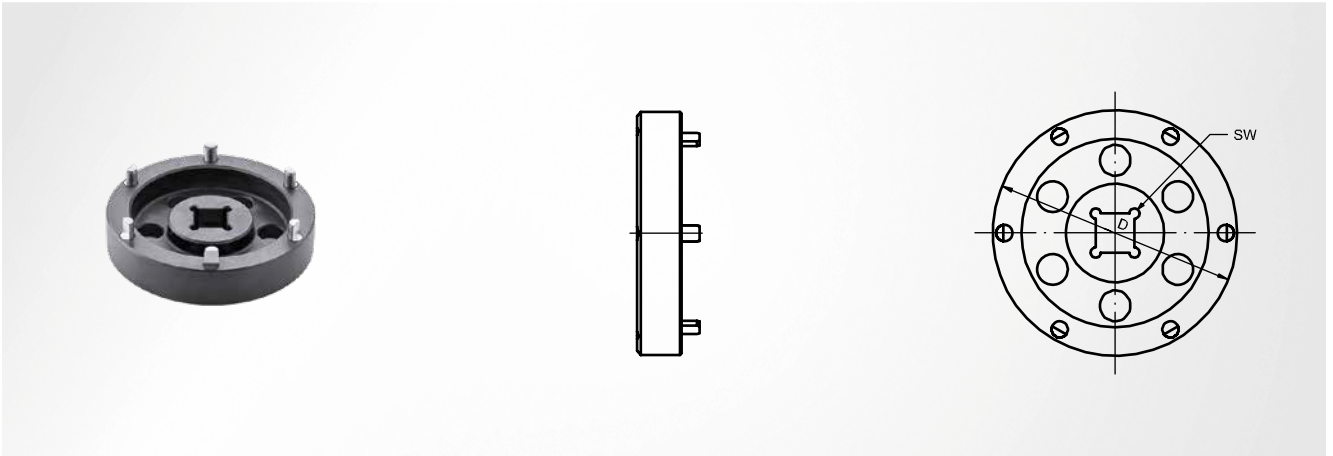
is used when there is an open installation space and standard installation clearance in the event of several cylinders on a manifold plate; when there is a sufficient depression diameter in the event of recessed installation

Cylinder type	D	SW	Item number
005	52	12.7	ST8841 - WKZ-3-005
010	64	12.7	ST8841 - WKZ-3-010
025	82	12.7	ST8841 - WKZ-3-025

Cylinder type	D	SW	Item number
035	100	12.7	ST8841 - WKZ-3-035
055	120	19.0	ST8841 - WKZ-3-055
100	165	19.0	ST8841 - WKZ-3-100

ST8841-WKZ-41 Socket

for manifold cylinder



Note

is used in the event of recessed installation or a shortened cylinder installation clearance

Cylinder type	D	SW	Item number
005	52	12.7	ST8841 -WKZ-41-005
010	64	12.7	ST8841 -WKZ-41-010
025	82	12.7	ST8841 -WKZ-41-025

Cylinder type	D	SW	Item number
035	100	19.0	ST8841 -WKZ-41-035
055	120	19.0	ST8841 -WKZ-41-055
100	165	19.0	ST8841 -WKZ-41-100