



Control cabinet with a Bosch Rexroth control unit featuring a colourful 12" touch screen display and a two-channel emergency stop input/output for a safe drive shutdown procedure. Up to 4 drives may be controlled

**Note**

minimal quantity lubrication system is available upon request

**Power supply**

3 x 400 V AC / 50 Hz / 16 A

**Connection S-Former E**

singel, double, triple, fourfold

**Size incl. control cabinet (W x H x D)**

600 x 1530 x 350 mm

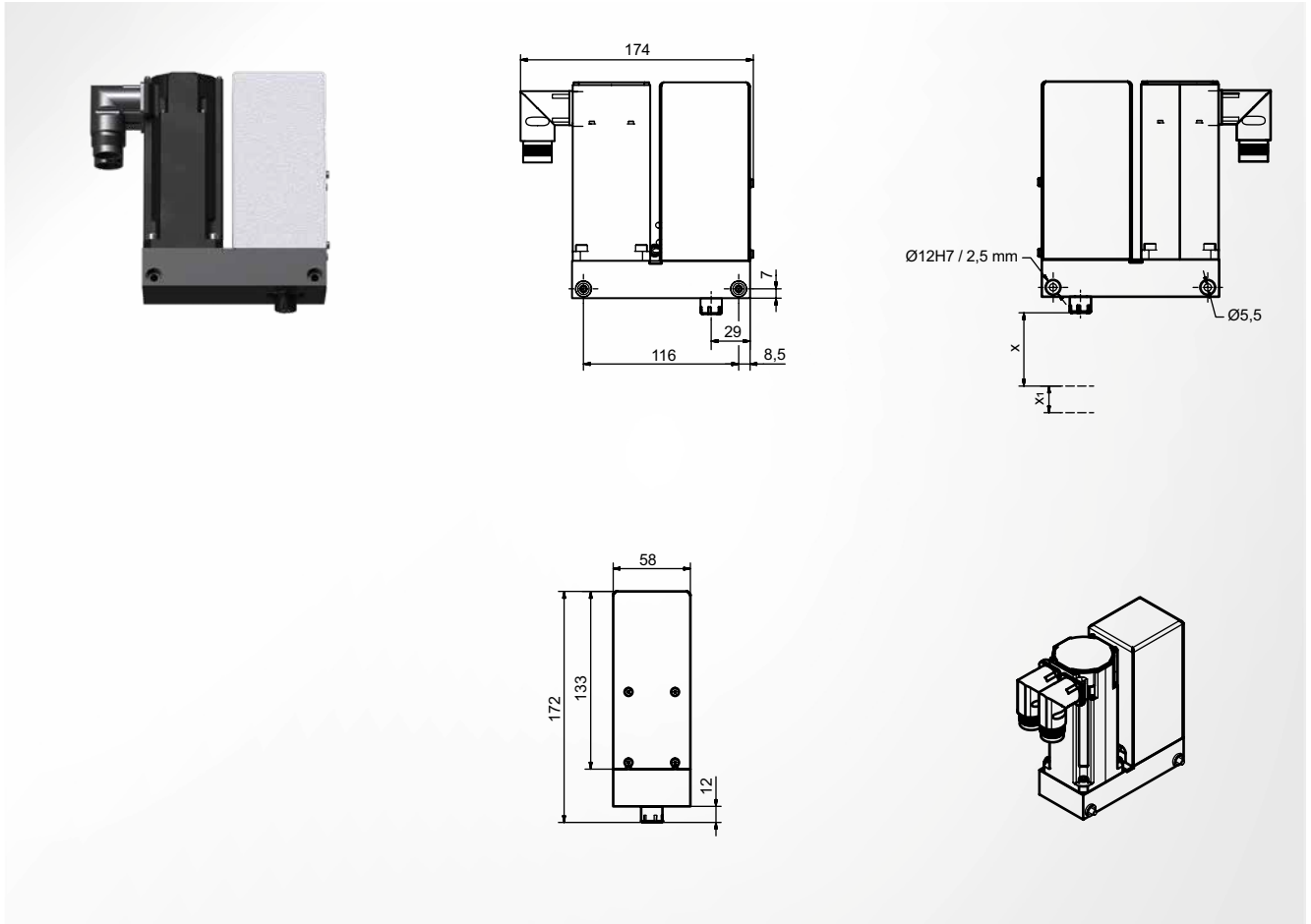
**Weight incl. control cabinet**

35-50 kg

# SZ8871.00 Tapping unit E0

**STEINEL®**

thread M1-M4, max. thread form distance 20 mm



## Ø Thread

1-4 mm

## Number of strokes

up to max. 160 H/min depending on the application

## Max. torque

2 Nm

## Max. distance

X1 = 20 mm

## Max. overhang

X = 55 mm

## Ø Thread former shaft

1-4 mm

## Rotational speed up to

5000 1/min

## Note

Each roll tap can be used in accordance with DIN 2174

## Optional accessories

SZ9400

## Item number

SZ8871.00

Module  
system

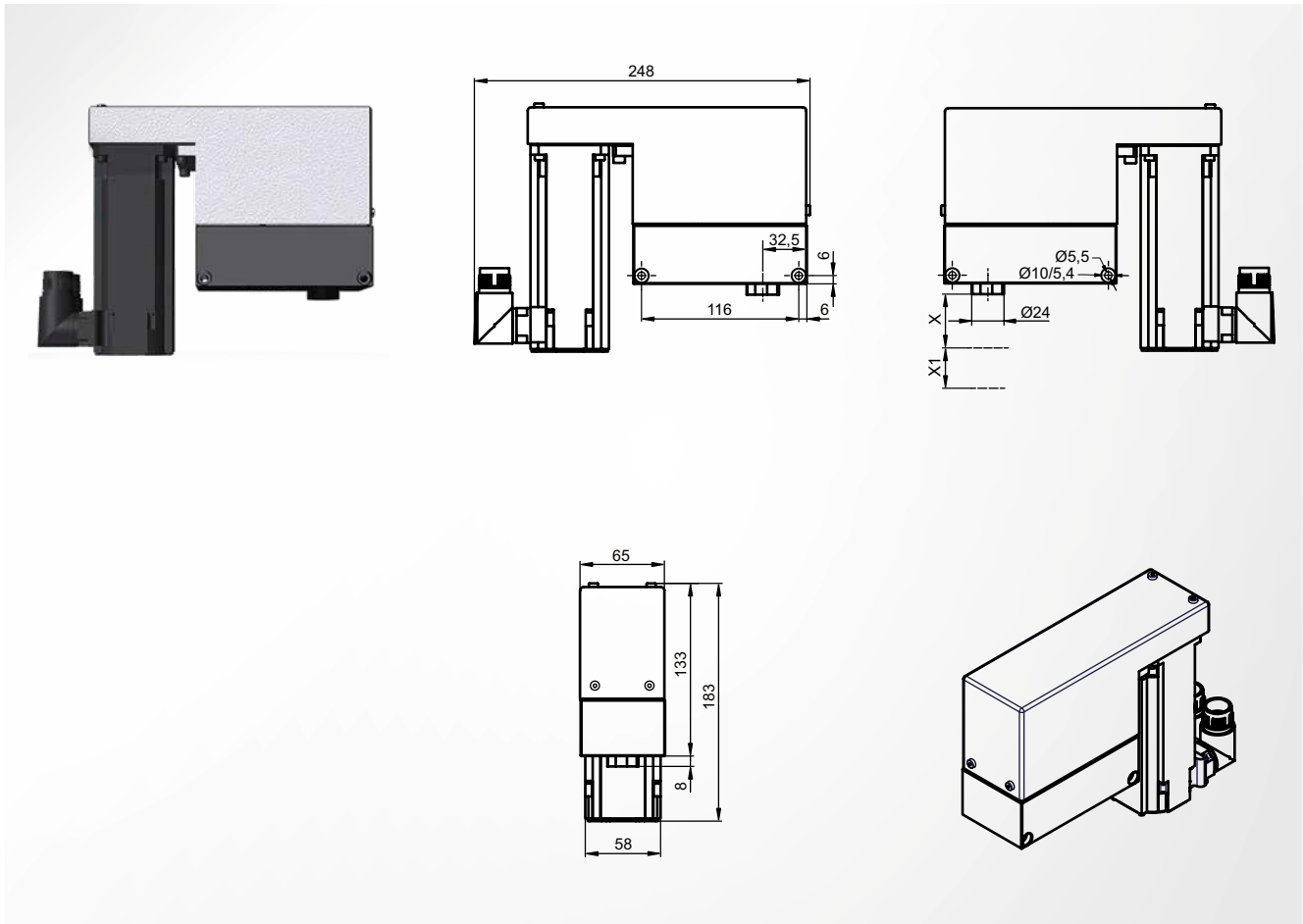
Machine  
elements

Accessories

# SZ2701 Tapping unit E1.1

**STEINEL®**

thread M4-M8, max. thread form distance 30 mm



**Ø Thread**

4-8 mm

**Number of strokes**

up to max. 110 H/min depending on the application

**Max. torque**

8 Nm

**Max. distance**

X1 = 30 mm

**Max. overhang**

X = 40 mm

**Ø Thread former shaft**

4-8 mm

**Rotational speed up to**

3250 1/min

**Note**

Each roll tap can be used in accordance with DIN 2174

**Optional accessories**

SZ9400

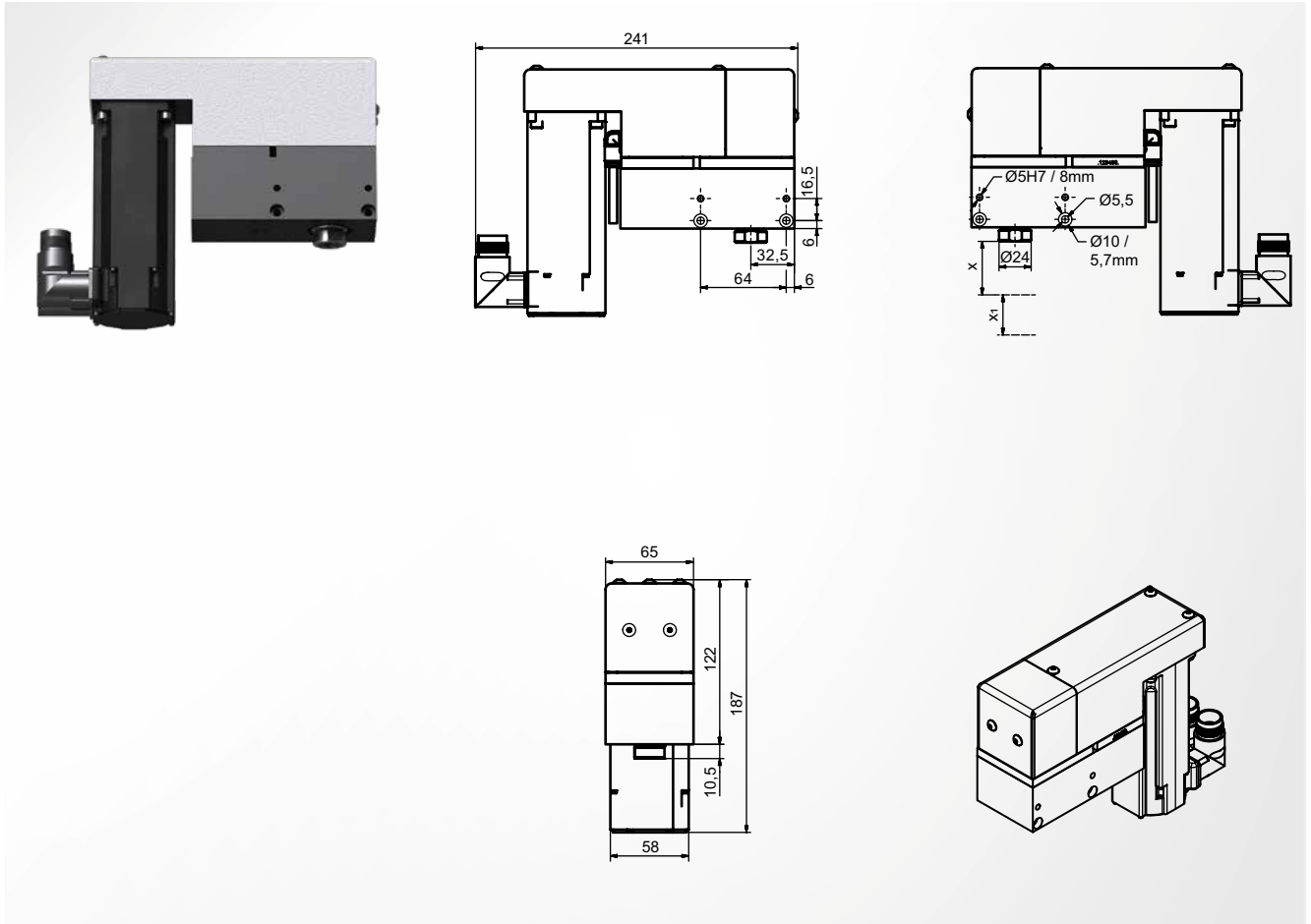
**Item number**

SZ2701

# SZ8871.01 Tapping unit E1

**STEINEL®**

thread M4-M8, max. thread form distance 30 mm



## Ø Thread

4-8 mm

## Number of strokes

up to max. 80 H/min depending on the application

## Max. torque

10 Nm

## Max. distance

X1 = 30 mm

## Max. overhang

X = 40 mm

## Ø Thread former shaft

4-8 mm

## Rotational speed up to

2500 1/min

## Note

Each roll tap can be used in accordance with DIN 2174

## Optional accessories

SZ9400

## Item number

SZ8871.01

Module  
system

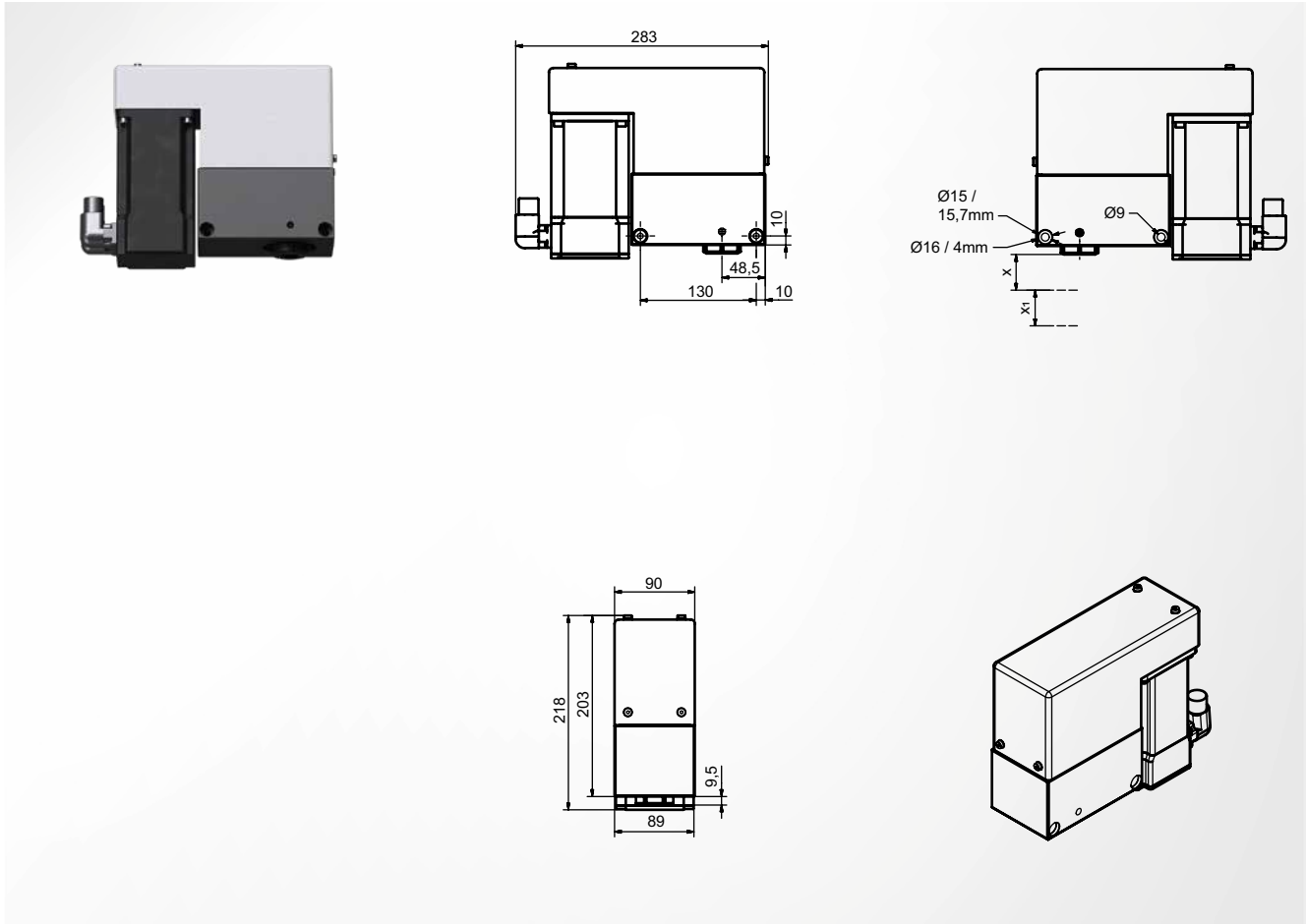
Machine  
elements

Accessories

# SZ8871.02 Tapping unit E2

**STEINEL®**

thread M8-M16, max. thread form distance 40 mm



**Ø Thread**

8-16 mm

**Number of strokes**

up to max. 70 H/min depending on the application

**Max. torque**

20 Nm

**Max. distance**

X1 = 40 mm

**Max. overhang**

X = 40 mm

**Ø Thread former shaft**

8-12 mm

**Rotational speed up to**

2500 1/min

**Note**

Each roll tap can be used in accordance with DIN 2174

**Optional accessories**

SZ9400

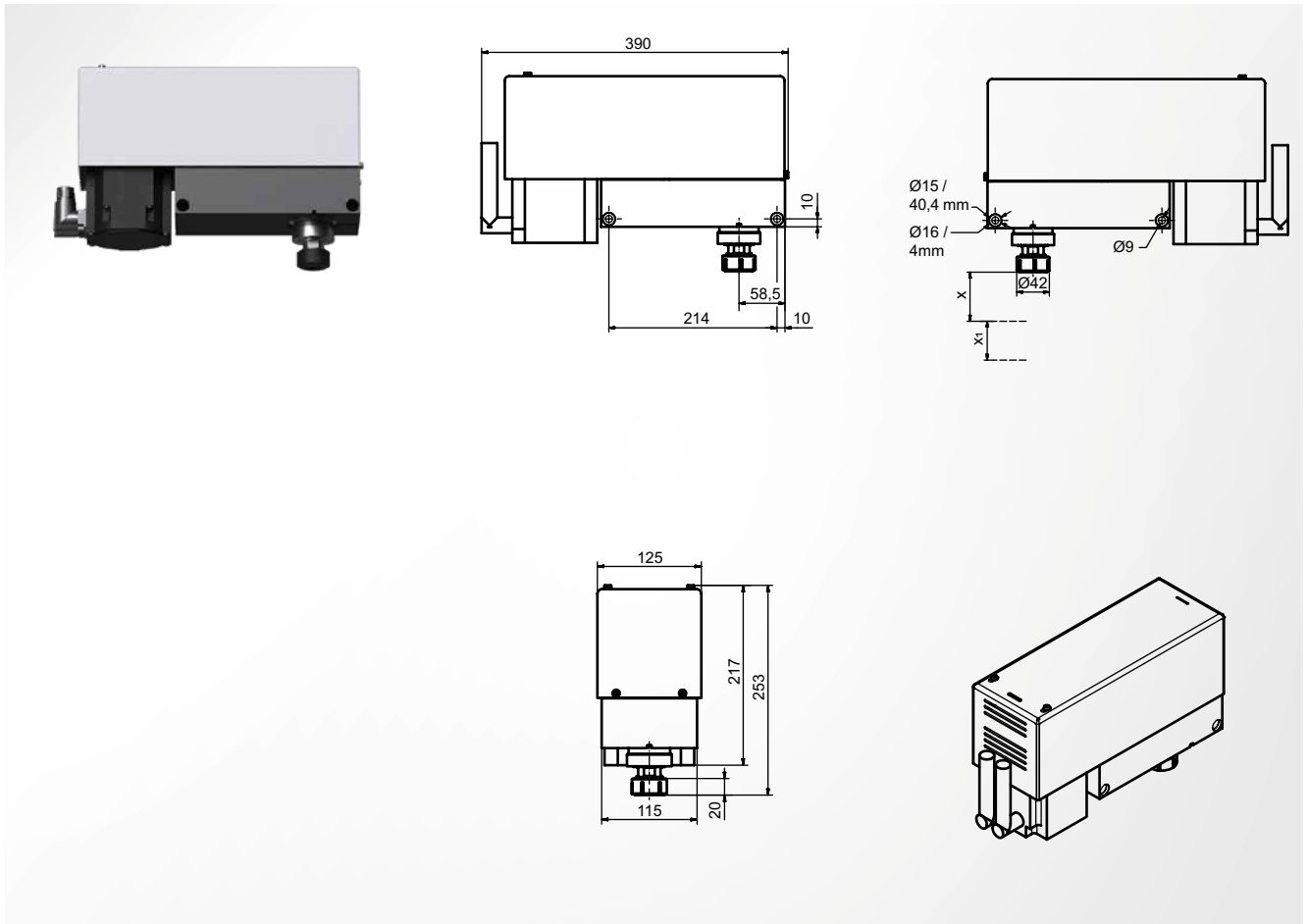
**Item number**

SZ8871.02

# SZ8871.03 Tapping unit E3

**STEINEL®**

thread M8-M26, max. thread form distance 50 mm



**Ø Thread**

8-26 mm

**Number of strokes**

up to max. 50 H/min depending on the application

**Max. torque**

40 Nm

**Max. distance**

X1 = 50 mm

**Max. overhang**

X = 63 mm

**Ø Thread former shaft**

8-16 mm

**Rotational speed up to**

1000 1/min

**Note**

Each roll tap can be used in accordance with DIN 2174

**Optional accessories**

SZ9400

**Item number**

SZ8871.03

Module system

Machine elements

Accessories

**Clamping range**

2.5-4.5 mm

**Note**

Collet with integrated square; no reducer required; each roll tap can be used in accordance with DIN 2174

Shaft diameter x square dimension	Item number
2.5 x 2.1	K300 - <b>001-1923</b>
2.8 x 2.1	K300 - <b>001-1924</b>
3.5 x 2.7	K300 - <b>001-1925</b>

Shaft diameter x square dimension	Item number
4.0 x 3.0	K300 - <b>001-1926</b>
4.5 x 3.4	K300 - <b>001-1927</b>



### Clamping range

3.5-8 mm

### Note

Each roll tap can be used in accordance with DIN 2174

Shaft diameter	Item number
3.5	SZ2702 -00001
4.5	SZ2702 -00002
6	SZ2702 -00003

Shaft diameter	Item number
7	SZ2702 -00004
8	SZ2702 -00005





**Note**

Adapter and square dimension adjustment for consistent tap protrusion

Reducer	Item number
M3	SZ2703 -00001
M4	SZ2703 -00002
M5	SZ2703 -00003

Reducer	Item number
M6	SZ2703 -00004
M3.5	SZ2703 -00005



### Note

Adapter and square dimension adjustment for consistent tap protrusion

Reducer	Item number
M4	SZ8871 <b>.01-2033</b>
M5	SZ8871 <b>.01-2034</b>

Reducer	Item number
M6	SZ8871 <b>.01-1974</b>

**Clamping range**

6-20 mm

**Note**

Each roll tap can be used in accordance with DIN 2174

Shaft diameter	Item number
6	K300 -001-1959
7	K300 -001-1960
8	K300 -001-1908
9	K300 -001-1909
10	K300 -001-1910
11	K300 -001-1911

Shaft diameter	Item number
12	K300 -001-1912
14	K300 -001-1914
16	K300 -001-1916
18	K300 -001-1918
20	K300 -001-1920



**Note**

Adapter and square dimension adjustment for consistent tap protrusion

Reducer	Item number
M9	SZ8871 <b>.02-1699</b>
M8, M11 fine, UNF 7/16	SZ8871 <b>.02-1698</b>
M7, M10 fine	SZ8871 <b>.02-1697</b>
M6 fine, M8 fine	SZ8871 <b>.02-1696</b>
M14 fine, M16 fine	SZ8871 <b>.02-1704</b>

Reducer	Item number
M14, M16	SZ8871 <b>.02-1705</b>
M12 fine	SZ8871 <b>.02-1702</b>
M12	SZ8871 <b>.02-1703</b>
M11	SZ8871 <b>.02-1701</b>
M10	SZ8871 <b>.02-1700</b>

**Clamping range**

6-20 mm

**Note**

Each roll tap can be used in accordance with DIN 2174

Shaft diameter	Item number
6	K300 -001-1959
7	K300 -001-1960
8	K300 -001-1908
9	K300 -001-1909
10	K300 -001-1910
11	K300 -001-1911

Shaft diameter	Item number
12	K300 -001-1912
14	K300 -001-1914
16	K300 -001-1916
18	K300 -001-1918
20	K300 -001-1920



**Note**

Adapter and square dimension adjustment for consistent tap protrusion

Reducer	Item number
M10	SZ8871 <b>.03-1222</b>
M11	SZ8871 <b>.03-1221</b>
M12	SZ8871 <b>.03-1219</b>
M12 fine	SZ8871 <b>.03-1218</b>
M14, M16	SZ8871 <b>.03-1216</b>
M14 fine, M16 fine	SZ8871 <b>.03-1217</b>
M18	SZ8871 <b>.03-1215</b>

Reducer	Item number
M18 fine	SZ8871 <b>.03-1213</b>
M20 fine	SZ8871 <b>.03-1212</b>
M22 fine	SZ8871 <b>.03-1211</b>
M24 fine	SZ8871 <b>.03-1210</b>
M8, M11 fine	SZ8871 <b>.03-1220</b>
M9	SZ8871 <b>.03-1223</b>



## DIN 2174

### Note

Carbide tap deliverable upon request

### Coating

**TIN** – Tensile strengths up to 1000 N/mm<sup>2</sup>, good sliding characteristics and wear-resistant; **TICN** – Tensile strengths > 800 N/mm<sup>2</sup>, high hardness and wear resistance when toughness properties are good

Thread	Core hole	Tolerance	Coating	Item number
M3 x 0.5	2.80	HX	TIN	SZ9400 <b>03 x 0.5B2</b>
			TICN	SZ9400 <b>03 x 0.5C2</b>
M4 x 0.7	3.70	HX	TIN	SZ9400 <b>04 x 0.7B2</b>
			TICN	SZ9400 <b>04 x 0.7C2</b>
M5 x 0.8	4.65	HX	TIN	SZ9400 <b>05 x 0.8B2</b>
			TICN	SZ9400 <b>05 x 0.8C2</b>
M6 x 0.5	5.80	HX	TIN	SZ9400 <b>06 x 0.5B2</b>
			TICN	SZ9400 <b>06 x 0.5C2</b>
M6 x 1	5.55	HX	TIN	SZ9400 <b>06 x 1.0B2</b>
			TICN	SZ9400 <b>06 x 1.0C2</b>
M8 x 1	7.55	HX	TIN	SZ9400 <b>08 x 1.0B2</b>
			TICN	SZ9400 <b>08 x 1.0C2</b>
M8 x 1.25	7.45	HX	TIN	SZ9400 <b>08 x 1.25B2</b>
			TICN	SZ9400 <b>08 x 1.25C2</b>
M10 x 1	9.55	HX	TIN	SZ9400 <b>10 x 1.0B2</b>
			TICN	SZ9400 <b>10 x 1.0C2</b>
M10 x 1.5	9.35	HX	TIN	SZ9400 <b>10 x 1.5B2</b>
			TICN	SZ9400 <b>10 x 1.5C2</b>
M12 x 1	11.55	HX	TIN	SZ9400 <b>12 x 1.0B2</b>
			TICN	SZ9400 <b>12 x 1.0C2</b>
M12 x 1.25	11.45	HX	TIN	SZ9400 <b>12 x 1.25B2</b>
M12 x 1.5	11.35	HX	TIN	SZ9400 <b>12 x 1.5B2</b>
			TICN	SZ9400 <b>12 x 1.5C2</b>
M12 x 1.75	11.20	HX	TIN	SZ9400 <b>12 x 1.75B2</b>
			TICN	SZ9400 <b>12 x 1.75C2</b>
UNF 7/16"-20	9.90	2B	TIN	SZ9400 <b>7/16"-20</b>